

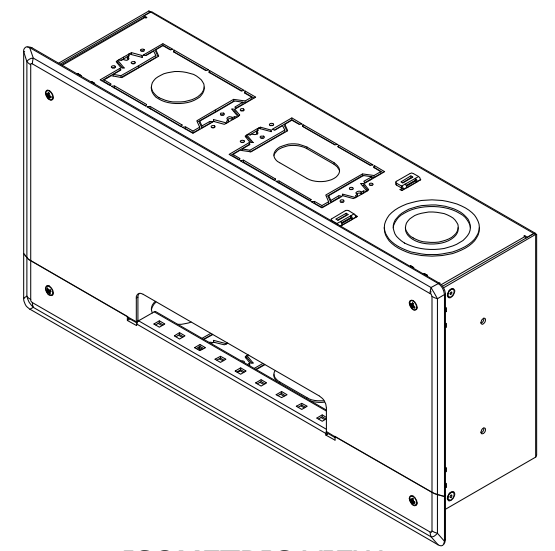
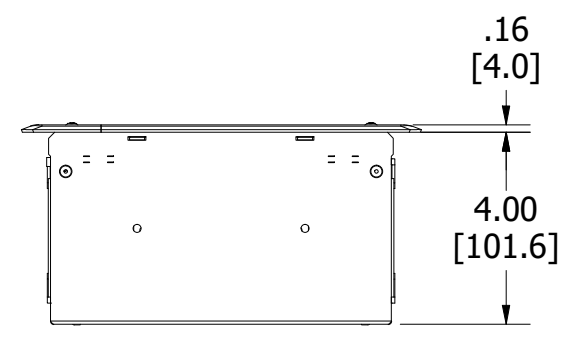
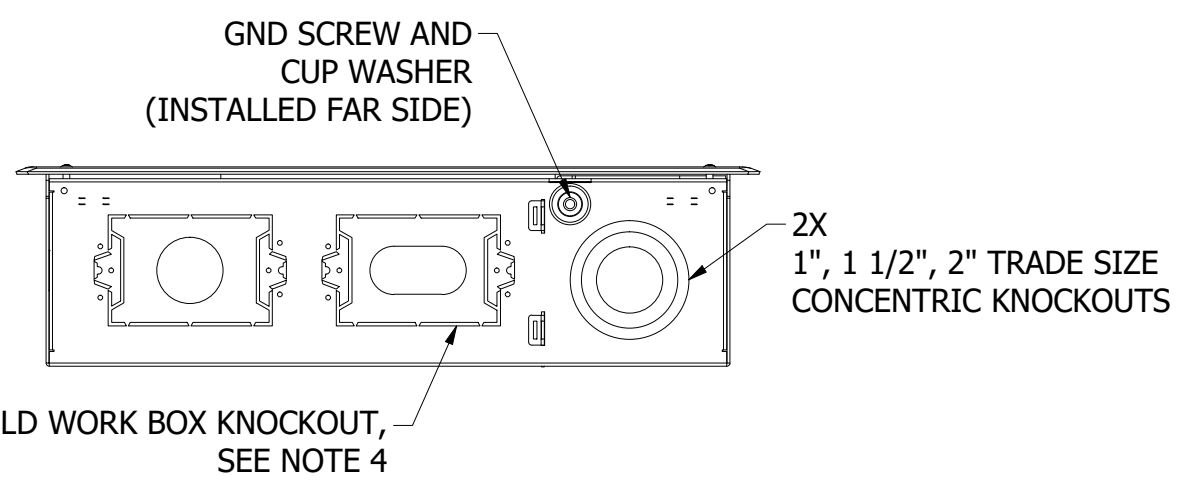
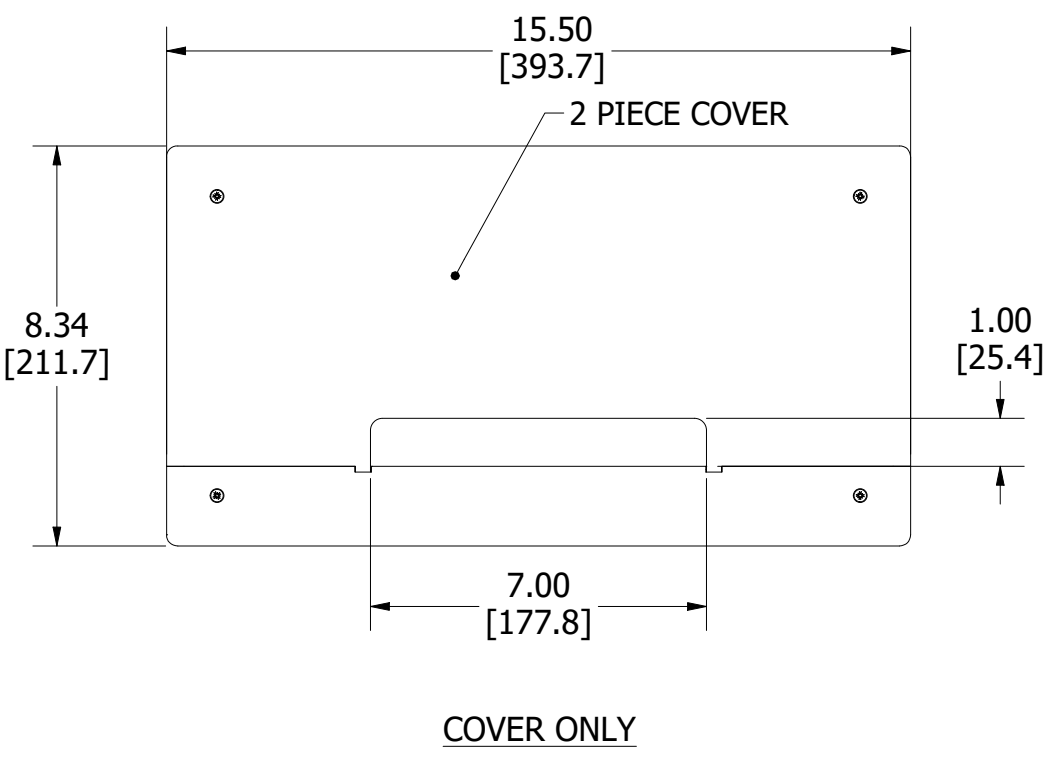
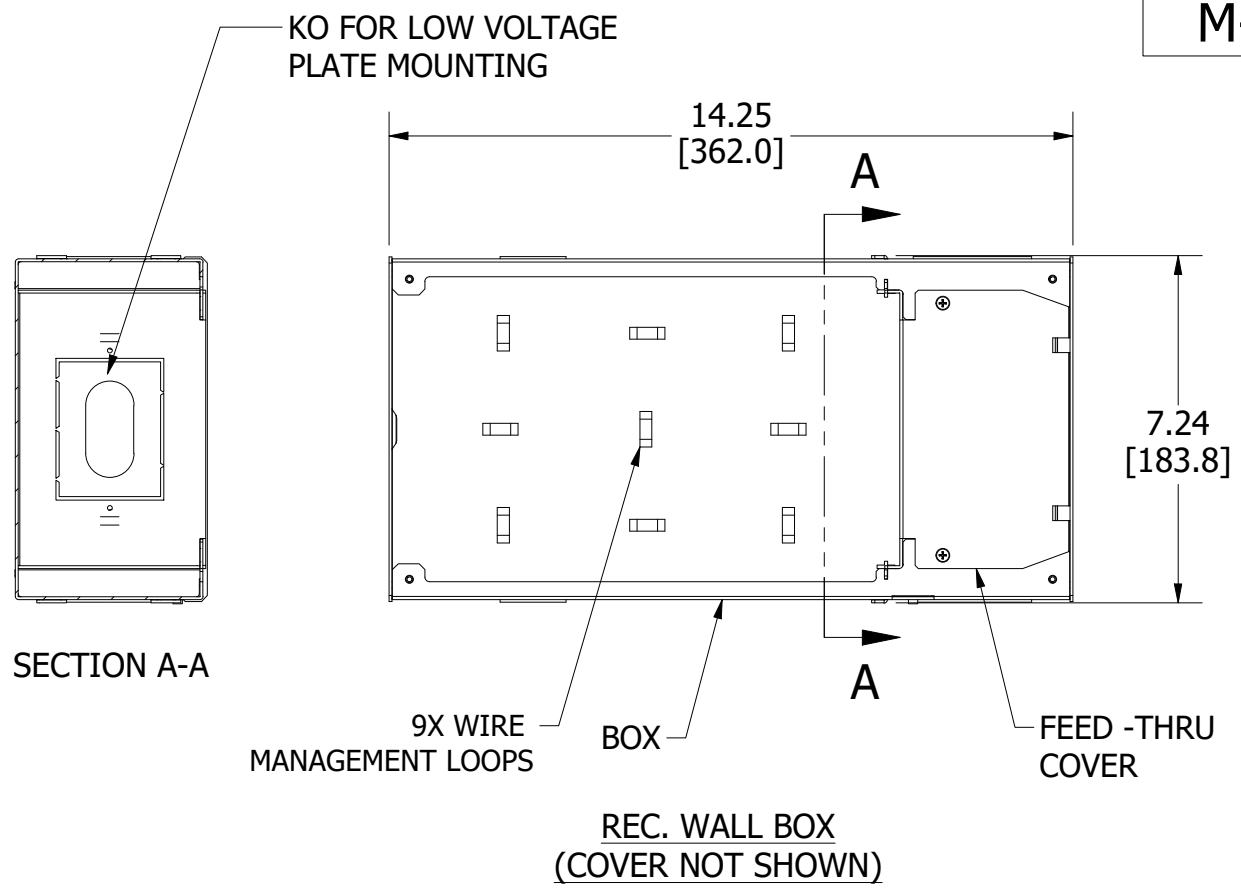
M-14483

1

LIST OF PARTS

DESCRIPTION	MATERIAL	FINISH
BOX	STEEL	ZINC
PULL-THRU COVER	STEEL	ZINC
DIVIDER	STEEL	ZINC
COVER	ALUMINUM	PAINTED
FASTENERS	STEEL	ZINC
GROMMETS	TPE	BLACK
TIE WRAPS	THERMOPLASTIC	BLACK

DIMENSION SHEET FOR CAT. NO. SEE TABLE



ISOMETRIC VIEW

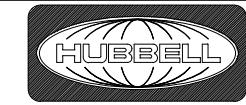
- NOTES:
1. ALL DIMENSIONS ARE IN INCHES AND [MILLIMETERS].
  2. ETL LISTED.
  3. COMPLIES WITH UL 62368-1: 2019 ED. 3.
  4. CERTIFIED TO CSA C22.2 #62368-1: 2019 ED. 3.
  5. COMPATIBLE WITH HRWB25BE075 3/4" BOX EXTENSION.
  6. COMPATIBLE WITH METALLIC OLD WORK BOXES.
  7. GROMMETS, TIE WRAPS, AND MOUNTING HARDWARE TO BE BAGGED AND PACKED LOOSE.

SKU NUMBER	DESCRIPTION
HRWB25WHT	REC WALL BOX, 2" F-THRU, 5 GANG, WHITE
HRWB25BLK	REC WALL BOX, 2" F-THRU, 5 GANG, BLACK
HRWB25WHTRC	HRWB25 REPLACEMENT COVER, WHITE
HRWB25BLKRC	HRWB25 REPLACEMENT COVER, BLACK

1	DRAWING RELEASE PER EC 221101025273 TS	SW	11/01/22
REV	DESCRIPTION	APP	DATE

THE DESIGN AND DIMENSIONS OF THE PRODUCT SHOWN ON THIS DRAWING ARE SUBJECT TO CHANGE WITHOUT NOTICE. DIMENSIONS ARE IN INCHES [mm].

TITLE  
REC WALL BOX, WITH COVER, 2" F-THRU, 5 GANG



WIRING DEVICE-KELLEMS  
HUBBELL INCORPORATED  
SHELTON, CT

TOLERANCES UNLESS OTHERWISE SPECIFIED .XX = ± .01 .XXX = ± .005 ANGLE TOL. ±2'	DR. BY VKK	SCALE 1:4
	CHK. BY SW	DATE 12/10/21

B

M-14483

1