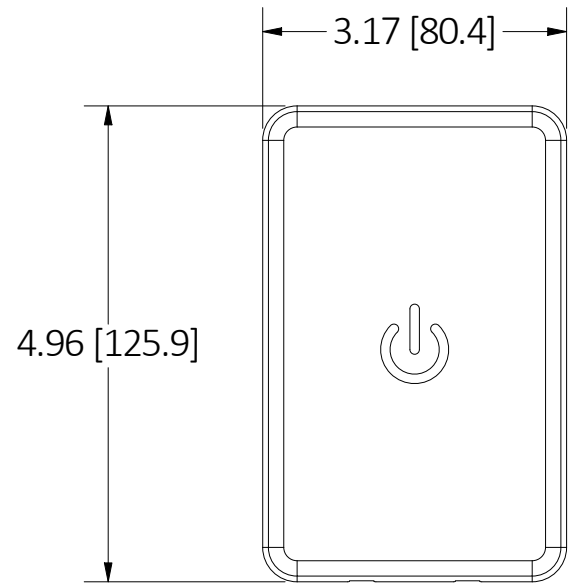
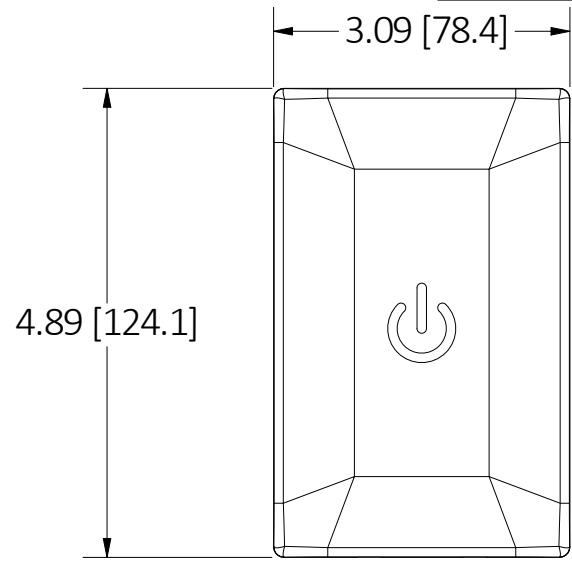


M-14506

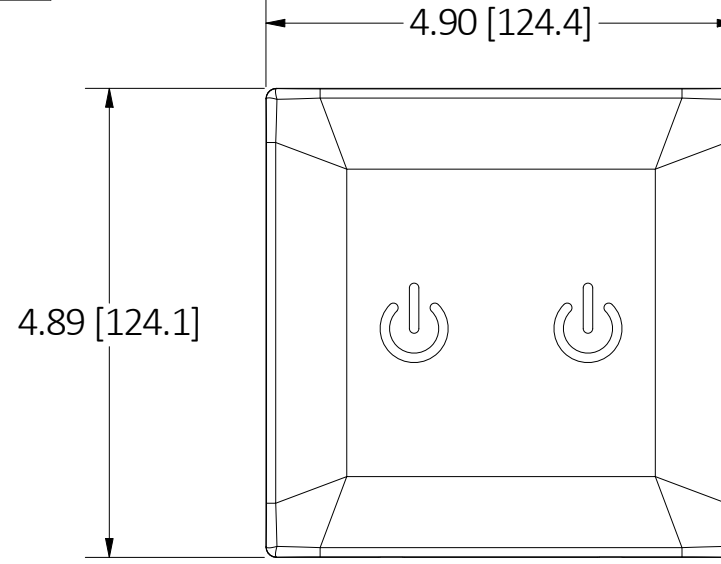
2



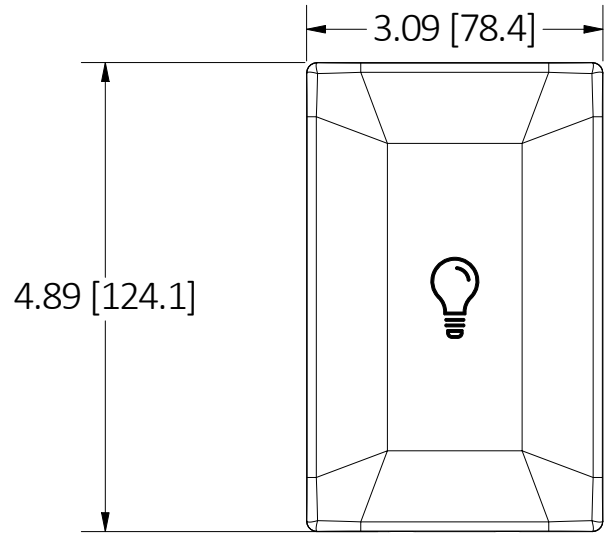
WSS1SS



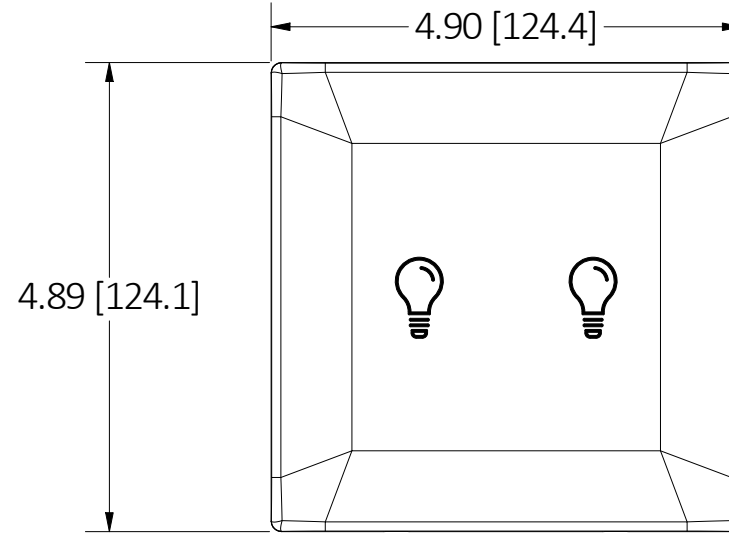
WSS1PW



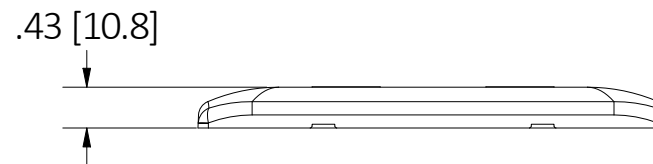
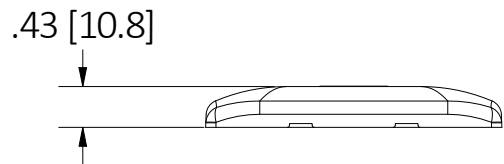
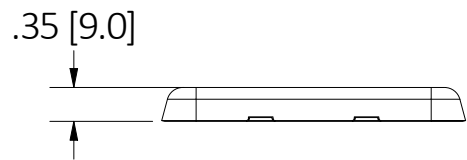
WSS2PW



WSS1PWL
WSS1PRL



WSS2PWL
WSS2PRL



NOTES:

1. ALL DIMENSIONS ARE IN INCHES [mm].

LIST OF PARTS		
DESCRIPTION	MATERIAL	FINISH
WALL PLATE	SEE TABLE PER CAT.#	SEE TABLE PER CAT.#

REV	DESCRIPTION	APP	DATE
2	ADDED ANTIMICROBIC CATALOGS PER DCN #230206027631	D.LI	2/7/23
1	NEW RELEASE PER DCN #220920024204	D.LI	7/29/22

THE DESIGN AND DIMENSIONS OF THE PRODUCT SHOWN ON THIS DRAWING ARE SUBJECT TO CHANGE WITHOUT NOTICE. DIMENSIONS ARE IN INCHES [mm].

TITLE
WALL PLATE REPLACEMENT, SCRUB TAP/TOUCH SWITCH



WIRING DEVICE-KELLEMS
HUBBELL INCORPORATED
SHELTON, CT

TOLERANCES UNLESS OTHERWISE SPECIFIED
.XX = ± .01
.XXX = ± .005
ANGLE TOL. ±2°

DR. BY D.LI SCALE 1/2
CHK. BY DATE 7/29/22

CAT.#	DESCRIPTION	MATERIAL	COLOR
WSS1SS	REPLACEMENT, SS SCRUB 1-G COVER	STAINLESS STEEL	SS
WSS1PW	REPLACEMENT, PLASTIC SCRUB 1-G COVER, WH	THERMOPLASTIC	WHITE
WSS2PW	REPLACEMENT, PLASTIC SCRUB 2-G COVER, WH	THERMOPLASTIC	WHITE
WSS1PWL	REPLACEMENT, PLASTIC SCRUB 1-G COVER, WH, LIGHT	THERMOPLASTIC, ANTIMICROBIC	WHITE
WSS1PRL	REPLACEMENT, PLASTIC SCRUB 1-G COVER, RED, LIGHT	THERMOPLASTIC, ANTIMICROBIC	RED
WSS2PWL	REPLACEMENT, PLASTIC SCRUB 2-G COVER,WH, LIGHT	THERMOPLASTIC, ANTIMICROBIC	WHITE
WSS2PRL	REPLACEMENT, PLASTIC SCRUB 2-G COVER,RED, LIGHT	THERMOPLASTIC, ANTIMICROBIC	RED