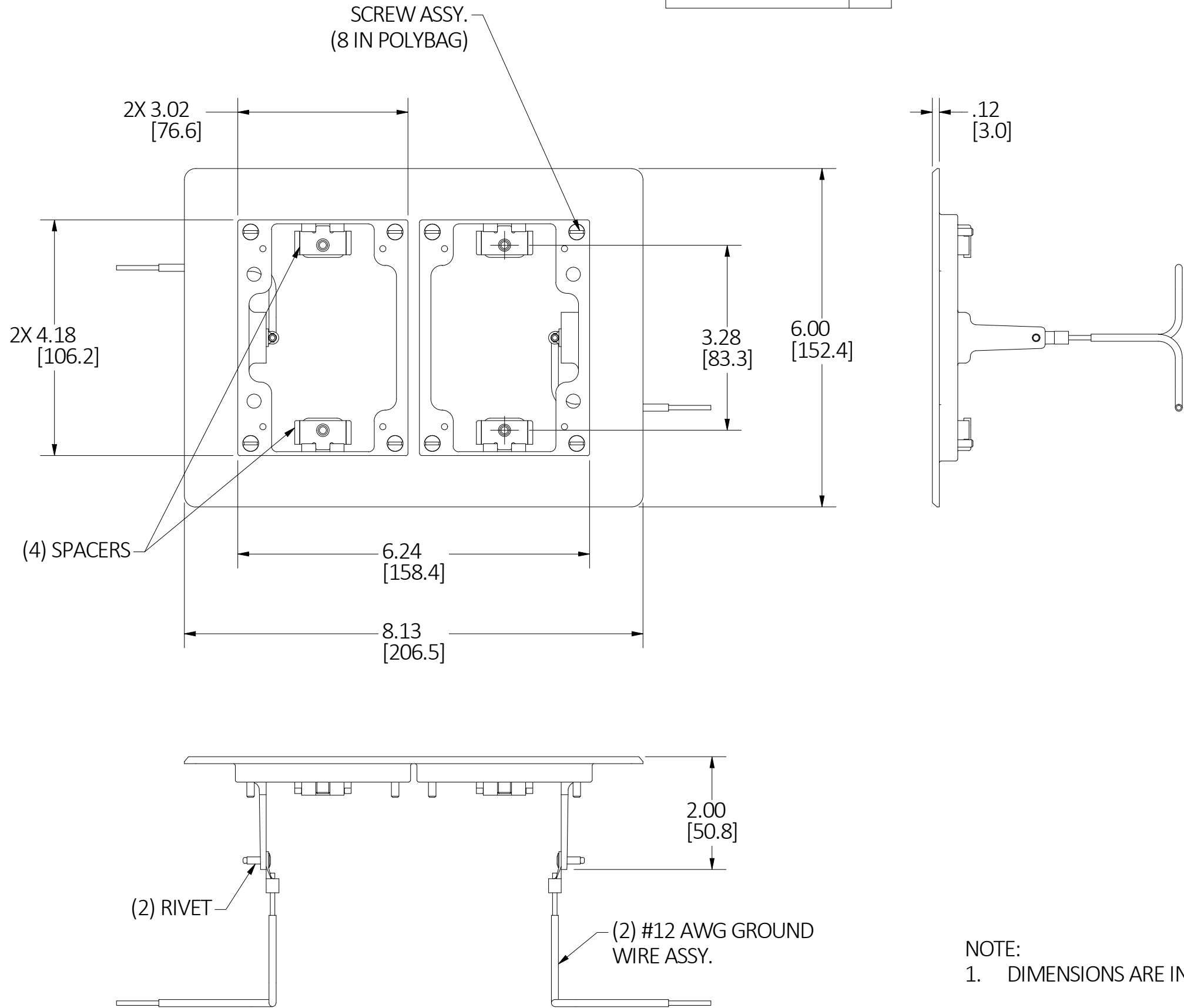


M-14515

1



NOTE:
1. DIMENSIONS ARE IN INCHES [MM].


LIST OF PARTS

DESCRIPTION	MATERIAL	FINISH
FLANGE	SEE TABLE	BRUSHED
SPACER	POLYESTER	GRAY
#6-32 SCREW MTG.	STEEL	ZINC PLATE
GROUND WIRE ASSY	#12 AWG CU	INSULATED
RIVET	BRASS	

1	INITIAL RELEASE PER DCN #220422019408	SW	4/19/22
REV	DESCRIPTION	APP	DATE

THE DESIGN AND DIMENSIONS OF THE PRODUCT SHOWN ON THIS DRAWING ARE SUBJECT TO CHANGE WITHOUT NOTICE. DIMENSIONS ARE IN INCHES [mm].

TITLE
2 GANG FLANGE FOR RECTANGULAR FLOOR BOX

 WIRING DEVICE-KELLEMS
HUBBELL INCORPORATED
SHELTON, CT

TOLERANCES UNLESS OTHERWISE SPECIFIED .XX = ± .01 .XXX = ± .005 ANGLE TOL. ±2'	DR. BY PSV	SCALE 1 / 2
	CHK. BY SW	DATE 4/19/22

TABLE		
CATALOG NO.	DESCRIPTION	FLANGE MATERIAL
SB3084WB	FLAT FLANGE, 2-G, RECT, BRS, BEVEL EDGE	BRASS
SA3084WB	FLAT FLANGE, 2-G, RECT, ALU, BEVEL EDGE	ALUMINUM

DIMENSION SHEET FOR CAT. NO. M-14515
SEE TABLE
B
M-14515
1