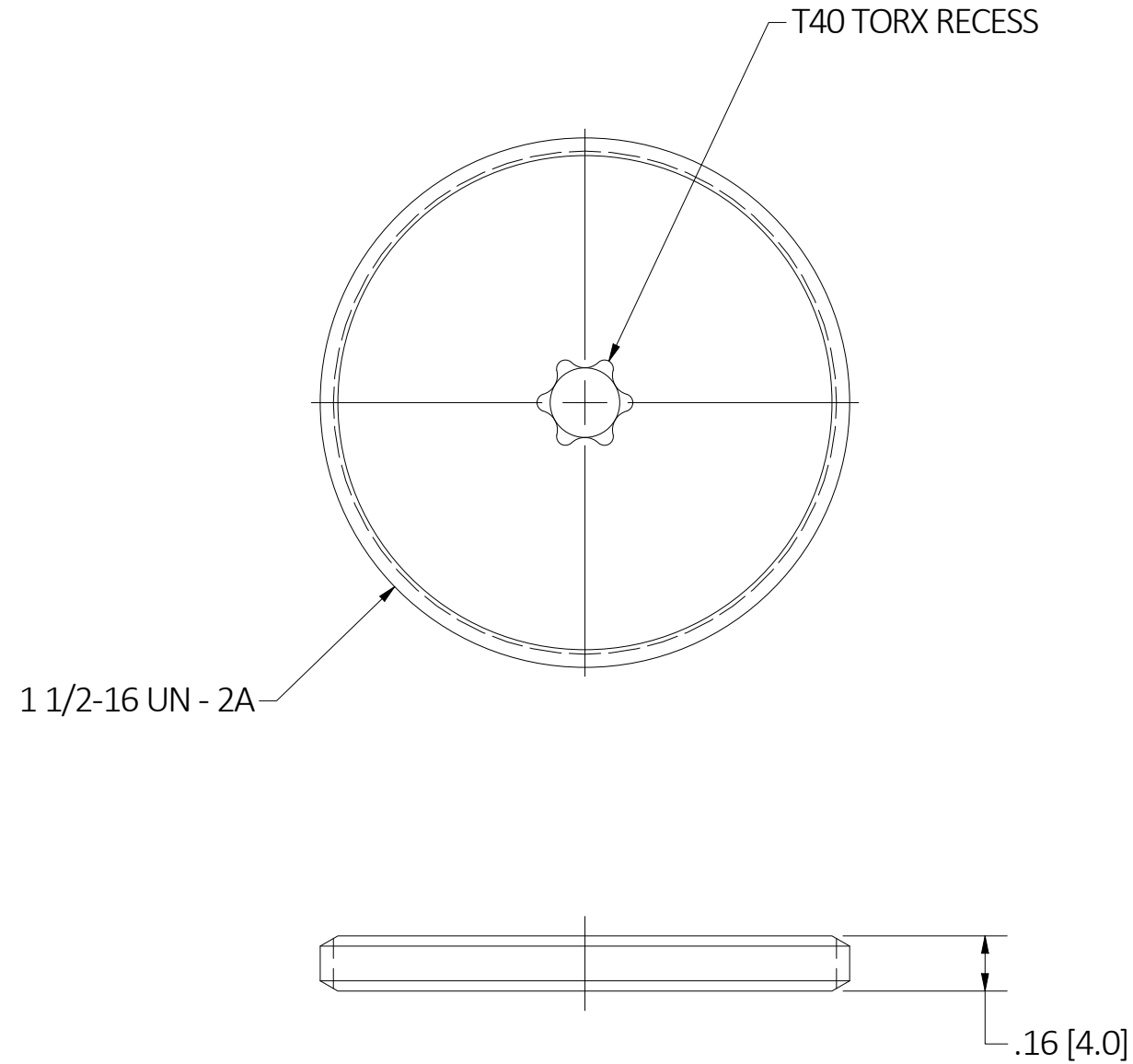


M-14530

1




LIST OF PARTS

DESCRIPTION	MATERIAL	FINISH
TORX FLUSH PLUG	SEE TABLE	BRUSHED

1	INITIAL RELEASE PER DCN #220422019408	SW	4/25/22
REV	DESCRIPTION	APP	DATE

THE DESIGN AND DIMENSIONS OF THE PRODUCT SHOWN ON THIS DRAWING ARE SUBJECT TO CHANGE WITHOUT NOTICE. DIMENSIONS ARE IN INCHES [mm].

TITLE
TORX FLUSH PLUG



WIRING DEVICE-KELLEMS
HUBBELL INCORPORATED
SHELTON, CT

TOLERANCES UNLESS OTHERWISE SPECIFIED .XX = ± .01 .XXX = ± .005 ANGLE TOL. ±2'	DR. BY PSV	SCALE 2:1
	CHK. BY SW	DATE 4/25/22

TABLE		
CATALOG No.	DESCRIPTION	TORX FLUSH PLUG
S5007TR	T40 TORX SLOT, BRASS	BRASS
SA5007TR	T40 TORX SLOT, ALUM	ALUMINUM

NOTE:
1. DIMENSIONS ARE IN INCHES [MM].

DIMENSION SHEET FOR CAT. NO. **M-14530** **1**