

M-14544

1

PLUNGER DOWN

1.37
[34.7]

1.33
[33.7]

4.18
[106.2]

3.28
[83.4]

.76
[19.3]

1.50
[38.1]

PLUNGER UP

LISTING MARKINGS
SEE NOTE 2 & 3

AMPERAGE
RATING

GALVANIZED
ZINC PLATE
TYP

2X #6-32
TAPPED HOLES
TYP

COVER

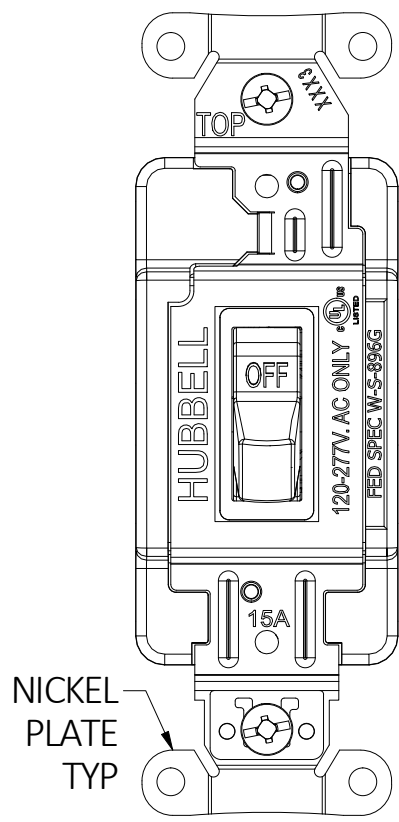
TOGGLE HANDLE
SEE TABLE 1

GROUND
(GREEN
PLUNGER)

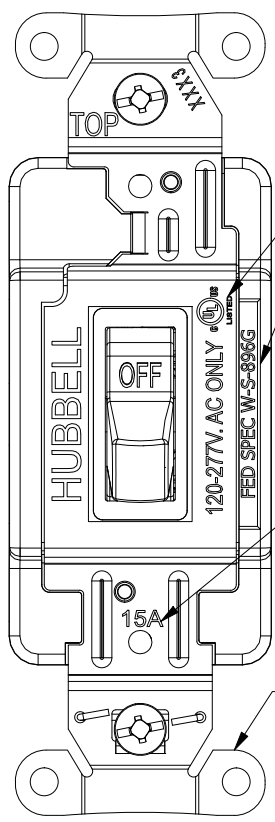
TRAVELER
(BLACK PLUNGER)

COMMON / DOWNSTREAM
(RED PLUNGER)

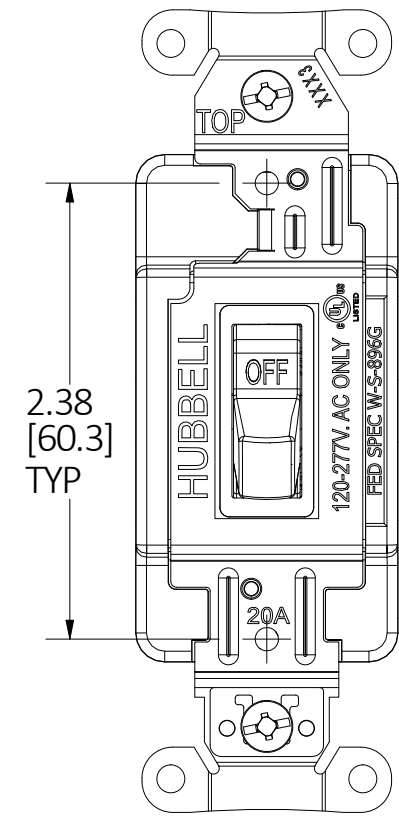
CSB120STBK
SHOWN



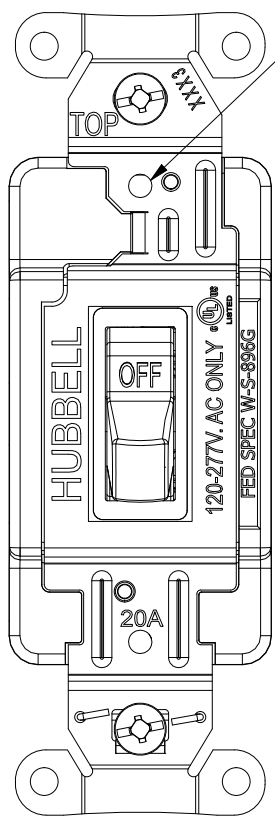
HBL1201STXX
15A INDUSTRIAL



CSB115STXX
15A COMMERCIAL



HBL1221STXX
20A INDUSTRIAL



CSB120STXX
20A COMMERCIAL

2.38
[60.3]
TYP

EDGE CONNECT SINGLE-POLE TOGGLE 120-277 VAC

CATALOG NO.	DESCRIPTION	AMP RATING	COVER COLOR	TOGGLE COLOR
HBL1201STXX	INDUSTRIAL	15A	BLUE	SEE TABLE 1
HBL1221STXX	INDUSTRIAL	20A	RED	SEE TABLE 1
CSB115STXX	COMMERCIAL	15A	BLUE	SEE TABLE 1
CSB120STXX	COMMERCIAL	20A	RED	SEE TABLE 1

NOTES:

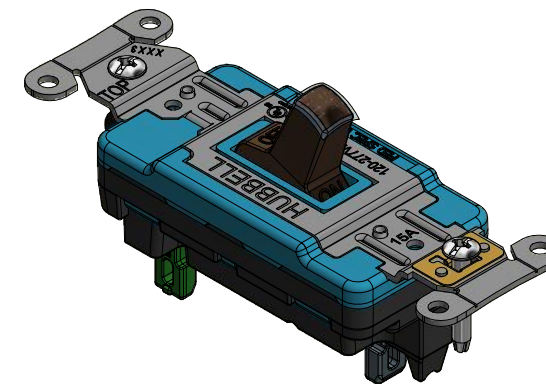
- cULus LISTED - APPROVED IN US AND CANADA
- MEETS UL20, UL486E, CSA C22.2 No.111 & FED SPEC W-S-896-G

TABLE 1: SUFFIX

TOGGLE COLOR	-XX
BROWN	---
IVORY	I
GRAY	GY
WHITE	W
RED	R
BLACK	BK
LIGHT ALMOND	LA

LIST OF PARTS

DESCRIPTION	MATERIAL	FINISH
HOUSINGS	PC	---
TOGGLE/HANDLE	NYLON	---
PLUNGER	NYLON	---
BRIDGE	STEEL	NICKEL OR ZINC
SCREWS	STEEL	---
TERMINALS	BRONZE	---
CONTACTS	CU/SILVER LAMINATED	POLISHED
SPRING CLAMP	ALLOY	---

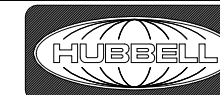


ISO VIEW
SCALE 3:4

1	RELEASE TO PRODUCTION PER EC230412029445 BP	KP	4/20/23
REV	DESCRIPTION	APP	DATE

THE DESIGN AND DIMENSIONS OF THE PRODUCT SHOWN ON THIS DRAWING ARE SUBJECT TO CHANGE WITHOUT NOTICE. DIMENSIONS ARE IN INCHES [mm].

TITLE
CUSTOMER DRAWING
SINGLE POLE 15A/20A
EDGE CONNECT SWITCH



WIRING DEVICE-KELLEMS
HUBBELL INCORPORATED
SHELTON, CT

TOLERANCES UNLESS OTHERWISE SPECIFIED
.XX = ± .01
.XXX = ± .005
ANGLE TOL. ±2°

DR. BY	BP	SCALE	1 : 1
CHK. BY	KP	DATE	1/4/22

DIMENSION SHEET FOR CAT. NO. SEE TABLE

B

M-14544

1