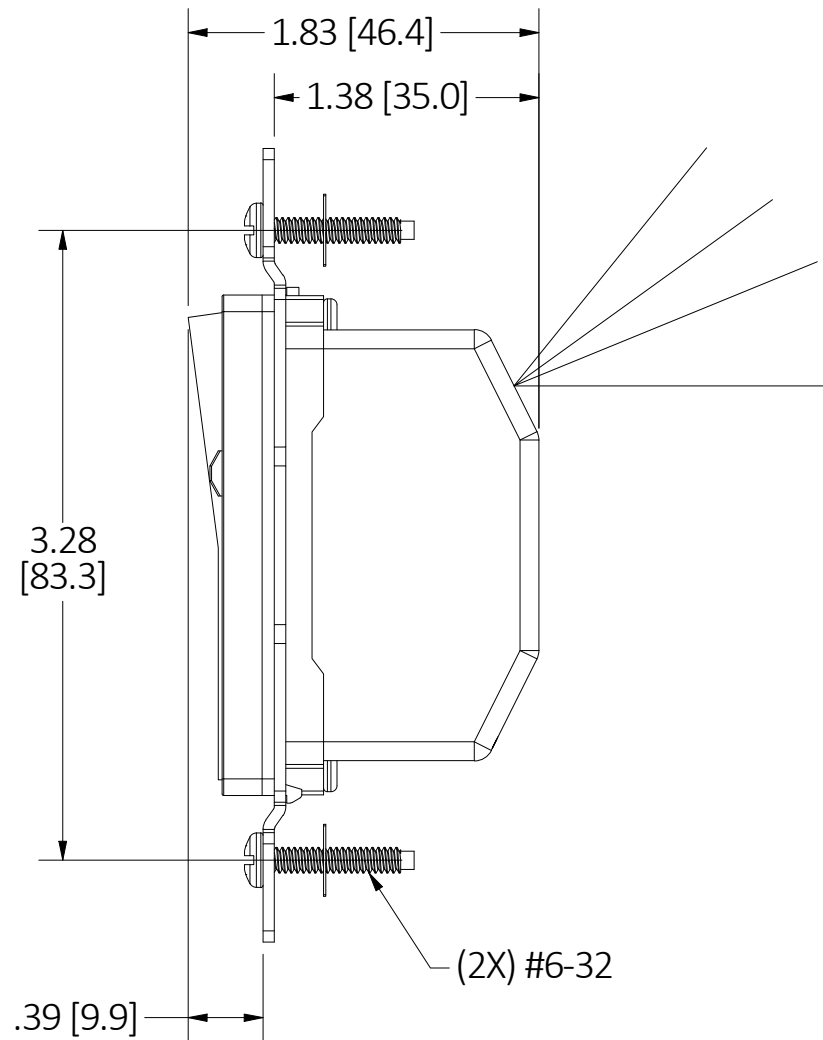
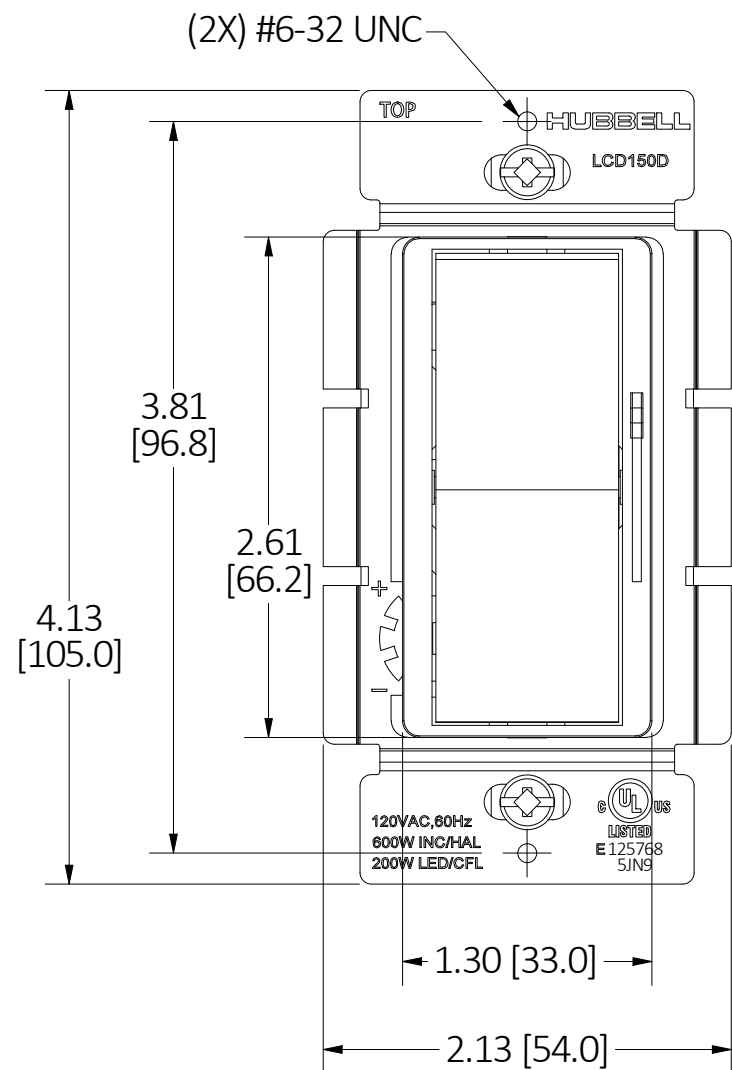


M-14552

1



(2) RED, (1) BLACK & (1) GREEN #18 LEAD WIRES, 6" LONG

NOTES:

- INPUT RATING: 120VAC, 60Hz;
SWITCH TYPE: SINGLE POLE & 3-WAY.
RATING: LED/CFL 200W OR INC/HAL 600W.
WIRE NUT PROVIDED.
- ALL DIMENSIONS ARE IN INCHES [mm].

LIST OF PARTS

DESCRIPTION	MATERIAL	FINISH
ROCKER	THERMOPLASTIC	COLOR PER CAT.#
SLIDER	THERMOPLASTIC	COLOR PER CAT.#
FACE COVER	THERMOPLASTIC	COLOR PER CAT.#
BASE	THERMOPLASTIC	BLACK
YOKE	ALUMINUM	
MOUNTING SCREW	STEEL	Zn PLATE

DIMENSION SHEET FOR CAT. NO. SEE TABLE

1	NEW RELEASE PER DCN#220711021929. D.LI		6/8/22
REV	DESCRIPTION	APP	DATE

THE DESIGN AND DIMENSIONS OF THE PRODUCT SHOWN ON THIS DRAWING ARE SUBJECT TO CHANGE WITHOUT NOTICE. DIMENSIONS ARE IN INCHES [mm].

TITLE
ROCKER DIMMER, SP/3WAY



WIRING DEVICE-KELLEMS
HUBBELL INCORPORATED
SHELTON, CT

TOLERANCES UNLESS OTHERWISE SPECIFIED .XX = ± .01 .XXX = ± .005 ANGLE TOL. ±2'	DR. BY D.LI	SCALE 1:1
	CHK. BY	DATE 6/8/22

B

M-14552

1

CAT.#	DESCRIPTION	COLOR
LCD150DW	DIM ROCKER SP&3W 200W LED/CFL WH	WHITE
LCD150DI	DIM ROCKER SP&3W 200W LED/CFL IV	IVORY
LCD150DLA	DIM ROCKER SP&3W 200W LED/CFL LA	LIGHT ALMOND