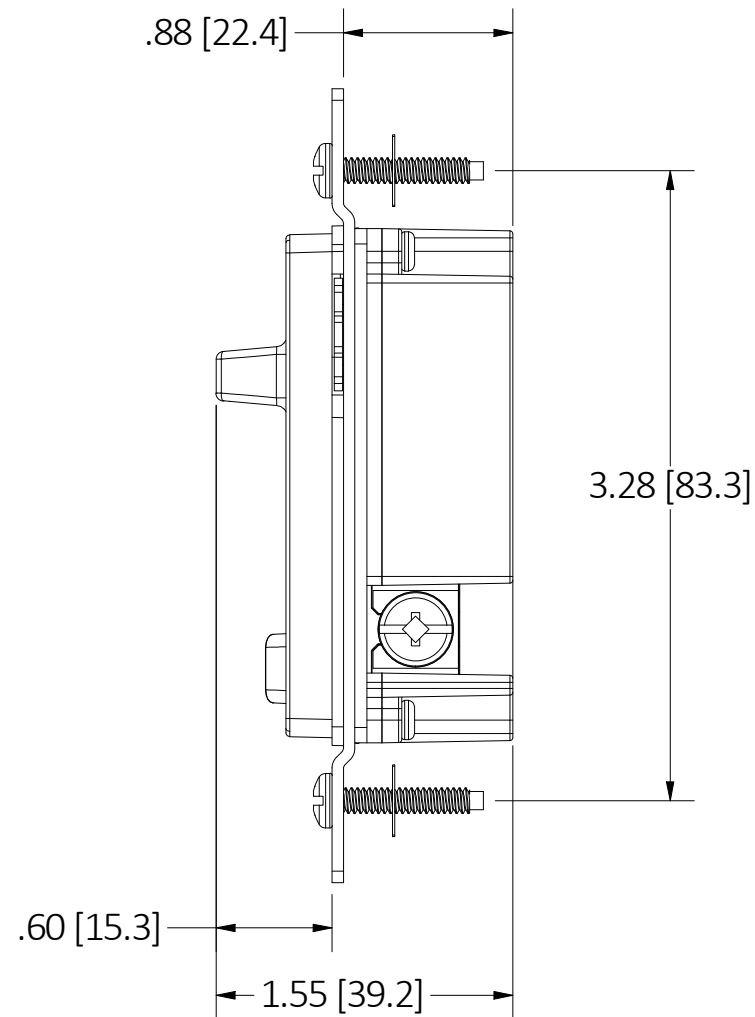
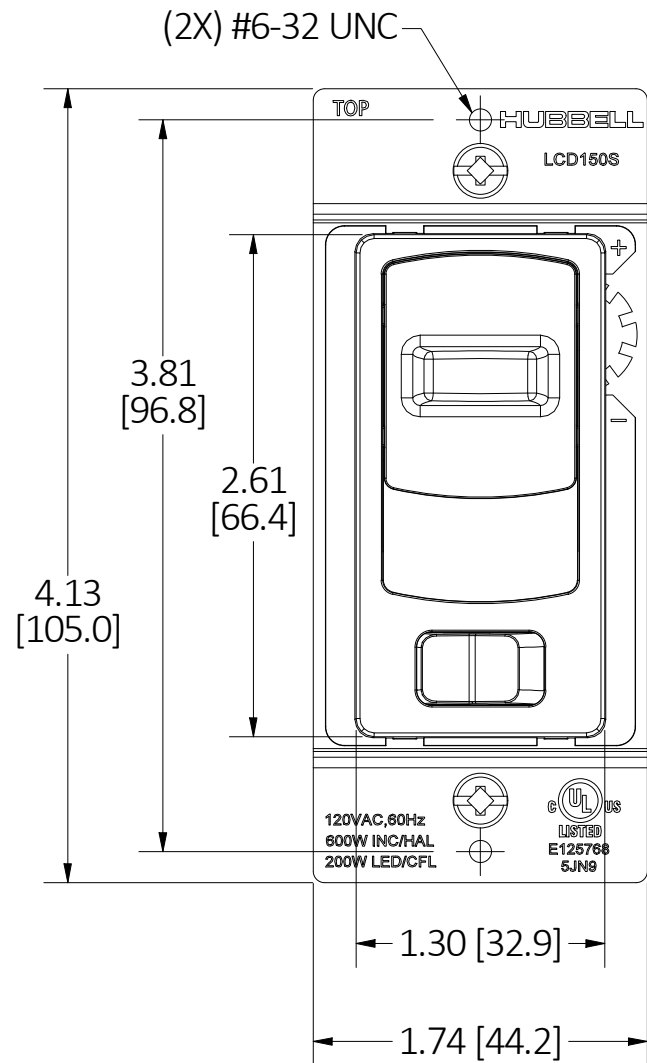


M-14553

1



LIST OF PARTS		
DESCRIPTION	MATERIAL	FINISH
ROCKER	THERMOPLASTIC	COLOR PER CAT.#
SLIDER	THERMOPLASTIC	COLOR PER CAT.#
FACE COVER	THERMOPLASTIC	COLOR PER CAT.#
BASE	THERMOPLASTIC	BLACK
YOKE	ALUMINUM	
TERMINALS	BRASS	
MOUNTING SCREW	STEEL	Zn PLATE
GR. SCREW	STEEL	Zn PLATE + GREEN DYE
BLACK SCREW	STEEL	Zn PLATE + BLACK DYE
BRASS SCREW	STEEL	BRASS PLATE


NOTES:

- INPUT RATING: 120VAC, 60Hz;
SWITCH TYPE: SINGLE POLE & 3-WAY.
RATING: LED/CFL 200W OR INC/HAL 600W.
TERMINAL TYPE: SCREW TERMINAL (BACK & SIDE).
TERMINAL CAPACITY: #14-#12.
- ALL DIMENSIONS ARE IN INCHES [mm].

1	NEW RELEASE PER DCN#220711021929. D.LI		6/8/22
REV	DESCRIPTION	APP	DATE

THE DESIGN AND DIMENSIONS OF THE PRODUCT SHOWN ON THIS DRAWING ARE SUBJECT TO CHANGE WITHOUT NOTICE. DIMENSIONS ARE IN INCHES [mm].

TITLE
SLIDER DIMMER, SP/3WAY

 WIRING DEVICE-KELLEMS
HUBBELL INCORPORATED
SHELTON, CT

TOLERANCES UNLESS OTHERWISE SPECIFIED .XX = ± .01 .XXX = ± .005 ANGLE TOL. ±2°	DR. BY D.LI	SCALE 1 : 1
	CHK. BY	DATE 6/8/22

CAT.#	DESCRIPTION	COLOR
LCD150SW	DIM SLIDER SP&3W 200W LED/CFL WH	WHITE
LCD150SI	DIM SLIDER SP&3W 200W LED/CFL IV	IVORY
LCD150SLA	DIM SLIDER SP&3W 200W LED/CFL LA	LIGHT ALMOND