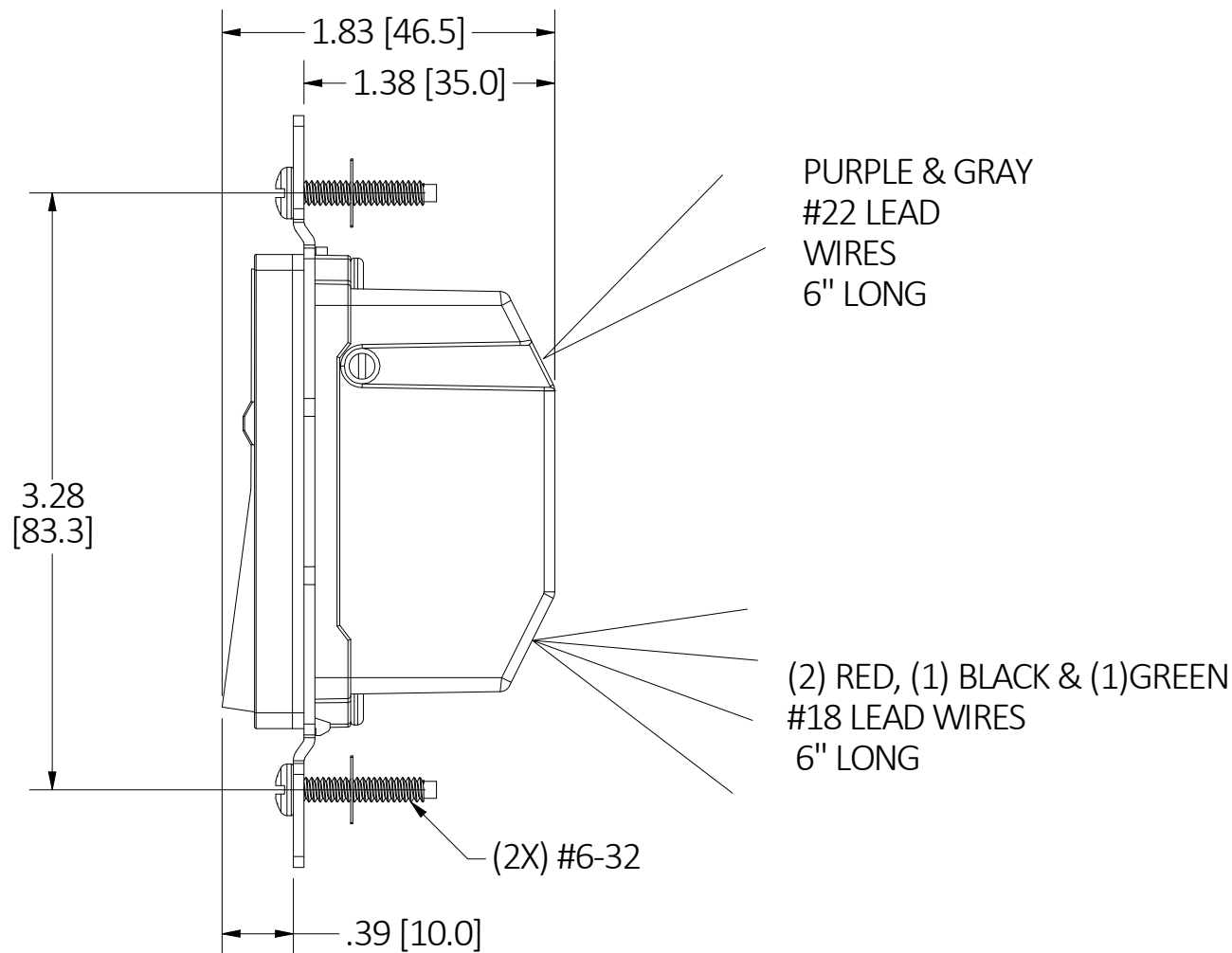
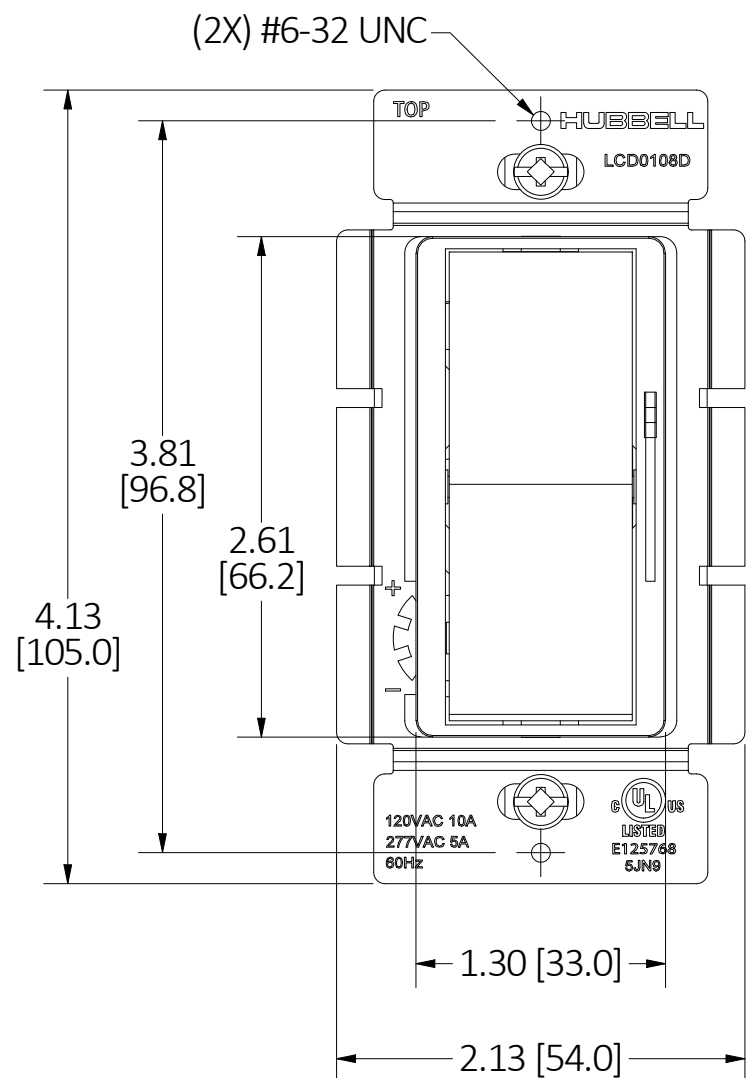


M-14554

1



LIST OF PARTS		
DESCRIPTION	MATERIAL	FINISH
ROCKER	THERMOPLASTIC	COLOR PER CAT.#
SLIDER	THERMOPLASTIC	COLOR PER CAT.#
FACE COVER	THERMOPLASTIC	COLOR PER CAT.#
BASE	THERMOPLASTIC	BLACK
YOKE	ALUMINUM	
MOUNTING SCREW	STEEL	Zn PLATE

DIMENSION SHEET FOR CAT. NO. SEE TABLE


NOTES:

- INPUT RATING: 120-277VAC, 60Hz;
SWITCH TYPE: SINGLE POLE & 3-WAY.
RATING: LED/CFL/ELECTRONIC SELF-BALLASTED 120VAC 10A OR 277VAC 5A.
WIRE NUT PROVIDED.
- ALL DIMENSIONS ARE IN INCHES [mm].

1	NEW RELEASE PER DCN#220711021929 D.LI		6/8/22
REV	DESCRIPTION	APP	DATE

THE DESIGN AND DIMENSIONS OF THE PRODUCT SHOWN ON THIS DRAWING ARE SUBJECT TO CHANGE WITHOUT NOTICE. DIMENSIONS ARE IN INCHES [mm].

TITLE
ROCKER DIMMER, SP&3WAY, 0-10V

 WIRING DEVICE-KELLEMS
HUBBELL INCORPORATED
SHELTON, CT

TOLERANCES UNLESS OTHERWISE SPECIFIED .XX = ± .01 .XXX = ± .005 ANGLE TOL. ±2'	DR. BY D.LI	SCALE 1:1
	CHK. BY	DATE 6/8/22

CAT.#	DESCRIPTION	COLOR
LCD0108DW	DIM ROCKER SP&3W 0-10V LED WH	WHITE
LCD0108DI	DIM ROCKER SP&3W 0-10V LED IV	IVORY
LCD0108DLA	DIM ROCKER SP&3W 0-10V LED LA	LIGHT ALMOND