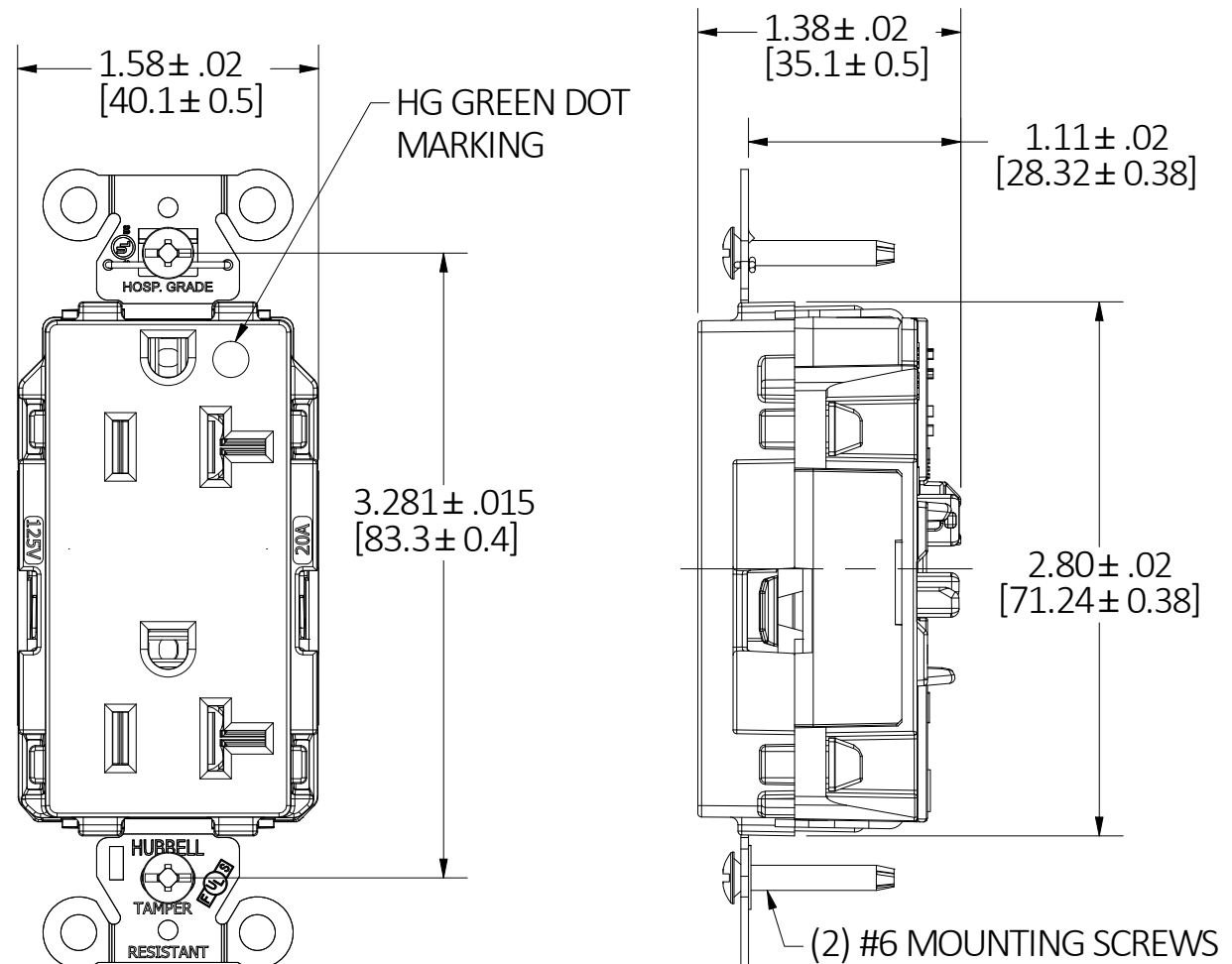
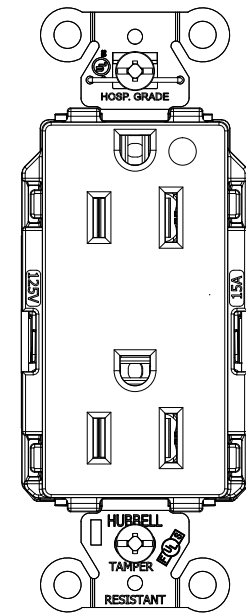


M-14572

1

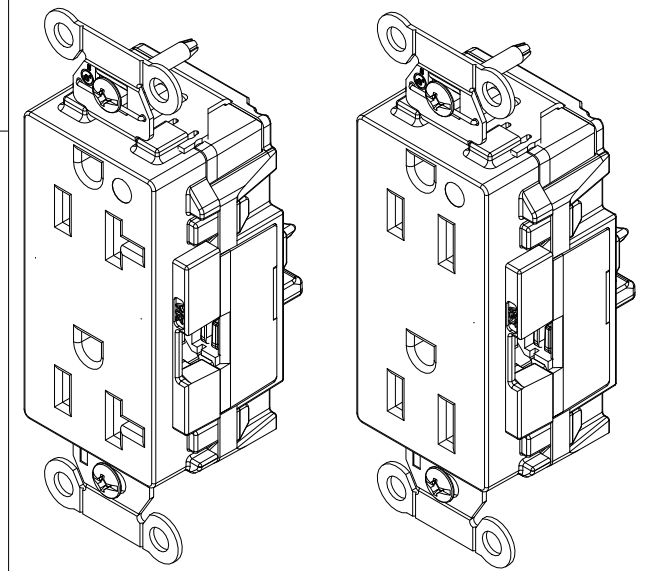


20A/125V DEVICE SHOWN



15A/125V

LIST OF PARTS		
DESCRIPTION	MATERIAL	FINISH
TOP COVER	PC	-
TR ASSEMBLY	ACETAL/SS	-
BASE	PC	-
BRIDGE	.04 GALV. STL.	-
GROUND CONTACTS	COPPER ALLOY	-
LINE CONTACTS	COPPER ALLOY	-
REAR COVER	PC	-
PLUNGER	NYLON	-
SPRING	STAINLESS STEEL	-
STAPLE	STAINLESS STEEL	-
WASHER	PVC FILM	BLACK
GROUND STRAP	COPPER ALLOY	-
MOUNTING SCREW	STEEL	ZINC PLATE



CATALOG NO: HBL2182STTR CATALOG NO: HBL2172STTR
(NOT SHOWN TO SCALE) (NOT SHOWN TO SCALE)

1	RELEASED PER DCN 221107025442 SIV WHD	WHD	11/07/22
REV	DESCRIPTION	APP	DATE

HUBBELL CATALOG NUMBERS

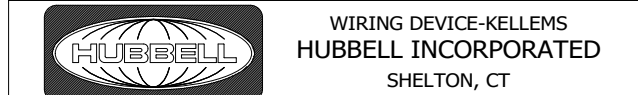
CONFIGURATION	BLACK	BLUE	BROWN	GRAY	IVORY	LT. ALMOND	RED	WHITE	GREEN	ORANGE
15A	HBL2172STBKTR	HBL2172STBLTR	HBL2172STTR	HBL2172STGYTR	HBL2172STITR	HBL2172STLATR	HBL2172STRTR	HBL2172STWTR	HBL2172STGNTR	HBL2172STOTR
20A	HBL2182STBKTR	HBL2182STBLTR	HBL2182STTR	HBL2182STGYTR	HBL2182STITR	HBL2182STLATR	HBL2182STRTR	HBL2182STWTR	HBL2182STGNTR	HBL2182STOTR

GENERAL NOTES:

1. DIMENSIONS ARE IN INCHES [MM].
2. ALL DEVICES UL LISTED, CSA & FED. SPEC. CERTIFIED
3. TERMINALS ACCOMMODATE #14 - #10 AWG COPPER WIRE ONLY.

THE DESIGN AND DIMENSIONS OF THE PRODUCT SHOWN ON THIS DRAWING ARE SUBJECT TO CHANGE WITHOUT NOTICE. DIMENSIONS ARE IN INCHES [mm].

TITLE
DECORATOR RECEPTACLE, EdgeConnect, 15A & 20A, TR, HOSPITAL GRADE



TOLERANCES UNLESS OTHERWISE SPECIFIED .XX = ± .01 .XXX = ± .005 ANGLE TOL. ±2'	DR. BY SIV CHK. BY WHD	SCALE 1:1 DATE 06/29/22
---	---------------------------	----------------------------

DIMENSION SHEET FOR CAT. NO. SEE TABLE

B

M-14572

1