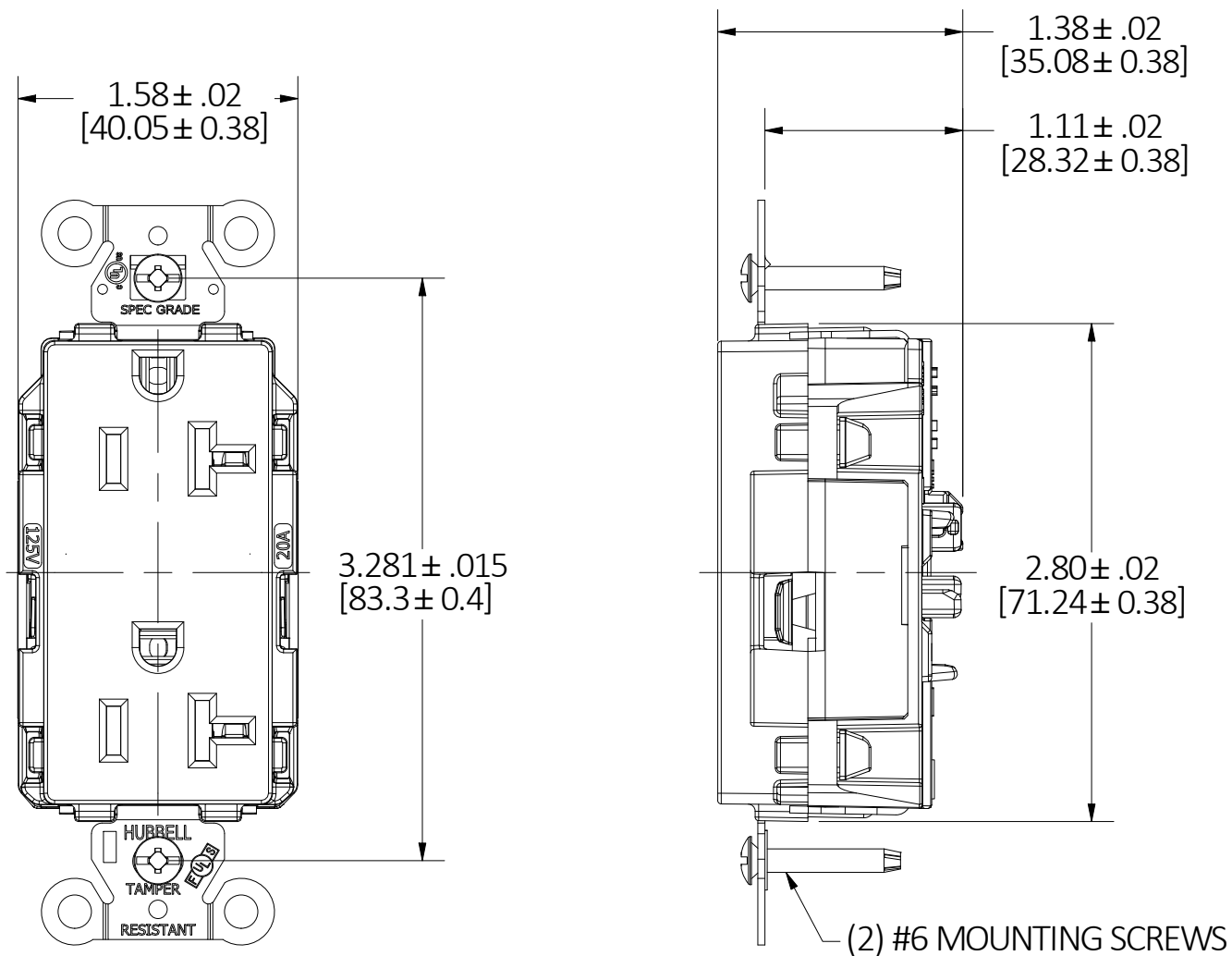
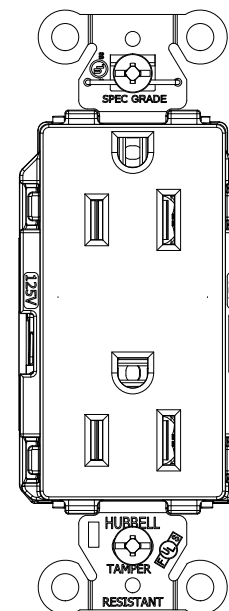


M-14574

1

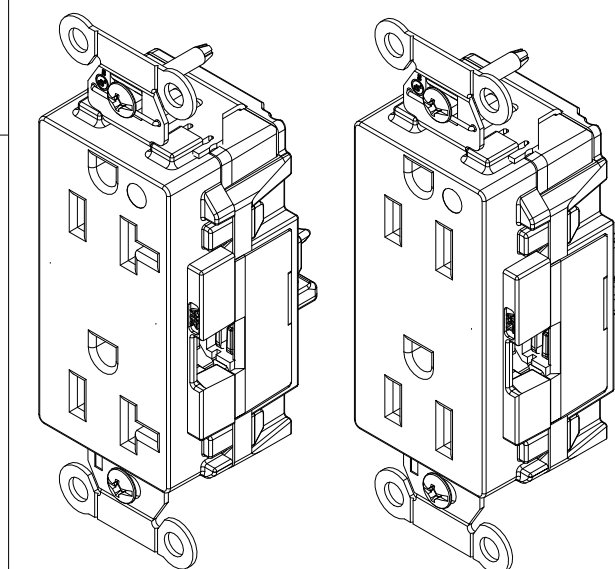


20A/125V DEVICE SHOWN



15A/125V

LIST OF PARTS		
DESCRIPTION	MATERIAL	FINISH
TOP COVER	PC	-
TR ASSEMBLY	ACETAL/SS	-
BASE	PC	-
BRIDGE	GALV STEEL	-
GROUND CONTACTS	COPPER ALLOY	-
LINE CONTACTS	COPPER ALLOY	-
REAR COVER	PC	-
PLUNGER	NYLON	-
SPRING	STAINLESS STEEL	-
STAPLE	STAINLESS STEEL	-
WASHER	PVC FILM	BLACK
GROUND STRAP	COPPER ALLOY	-
MOUNTING SCREW	STEEL	ZINC PLATE



CATALOG NO: HBL2162STTR (NOT SHOWN TO SCALE) CATALOG NO: HBL2152STTR (NOT SHOWN TO SCALE)

1	INITIAL RELEASE PER DCN 221107025442 SIV	WHD	11/22/22
REV	DESCRIPTION	APP	DATE

THE DESIGN AND DIMENSIONS OF THE PRODUCT SHOWN ON THIS DRAWING ARE SUBJECT TO CHANGE WITHOUT NOTICE. DIMENSIONS ARE IN INCHES [mm].

TITLE
DECORATOR RECEPTACLE, EdgeConnect, 15A & 20A, TR, FED SPEC



WIRING DEVICE-KELLEMS
HUBBELL INCORPORATED
SHELTON, CT

TOLERANCES UNLESS OTHERWISE SPECIFIED .XX = ± .01 .XXX = ± .005 ANGLE TOL. ±2'	DR. BY SIV CHK. BY WHD	SCALE 1:1 DATE 06/29/22
---	---------------------------	----------------------------

HUBBELL CATALOG NUMBERS										
CONFIGURATION	BLACK	BLUE	BROWN	GRAY	IVORY	LT. ALMOND	RED	WHITE	GREEN	ORANGE
15A	HBL2152STBKTR	HBL2152STBLTR	HBL2152STTR	HBL2152STGYTR	HBL2152STITR	HBL2152STLATR	HBL2152STRTR	HBL2152STWTR	HBL2152STGNTR	HBL2152STOTR
20A	HBL2162STBKTR	HBL2162STBLTR	HBL2162STTR	HBL2162STGYTR	HBL2162STITR	HBL2162STLATR	HBL2162STRTR	HBL2162STWTR	HBL2162STGNTR	HBL2162STOTR

GENERAL NOTES:

- DIMENSIONS ARE IN INCHES [MM].
- ALL DEVICES UL LISTED, CSA & FED. SPEC. CERTIFIED
- TERMINALS ACCOMMODATE #14 - #10 AWG COPPER WIRE ONLY.