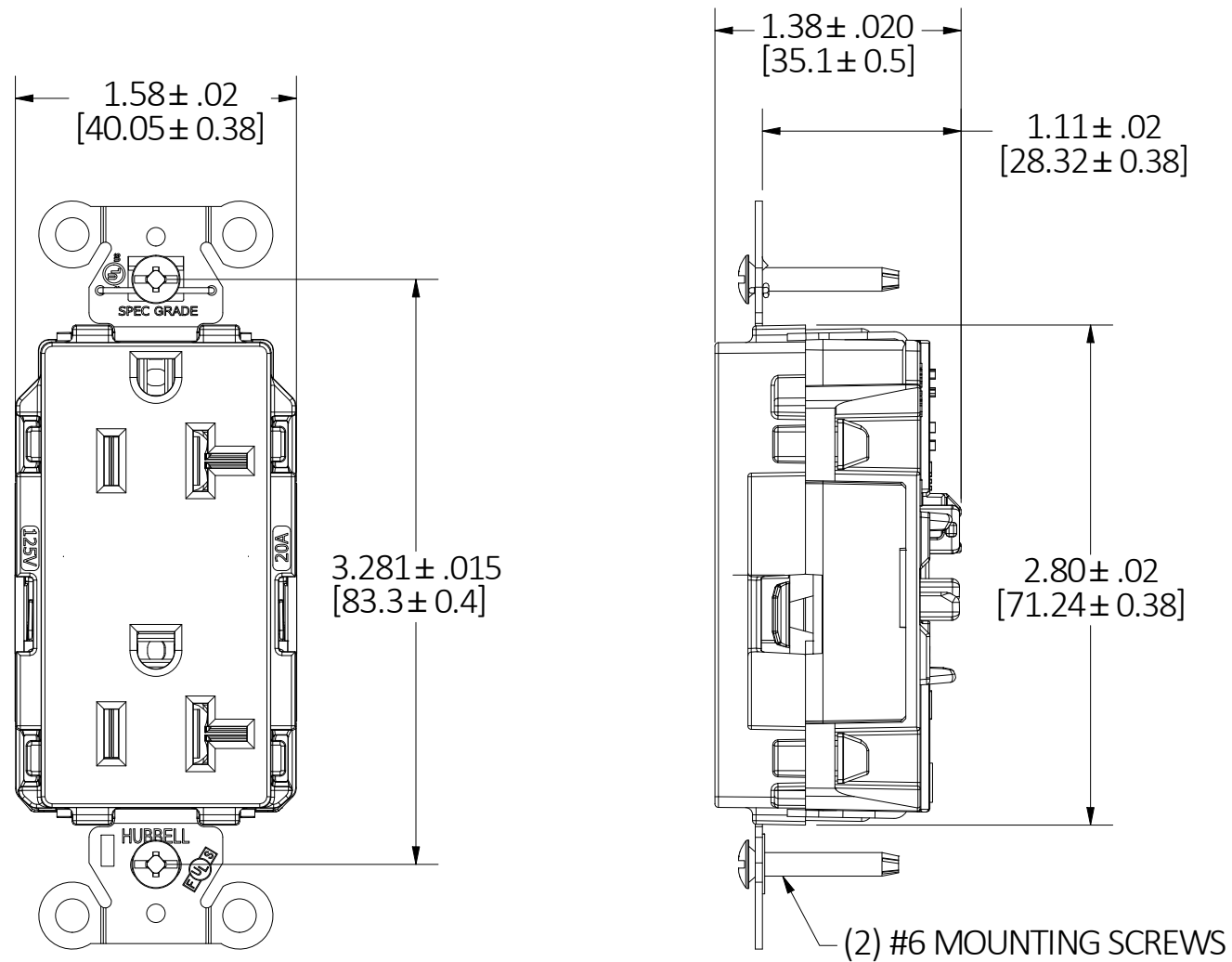
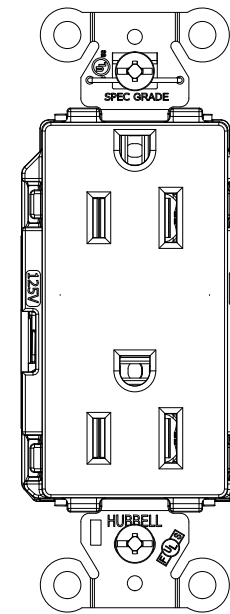


M-14576

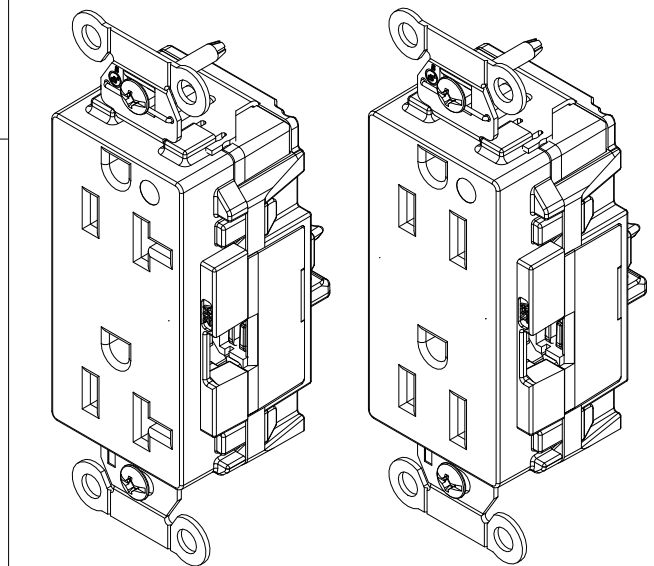
1



20A/125V DEVICE SHOWN



15A/125V



CATALOG NO: HBL2162ST (NOT SHOWN TO SCALE)

CATALOG NO: HBL2152ST (NOT SHOWN TO SCALE)

1	INITIAL RELEASE PER DCN 221107025442 SIV	WHD	11/22/22
REV	DESCRIPTION	APP	DATE

HUBBELL CATALOG NUMBERS

CONFIGURATION	BLACK	BLUE	BROWN	GRAY	IVORY	LT. ALMOND	RED	WHITE	GREEN	ORANGE
15A	HBL2152STBK	HBL2152STBL	HBL2152ST	HBL2152STGY	HBL2152STI	HBL2152STLA	HBL2152STR	HBL2152STW	HBL2152STGN	HBL2152STO
20A	HBL2162STBK	HBL2162STBL	HBL2162ST	HBL2162STGY	HBL2162STI	HBL2162STLA	HBL2162STR	HBL2162STW	HBL2162STGN	HBL2162STO

GENERAL NOTES:

1. DIMENSIONS ARE IN INCHES [MM].
2. ALL DEVICES UL LISTED, CSA & FED. SPEC. CERTIFIED
3. TERMINALS ACCOMMODATE #14 - #10 AWG COPPER WIRE ONLY.

CAGE CODE 74545

LIST OF PARTS

DESCRIPTION	MATERIAL	FINISH
TOP COVER	PC	-
BASE	PC	-
BRIDGE	GALV STEEL	-
GROUND CONTACTS	COPPER ALLOY	-
LINE CONTACTS	COPPER ALLOY	-
REAR COVER	PC	-
PLUNGER	NYLON	-
SPRING	STAINLESS STEEL	-
STAPLE	STAINLESS STEEL	-
WASHER	PVC FILM	BLACK
GROUND STRAP	COPPER ALLOY	-
MOUNTING SCREW	STEEL	ZINC PLATE

DIMENSION SHEET FOR CAT. NO. SEE TABLE

B

M-14576

1



WIRING DEVICE-KELLEMS
HUBBELL INCORPORATED
SHELTON, CT

TOLERANCES UNLESS OTHERWISE SPECIFIED .XX = ± .01 .XXX = ± .005 ANGLE TOL. ±2'	DR. BY SIV	SCALE 1:1
	CHK. BY WHD	DATE 06/29/22