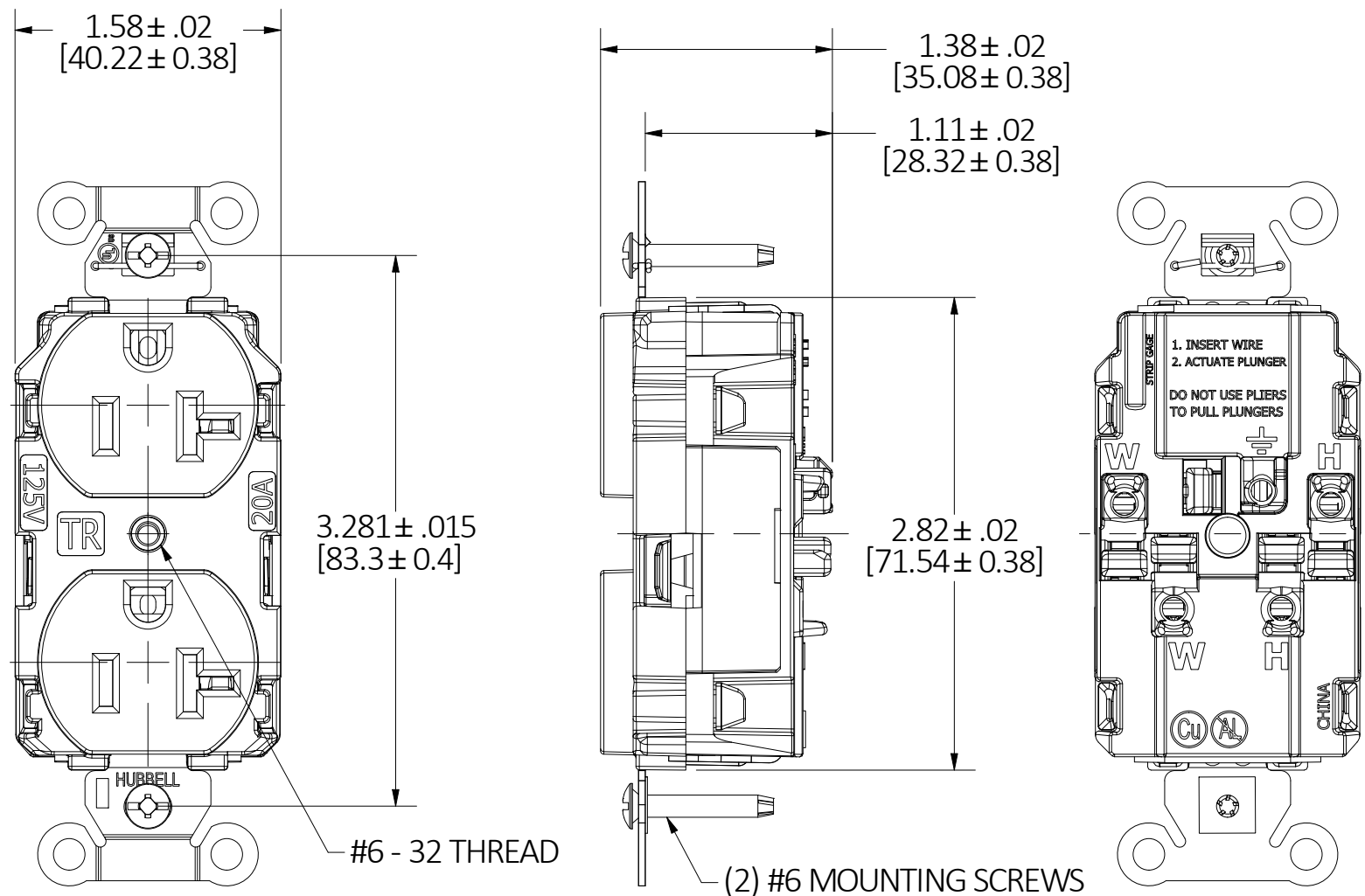
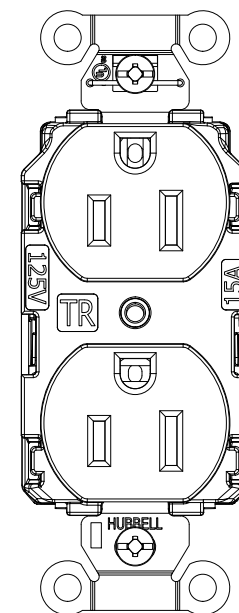


M-14577

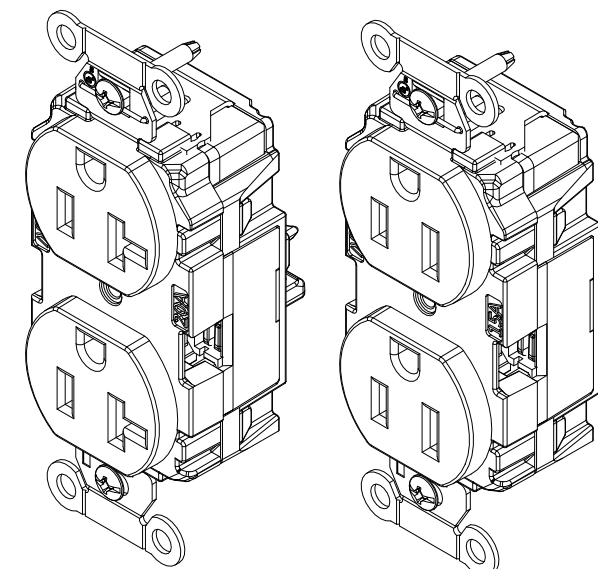
1



20A/125V DEVICE SHOWN



15A/125V



CATALOG NO: BR20STTR CATALOG NO: BR15STTR
(NOT SHOWN TO SCALE) (SHOWN NOT TO SCALE)

1	INITIAL RELEASE PER DCN 221107025442 SIV	WHD	11/22/22
REV	DESCRIPTION	APP	DATE

THE DESIGN AND DIMENSIONS OF THE PRODUCT SHOWN ON THIS DRAWING ARE SUBJECT TO CHANGE WITHOUT NOTICE. DIMENSIONS ARE IN INCHES [mm].

TITLE
 DUPLEX RECEPTACLE, EdgeConnect,
 15A & 20A, TR, COMMERCIAL



WIRING DEVICE-KELLEMS
 HUBBELL INCORPORATED
 SHELTON, CT

TOLERANCES UNLESS OTHERWISE SPECIFIED .XX = ± .01 .XXX = ± .005 ANGLE TOL. ±2'	DR. BY SIV	SCALE 1:1
	CHK. BY WHD	DATE 06/30/22

HUBBELL CATALOG NUMBERS										
CONFIGURATION	BLACK	BLUE	BROWN	GRAY	IVORY	LT. ALMOND	RED	WHITE	GREEN	ORANGE
15A/125V	BR15STBKTR	BR15STBLTR	BR15STTR	BR15STGYTR	BR15STITR	BR15STLATR	BR15STRTR	BR15STWTR	BR15STGNTR	BR15STOTR
20A/125V	BR20STBKTR	BR20STBLTR	BR20STTR	BR20STGYTR	BR20STITR	BR20STLATR	BR20STRTR	BR20STWTR	BR20STGNTR	BR20STOTR

GENERAL NOTES:

1. DIMENSIONS ARE IN INCHES [MM].
2. ALL DEVICES UL LISTED, CSA CERTIFIED
3. TERMINALS ACCOMMODATE #14 - #10 AWG COPPER WIRE ONLY.