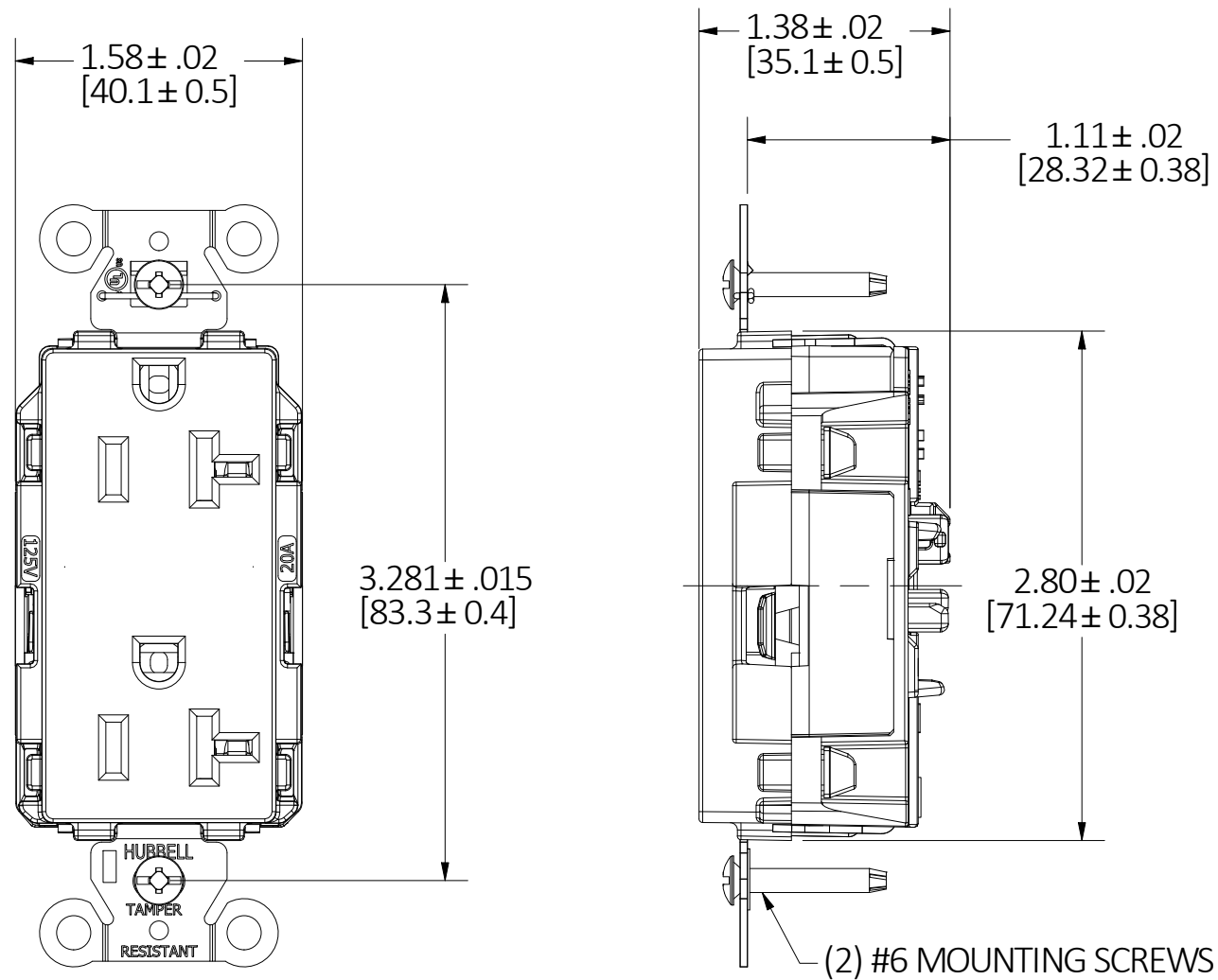
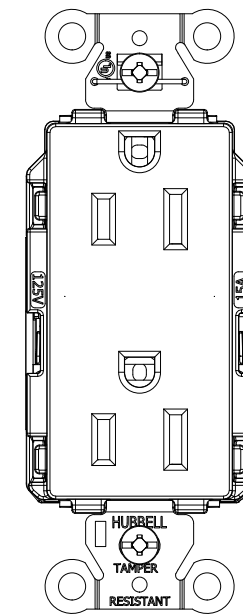


M-14578

1

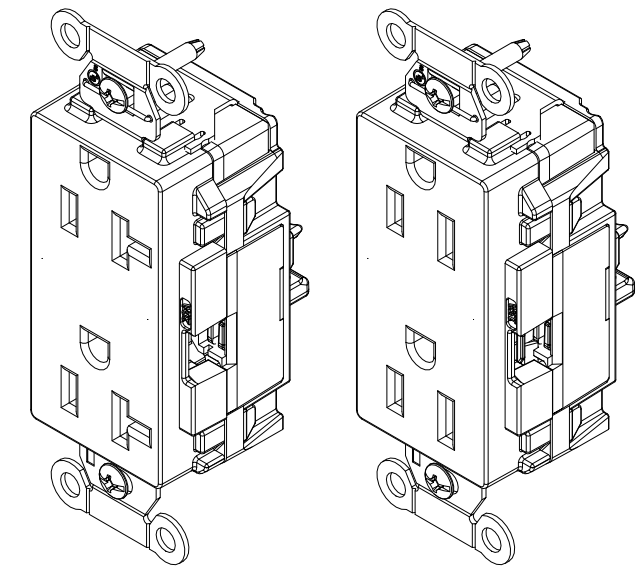


20A/125V DEVICE SHOWN



15A/125V

LIST OF PARTS		
DESCRIPTION	MATERIAL	FINISH
TOP COVER	PC	-
TR ASSEMBLY	ACETAL/SS	-
BASE	PC	-
BRIDGE	.04 GALV. STL.	-
GROUND CONTACTS	COPPER ALLOY	-
LINE CONTACTS	COPPER ALLOY	-
REAR COVER	PC	-
PLUNGER	NYLON	-
SPRING	STAINLESS STEEL	-
STAPLE	STAINLESS STEEL	-
WASHER	PVC FILM	BLACK
GROUND STRAP	COPPER ALLOY	-
MOUNTING SCREW	STEEL	ZINC PLATE



CATALOG NO. DR20STTR (NOT SHOWN TO SCALE)

CATALOG NO DR15STTR (NOT SHOWN TO SCALE)

1	INITIAL RELEASE PER DCN 221107025442 SIV	WHD	11/23/22
REV	DESCRIPTION	APP	DATE

THE DESIGN AND DIMENSIONS OF THE PRODUCT SHOWN ON THIS DRAWING ARE SUBJECT TO CHANGE WITHOUT NOTICE. DIMENSIONS ARE IN INCHES [mm].

TITLE
DECORATOR RECEPTACLE, EdgeConnect, 15A & 20A, TR, COMMERCIAL



WIRING DEVICE-KELLEMS
HUBBELL INCORPORATED
SHELTON, CT

TOLERANCES UNLESS OTHERWISE SPECIFIED .XX = ± .01 .XXX = ± .005 ANGLE TOL. ±2'	DR. BY SIV	SCALE 1:1
	CHK. BY WHD	DATE 06/29/22

HUBBELL CATALOG NUMBERS

CONFIGURATION	BLACK	BLUE	BROWN	GRAY	IVORY	LT. ALMOND	RED	WHITE	GREEN	ORANGE
15A	DR15STBKTR	DR15STBLTR	DR15STTR	DR15STGYTR	DR15STITR	DR15STLATR	DR15STRTR	DR15STWTR	DR15STGNTR	DR15STOTR
20A	DR20STBKTR	DR20STBLTR	DR20STTR	DR20STGYTR	DR20STITR	DR20STLATR	DR20STRTR	DR20STWTR	DR20STGNTR	DR20STOTR

GENERAL NOTES:

- DIMENSIONS ARE IN INCHES [MM].
- ALL DEVICES UL LISTED, CSA CERTIFIED
- TERMINALS ACCOMMODATE #14 - #10 AWG COPPER WIRE ONLY.