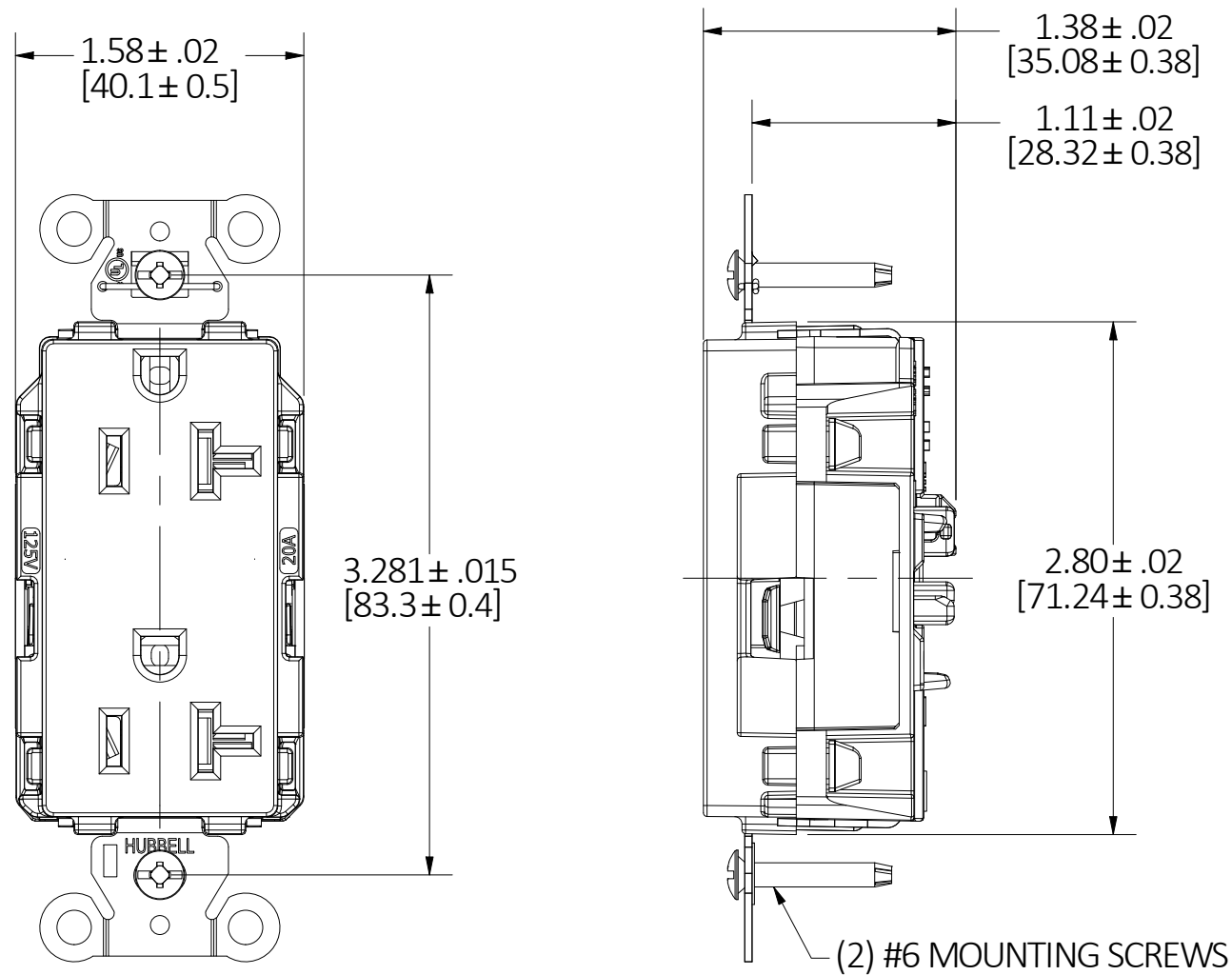
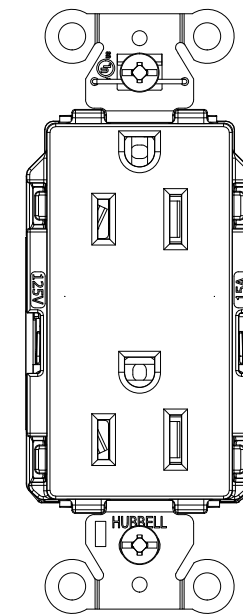


M-14580

1

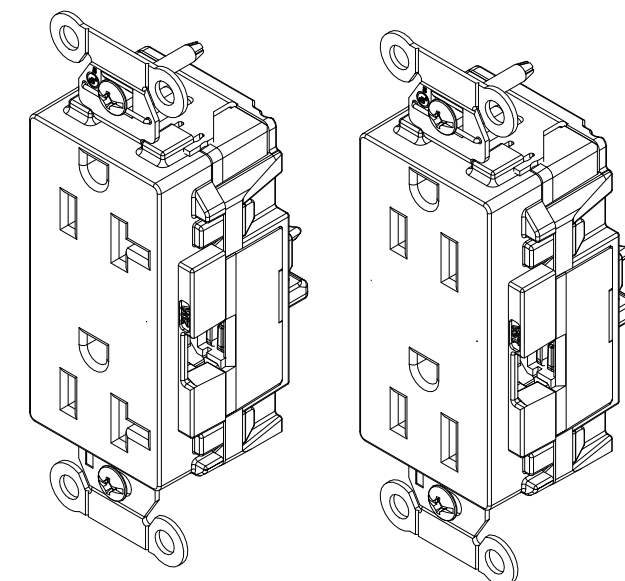


20A/125V DEVICE SHOWN



15A/125V

LIST OF PARTS		
DESCRIPTION	MATERIAL	FINISH
TOP COVER	PC	-
BASE	PC	-
BRIDGE	.04 GALV. STL.	-
GROUND CONTACTS	COPPER ALLOY	-
LINE CONTACTS	COPPER ALLOY	-
REAR COVER	PC	-
PLUNGER	NYLON	-
SPRING	STAINLESS STEEL	-
STAPLE	STAINLESS STEEL	-
WASHER	PVC FILM	BLACK
GROUND STRAP	COPPER ALLOY	-
MOUNTING SCREW	STEEL	ZINC PLATE



CATALOG NO: DR20ST
(NOT SHOWN TO SCALE)

CATALOG NO: DR15ST
(NOT SHOWN TO SCALE)

HUBBELL CATALOG NUMBERS										
CONFIGURATION	BLACK	BLUE	BROWN	GRAY	IVORY	LT. ALMOND	RED	WHITE	GREEN	ORANGE
15A	DR15STBK	DR15STBL	DR15ST	DR15STGY	DR15STI	DR15STLA	DR15STR	DR15STW	DR15STGN	DR15STO
20A	DR20STBK	DR20STBL	DR20ST	DR20STGY	DR20STI	DR20STLA	DR20STR	DR20STW	DR20STGN	DR20STO

GENERAL NOTES:

1. DIMENSIONS ARE IN INCHES [MM].
2. ALL DEVICES UL LISTED, CSA CERTIFIED
3. TERMINALS ACCOMMODATE #14 - #10 AWG COPPER WIRE ONLY.

CAGE CODE 74545

1	INITIAL RELEASE PER DCN 221107025442 SIV	WHD	11/22/22
REV	DESCRIPTION	APP	DATE

THE DESIGN AND DIMENSIONS OF THE PRODUCT SHOWN ON THIS DRAWING ARE SUBJECT TO CHANGE WITHOUT NOTICE. DIMENSIONS ARE IN INCHES [mm].

TITLE
DECORATOR RECEPTACLE, EdgeConnect,
15A & 20A, COMMERCIAL



WIRING DEVICE-KELLEMS
HUBBELL INCORPORATED
SHELTON, CT

TOLERANCES UNLESS OTHERWISE SPECIFIED
.XX = ± .01
.XXX = ± .005
ANGLE TOL. ±2°

DR. BY	SIV	SCALE	1 : 1
CHK. BY	WHD	DATE	06/30/22

DIMENSION SHEET FOR CAT. NO. SEE TABLE

B

M-14580

1