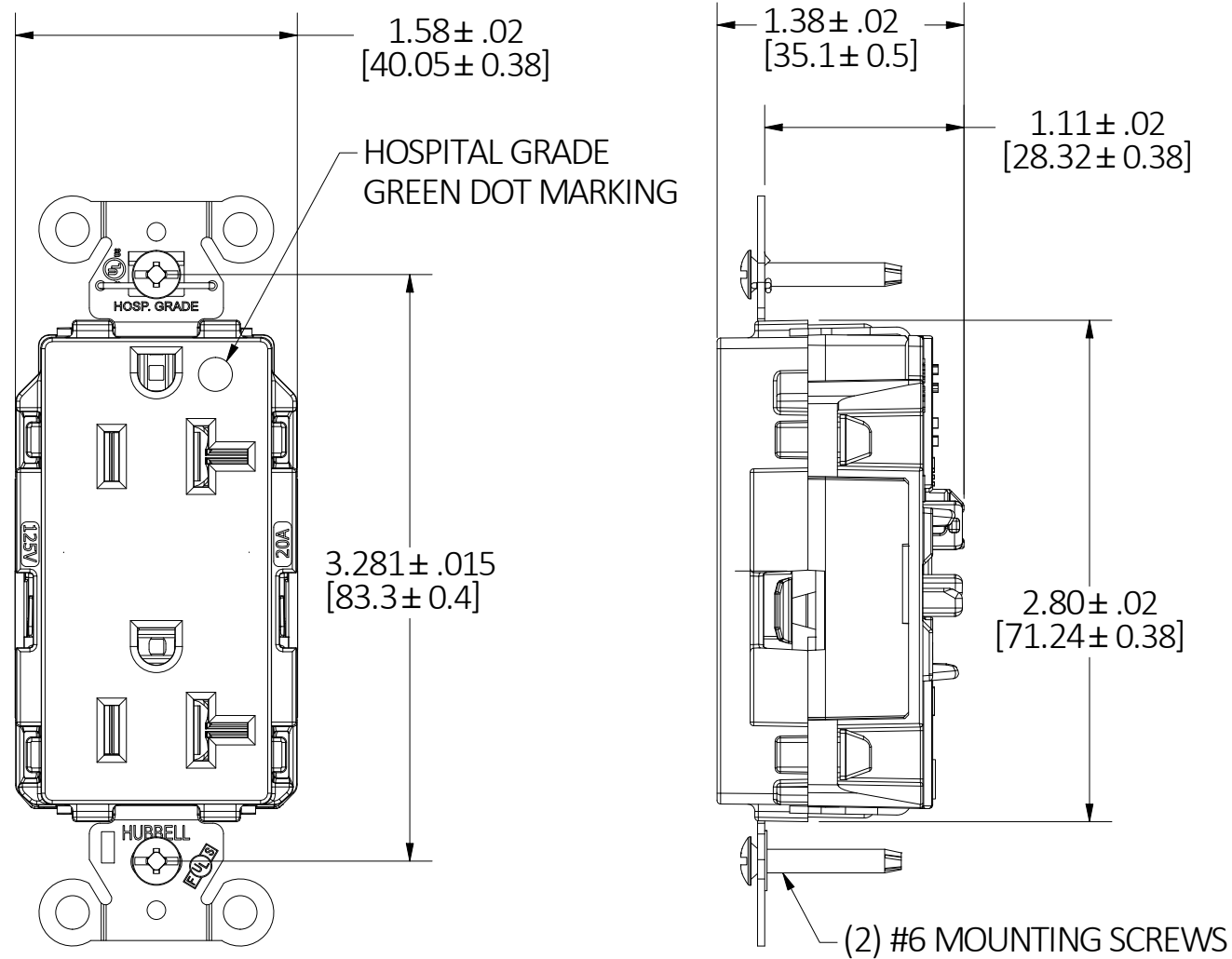
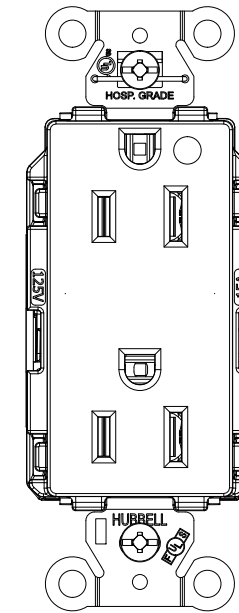


M-14582

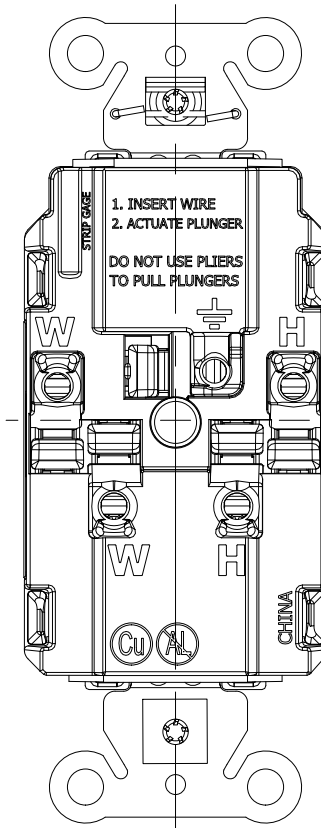
1



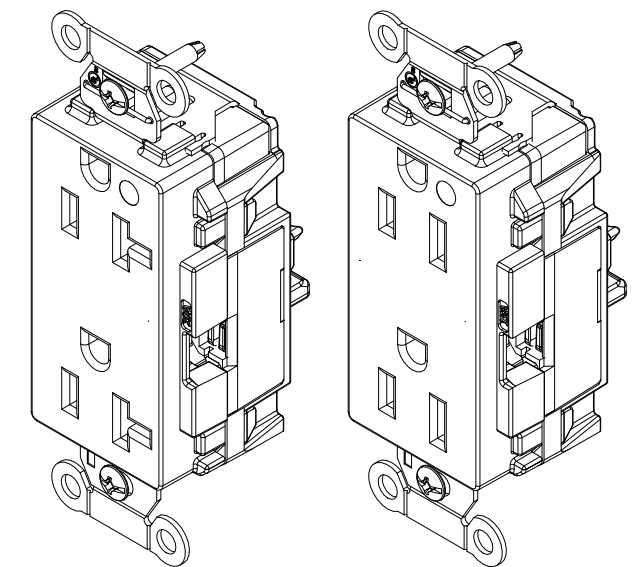
20A/125V DEVICE SHOWN



15A/125V



LIST OF PARTS		
DESCRIPTION	MATERIAL	FINISH
TOP COVER	PC	-
BASE	PC	-
BRIDGE	.04 GALV. STL.	-
GROUND CONTACTS	COPPER ALLOY	-
LINE CONTACTS	COPPER ALLOY	-
REAR COVER	PC	-
PLUNGER	NYLON	-
SPRING	STAINLESS STEEL	-
STAPLE	STAINLESS STEEL	-
WASHER	PVC FILM	BLACK
GROUND STRAP	COPPER ALLOY	-
MOUNTING SCREW	STEEL	ZINC PLATE



CATALOG NO: HBL2182ST CATALOG NO: HBL2172ST  
(NOT SHOWN TO SCALE) (NOT SHOWN TO SCALE)

1	INITIAL RELEASE PER DCN 221107025442 SIV	WHD	11/23/22
REV	DESCRIPTION	APP	DATE

THE DESIGN AND DIMENSIONS OF THE PRODUCT SHOWN ON THIS DRAWING ARE SUBJECT TO CHANGE WITHOUT NOTICE. DIMENSIONS ARE IN INCHES [mm].

TITLE  
DECORATOR RECEPTACLE, EdgeConnect,  
15A & 20A, HOSPITAL GRADE



WIRING DEVICE-KELLEMS  
HUBBELL INCORPORATED  
SHELTON, CT

TOLERANCES UNLESS OTHERWISE SPECIFIED .XX = ± .01 .XXX = ± .005 ANGLE TOL. ±2'	DR. BY SIV	SCALE 1 : 1
	CHK. BY WHD	DATE 06/30/22

HUBBELL CATALOG NUMBERS

CONFIGURATION	BLACK	BLUE	BROWN	GRAY	IVORY	LT. ALMOND	RED	WHITE	GREEN	ORANGE
15A	HBL2172STBK	HBL2172STBL	HBL2172ST	HBL2172STGY	HBL2172STI	HBL2172STLA	HBL2172STR	HBL2172STW	HBL2172STGN	HBL2172STO
20A	HBL2182STBK	HBL2182STBL	HBL2182ST	HBL2182STGY	HBL2182STI	HBL2182STLA	HBL2182STR	HBL2182STW	HBL2182STGN	HBL2182STO

GENERAL NOTES:

1. DIMENSIONS ARE IN INCHES [MM].
2. ALL DEVICES UL LISTED, CSA & FED. SPEC. CERTIFIED
3. TERMINALS ACCOMMODATE #14 - #10 AWG COPPER WIRE ONLY.