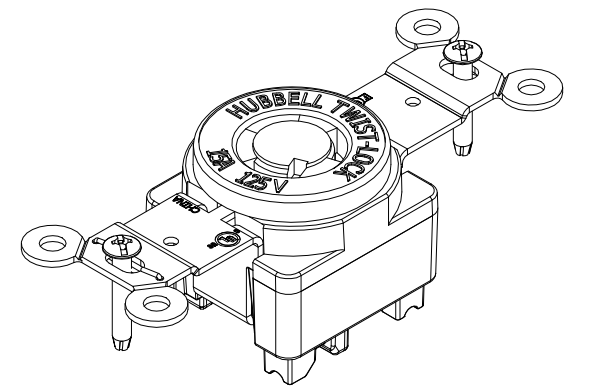


- NOTES: (UNLESS OTHERWISE SPECIFIED):
1. DIMENSIONS ARE IN INCHES [mm].
 2. ALL DEVICES ARE cULus LISTED & FED SPEC.
 3. CORD TYPES: S & SJ, ROUND CORD ONLY
 4. WIRE TERMINAL ACCOMODATION: 14AWG - 10AWG STRANDED COPPER WIRE ONLY
 5. CONDUCTOR STRIP LENGTH: 5/8" (16mm).
 6. ASSEMBLY SCREWS ARE PHILLIPS/SLOTTED/ROBERTSON HEAD.

LIST OF PARTS		
DESCRIPTION	MATERIAL	FINISH
TOP HOUSING	POLYCARBONATE	
BOT. HOUSING	POLYCARBONATE	
LINE CONTACT	BRASS ALLOY	
LINE CONTACT	BRASS ALLOY	
GND CONTACT	BRASS ALLOY	
BRIDGE ASSY	STEEL	
PLUNGER WHITE	THERMOPLASTIC	
PLUNGER BLACK	THERMOPLASTIC	
PLUNGER GREEN	THERMOPLASTIC	



CAT NO.	NEMA NO.	RATING	POLE/WIRE	FIG. #	CONFIGURATION	RATING RING COLOR
HBL4560ST	L6-15R	15A 250V	2P/3W GROUNDING	1		BLUE
HBL4563ST	L6-15R	15A 250V	2P/3W GROUNDING	2		BLUE
HBL4710ST	L5-15R	15A 125V	2P/3W GROUNDING	1		YELLOW
IG4710ST	L5-15R	15A 125V	2P/3W ISOLATED GND	1		YELLOW
HBL4713ST	L5-15R	15A 125V	2P/3W GROUND	2		YELLOW
HBL4760ST	L7-15R	15A 277V	2P/3W GROUND	1		GRAY

REV	DESCRIPTION	APP	DATE
2	UPDATED DWG VIEWS EC 221108025455 JPQ	DLO	11/10/22
1	INITIAL RELEASE EC 220725022424 JPQ	DLO	08/11/22

THE DESIGN AND DIMENSIONS OF THE PRODUCT SHOWN ON THIS DRAWING ARE SUBJECT TO CHANGE WITHOUT NOTICE. DIMENSIONS ARE IN INCHES [mm].

TITLE

15A EDGE RECEPTACLE

WIRING DEVICE-KELLEMS
HUBBELL INCORPORATED
SHELTON, CT

TOLERANCES UNLESS OTHERWISE SPECIFIED .XX = ± .01 .XXX = ± .005 ANGLE TOL. ±2'	DR. BY J.QUINN	SCALE 1 : 1
	CHK. BY D.LO	DATE 08/11/22