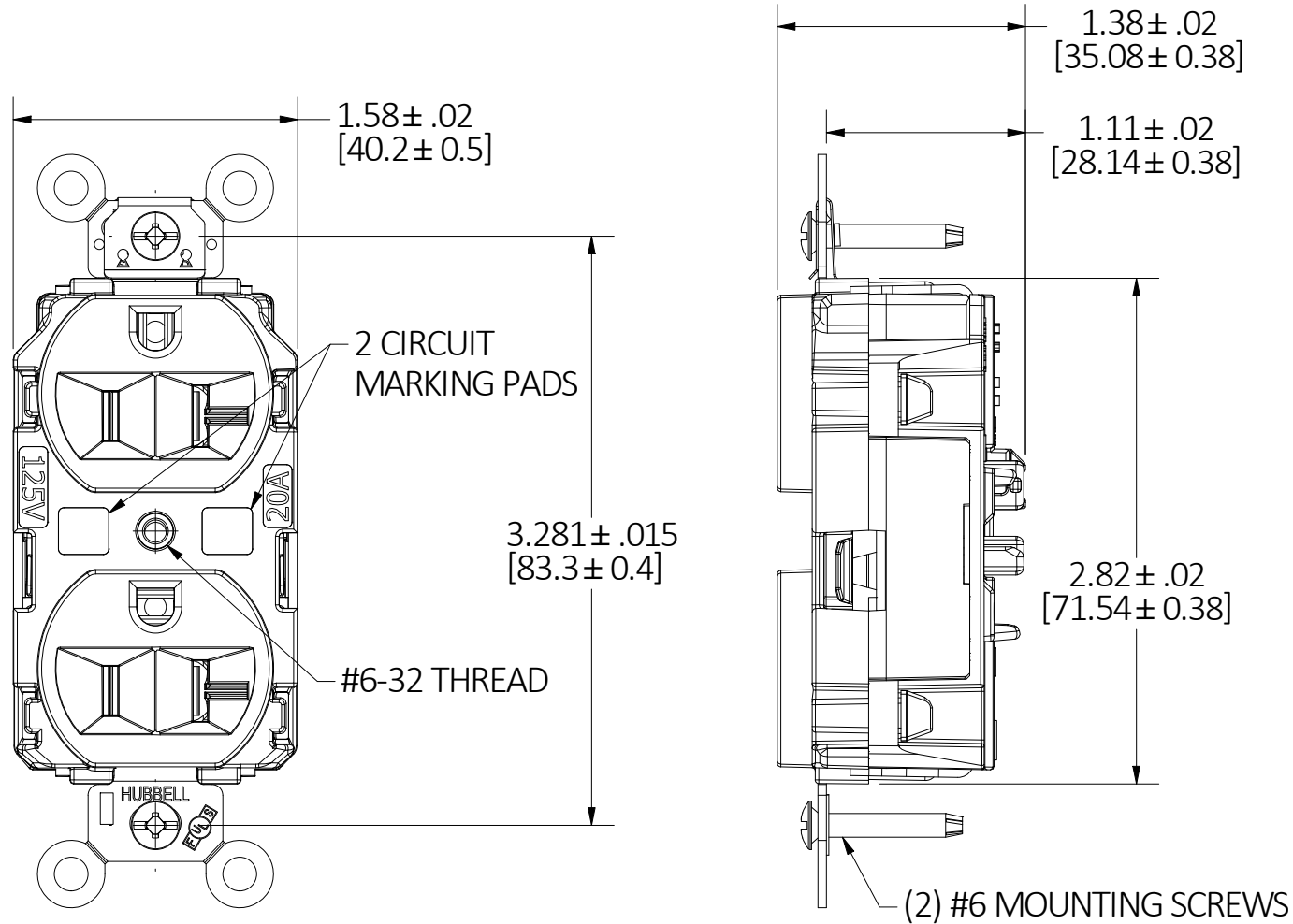
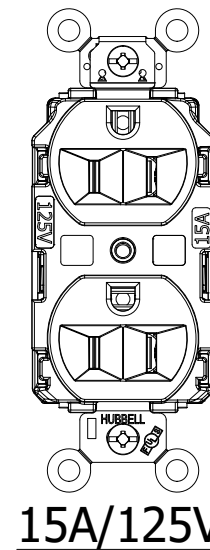


M-14622

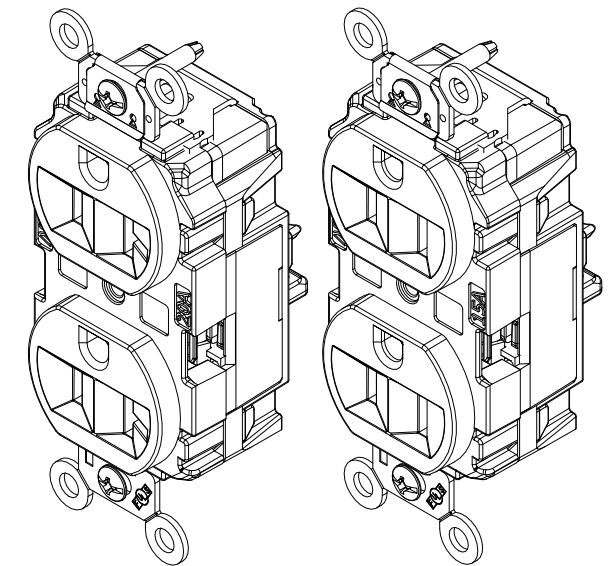
1



20A/125V DEVICE SHOWN



LIST OF PARTS		
DESCRIPTION	MATERIAL	FINISH
TOP COVER	PC	-
BASE	PC	-
BRIDGE	BRASS	-
GROUND CONTACTS	COPPER ALLOY	-
LINE CONTACTS	COPPER ALLOY	-
REAR COVER	PC	-
PLUNGER	NYLON	-
SPRING	STAINLESS STEEL	-
AUTO GND CLIP	STAINLESS STEEL	-
WASHER	PVC FILM	BLACK
GROUND STRAP	COPPER ALLOY	-
MOUNTING SCREW	STEEL	ZINC PLATE



CATALOG NO: HBL5362ST  
(NOT SHOWN TO SCALE)

CATALOG NO: HBL5262ST  
(NOT SHOWN TO SCALE)

HUBBELL CATALOG NUMBERS

AMPERAGE	BLACK	BLUE	BROWN	GRAY	IVORY	LT. ALMOND	RED	WHITE	GREEN	ORANGE
15A	HBL5262STBK	HBL5262STBL	HBL5262ST	HBL5262STGY	HBL5262STI	HBL5262STLA	HBL5262STR	HBL5262STW	HBL5262STGN	HBL5262STO
20A	HBL5362STBK	HBL5362STBL	HBL5362ST	HBL5362STGY	HBL5362STI	HBL5362STLA	HBL5362STR	HBL5362STW	HBL5362STGN	HBL5362STO

GENERAL NOTES:

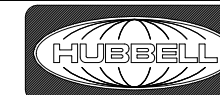
1. DIMENSIONS ARE IN INCHES [MM].
2. ALL DEVICES UL LISTED, CSA & FED. SPEC. CERTIFIED
3. TERMINALS ACCOMMODATE #14 - #10 AWG COPPER WIRE ONLY.

CAGE CODE 74545

1	RELEASED PER DCN 221107025442 SIV WHD	WHD	11/07/22
REV	DESCRIPTION	APP	DATE

THE DESIGN AND DIMENSIONS OF THE PRODUCT SHOWN ON THIS DRAWING ARE SUBJECT TO CHANGE WITHOUT NOTICE. DIMENSIONS ARE IN INCHES [mm].

TITLE  
INDUSTRIAL  
DUPLEX RECEPTACLE, EdgeConnect,  
15A & 20A, FINDER FACE, FED SPEC



WIRING DEVICE-KELLEMS  
HUBBELL INCORPORATED  
SHELTON, CT

TOLERANCES UNLESS OTHERWISE SPECIFIED  
.XX = ± .01  
.XXX = ± .005  
ANGLE TOL. ±2°

DR. BY	SIV	SCALE	1 : 1
CHK. BY	WHD	DATE	06/28/22

DIMENSION SHEET FOR CAT. NO. SEE TABLE

B

M-14622

1