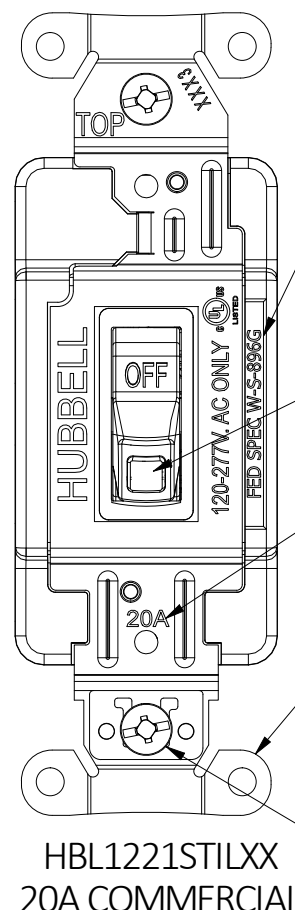
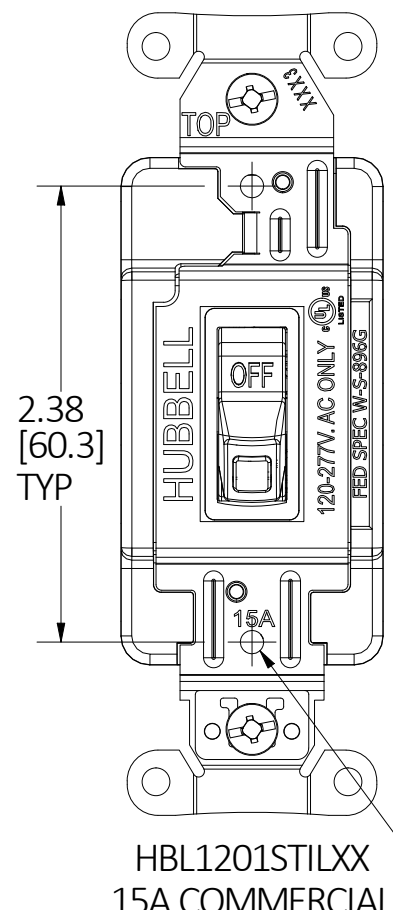


M-14643

1



LISTING MARKINGS
SEE NOTE 2 & 3

LED LENS

AMPERAGE
RATING

GALVANIZED
ZINC PLATE
TYP

TRI-DRIVE #6-32
MOUNTING SCREWS
(2x) TYP

2X #6-32
TAPPED HOLES
TYP

HBL1201STILXX
15A COMMERCIAL

HBL1221STILXX
20A COMMERCIAL

TOGGLE HANDLE
SEE TABLE 1

COVER

3.28
[83.4]

.76
[19.3]

PLUNGER DOWN

1.33
[33.7]

PLUNGER UP

1.50
[38.1]

4.18
[106.2]

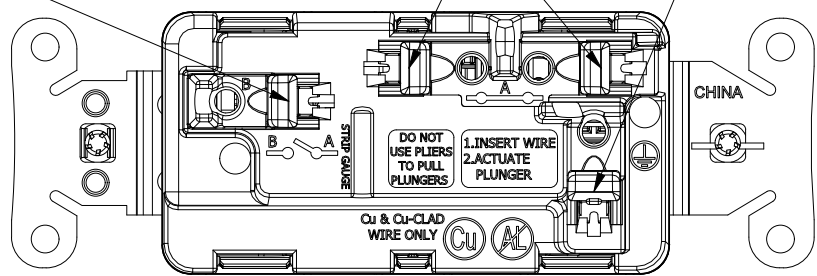
1.37
[34.7]

HBL1221STILBK
SHOWN

COMMON / DOWNSTREAM
(RED PLUNGER)

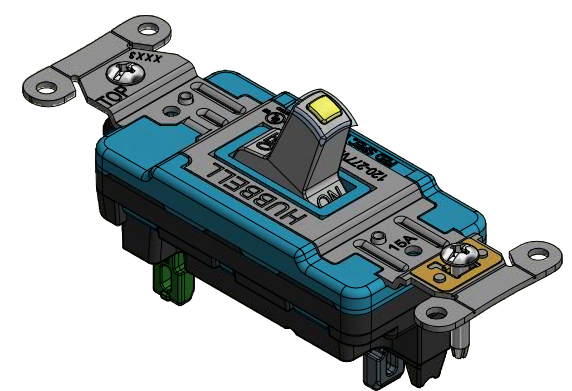
TRAVELER
(BLACK PLUNGER)

GROUND
(GREEN
PLUNGER)



LIST OF PARTS

| DESCRIPTION | MATERIAL | FINISH |
|---------------|---------------------|----------------|
| HOUSINGS | PC | --- |
| TOGGLE/HANDLE | NYLON | --- |
| PLUNGER | NYLON | --- |
| BRIDGE | STEEL | NICKEL OR ZINC |
| SCREWS | STEEL | --- |
| TERMINALS | BRONZE | --- |
| CONTACTS | CU/SILVER LAMINATED | POLISHED |
| SPRING CLAMP | ALLOY | --- |
| LED | --- | --- |
| RESISTOR | --- | --- |
| DIODE | --- | --- |



ISO VIEW
SCALE 3:4

EDGE CONNECT SINGLE-POLE ILLUMINATED TOGGLE 120-277 VAC

| CATALOG NO. | DESCRIPTION | AMP RATING | COVER COLOR | TOGGLE COLOR |
|---------------|-------------|------------|-------------|--------------|
| HBL1201STILXX | INDUSTRIAL | 15A | BLUE | SEE TABLE 1 |
| HBL1221STILXX | INDUSTRIAL | 20A | RED | SEE TABLE 1 |

NOTES:

1. cULus LISTED - APPROVED IN US AND CANADA
2. MEETS UL20, UL486E, CSA C22.2 No.111 & FED SPEC W-S-896-G

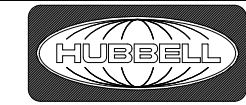
TABLE 1: SUFFIX

| TOGGLE COLOR | -XX |
|--------------|-----|
| BROWN | --- |
| IVORY | I |
| GRAY | GY |
| WHITE | W |
| RED | R |
| BLACK | BK |
| LIGHT ALMOND | LA |

| 1 | RELEASE TO PRODUCTION PER EC230412029445 BP | KP | 4/20/23 |
|-----|--|-----|---------|
| REV | DESCRIPTION | APP | DATE |

THE DESIGN AND DIMENSIONS OF THE PRODUCT SHOWN ON THIS DRAWING ARE SUBJECT TO CHANGE WITHOUT NOTICE. DIMENSIONS ARE IN INCHES [mm].

TITLE
CUSTOMER DRAWING
SINGLE POLE 15A/20A ILLUMINATED
EDGE CONNECT SWITCH



WIRING DEVICE-KELLEMS
HUBBELL INCORPORATED
SHELTON, CT

| | | |
|---|---------------|----------------|
| TOLERANCES UNLESS OTHERWISE SPECIFIED .XX = ± .01 .XXX = ± .005 ANGLE TOL. ±2° | DR. BY BP | SCALE 1 : 1 |
| | CHK. BY KP | DATE 1/4/22 |

DIMENSION SHEET FOR CAT. NO. SEE TABLE

B

M-14643

1