

LIST OF PARTS

DESCRIPTION	MATERIAL	FINISH
FLANGE & SCREW ASSY	BRASS BRASS PLATED	
SPACER, DUPLEX	STEEL	ZINC
GASKET, DUPLEX	RUBBER	
#8 FLAT HEAD SCREW	BRASS	NATURAL

DIMENSION SHEET FOR CAT. NO. SF-3925

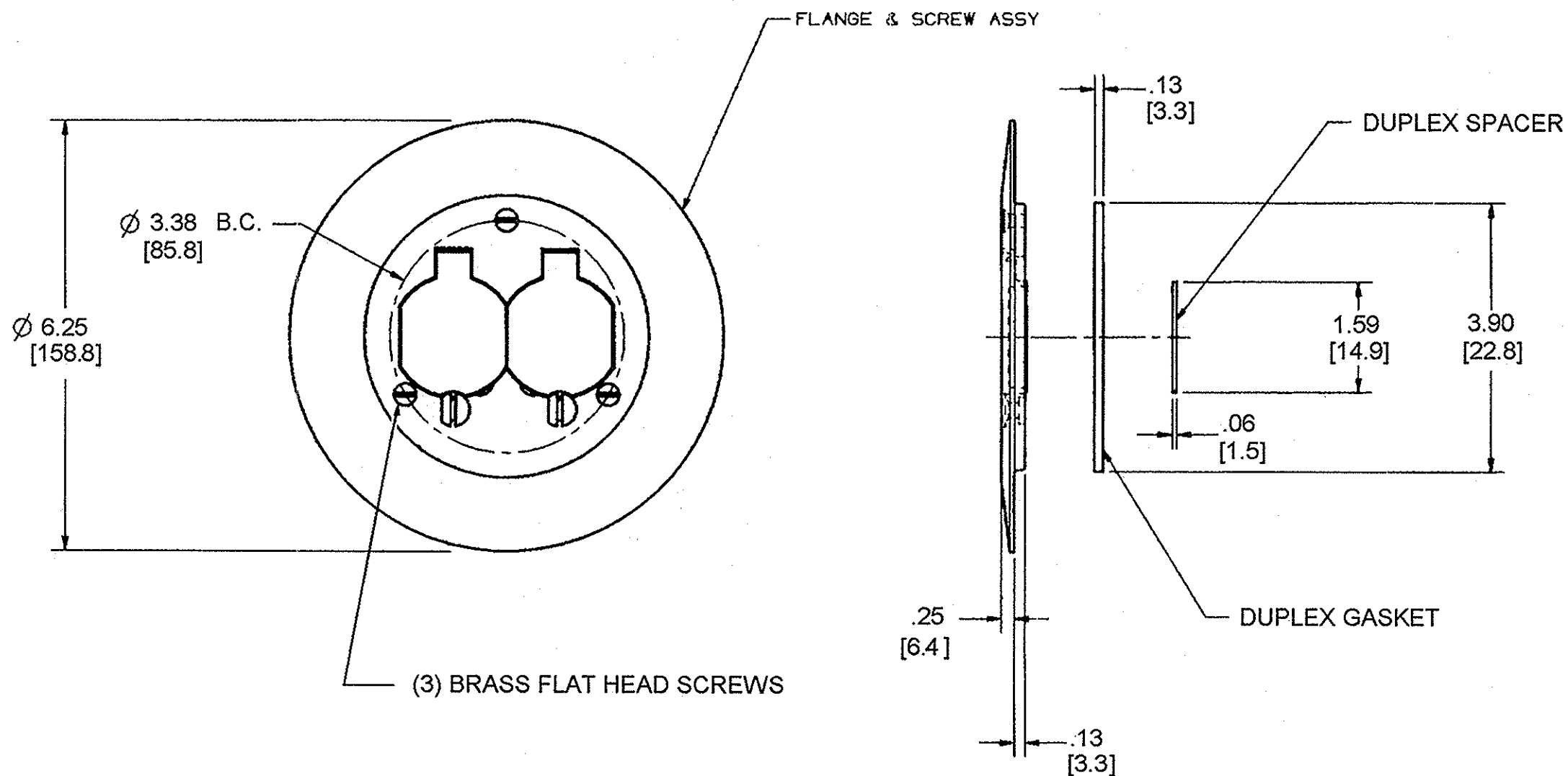
REPAIRABLE

NON-REPAIRABLE

B

M-7087

2



NOTE:  
1. DIMENSIONS ARE NOMINAL VALUES AND SHOWN IN INCH [mm] UNITS.

SYM	REVISIONS	APP	DATE
2	REVISE FLANGE AND SCREW ASSY.	SBW	7/26/11
	DIMS. WERE FRACTIONS ADDED [mm]		
	TITLE REMOVED BRASS.DCN17817SPN		
1	FIRST ISSUE PER DCN 1422	ESW	11/3/82

THE DESIGN AND DIMENSIONS OF THE PRODUCT SHOWN ON THIS DRAWING ARE SUBJECT TO CHANGE WITHOUT NOTICE

TITLE  
ASSY, DUPLEX FLOOR BOX

TOLERANCES UNLESS OTHERWISE SPECIFIED  
FRACTIONS ± 1/64  
DECIMALS ± .005  
ANGLES ± 2

WIRING DEVICE DIVISION  
HUBBELL, INCORPORATED  
BRIDGEPORT, CT  
DR. BY MDM APP. BY  
TR. BY SCALE 1/2  
CHK'D BY ESW DATE 9/29/92