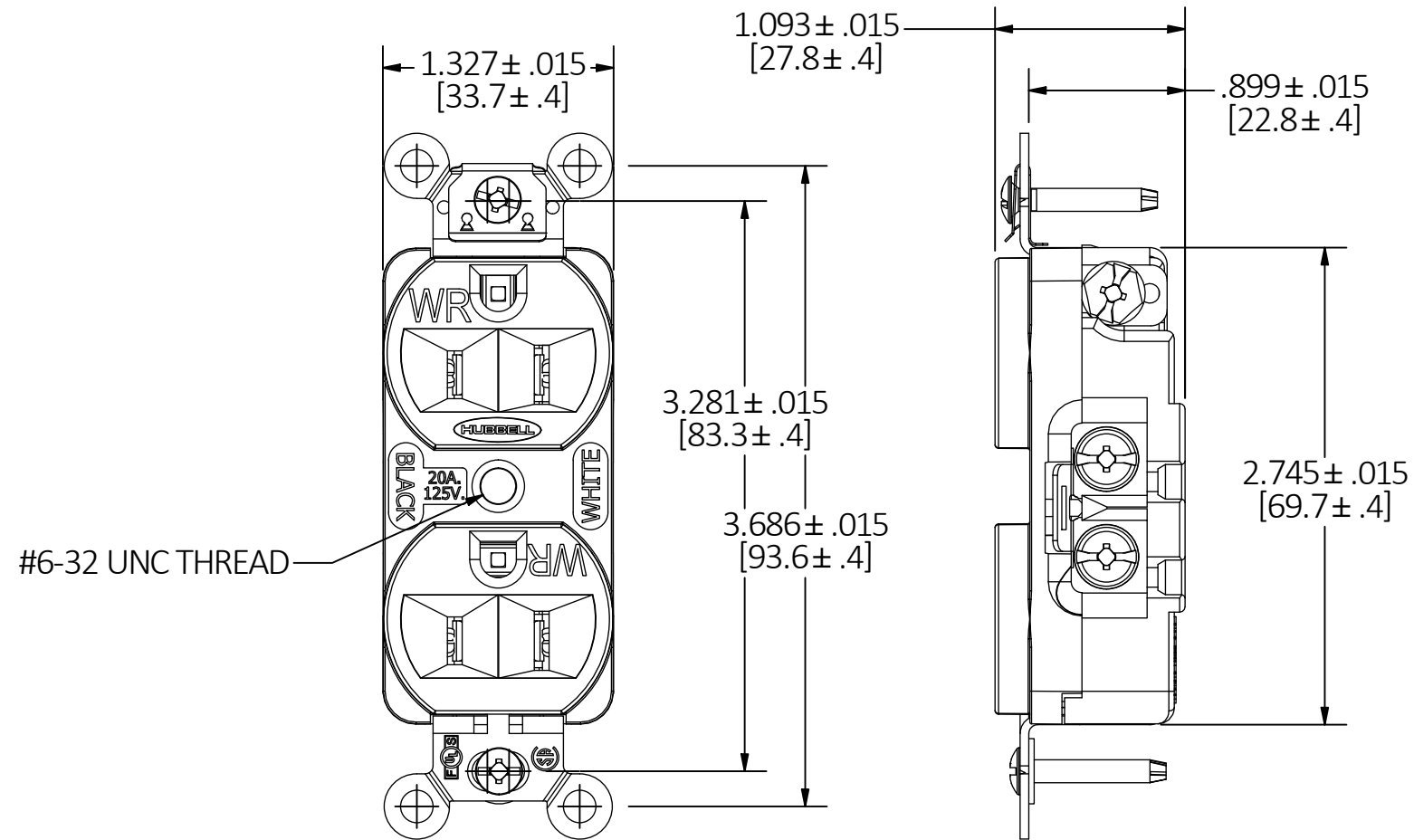
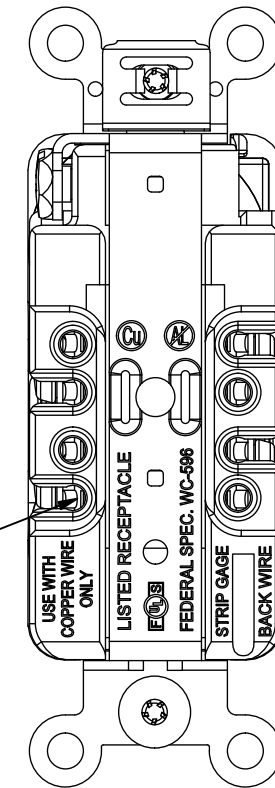


M-7799

9

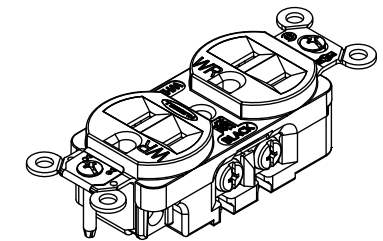


SEE NOTE 1



LIST OF PARTS

DESCRIPTION	MATERIAL	FINISH
TOP	NYLON	
BASE	POLYESTER	
CONT SP. BIND. PLATE	PHOSPHOR BRONZE	
GR. CONTACT SP.	.031 BRASS	
WIRE CLAMP	.062 STEEL	NICKEL PLATE
BRIDGE	GAV. STEEL	
GROUNDING SPRING	STAINLESS STEEL	
GROUNDING SCREWS	BRASS	
HEX HD. BIND. SCREW	BRASS	GREEN
MOUNTING SCREW	STEEL	ZINC PLATE
WASHER	FIBER	RED
CENTER RIVET	SILICON BRONZE	



NOTES:

1. AFTER RECEPTACLE ASSEMBLY, BACK OUT SCREWS UNTIL WIRE CLAMPS CLEAR THE WIRE HOLES IN THE POSITIONS SHOWN.
2. DIMENSIONS ARE IN INCHES (mm).
3. ALL DEVICES U.L. LISTED & C.S.A CERTIFIED.
4. TERMINALS ACCOMODATES #14-10AWG AWG COPPER WIRE ONLY.

5262WR & 5362WR SERIES CATALOG NUMBERS

BLACK	BROWN	GRAY	IVORY	WHITE	BLUE	CONFIGURATION	RATING
5262BKWR	5262WR	5262GYWR	5262IWR	5262WWR	N/A		15A/125V
5362BKWR	5362WR	5362GYWR	5362IWR	5362WWR	5362BLWR		20A/125V

9	CORRECTED BASE MATERIAL PER DCN 191125075014 RGP	WHD	11/19/19
REV	DESCRIPTION	APP	DATE

THE DESIGN AND DIMENSIONS OF THE PRODUCT SHOWN ON THIS DRAWING ARE SUBJECT TO CHANGE WITHOUT NOTICE. DIMENSIONS ARE IN INCHES [mm].

TITLE
15 & 20A STANDARD AND WEATHER RESISTANT RECEPTACLE SIDE & BACK WIRE



WIRING DEVICE-KELLEMS
HUBBELL INCORPORATED
SHELTON, CT

TOLERANCES UNLESS OTHERWISE SPECIFIED .XX = ± .01 .XXX = ± .005 ANGLE TOL. ±2'	DR. BY PFN	SCALE 1:1
	CHK. BY PFN	DATE 9/27/2019