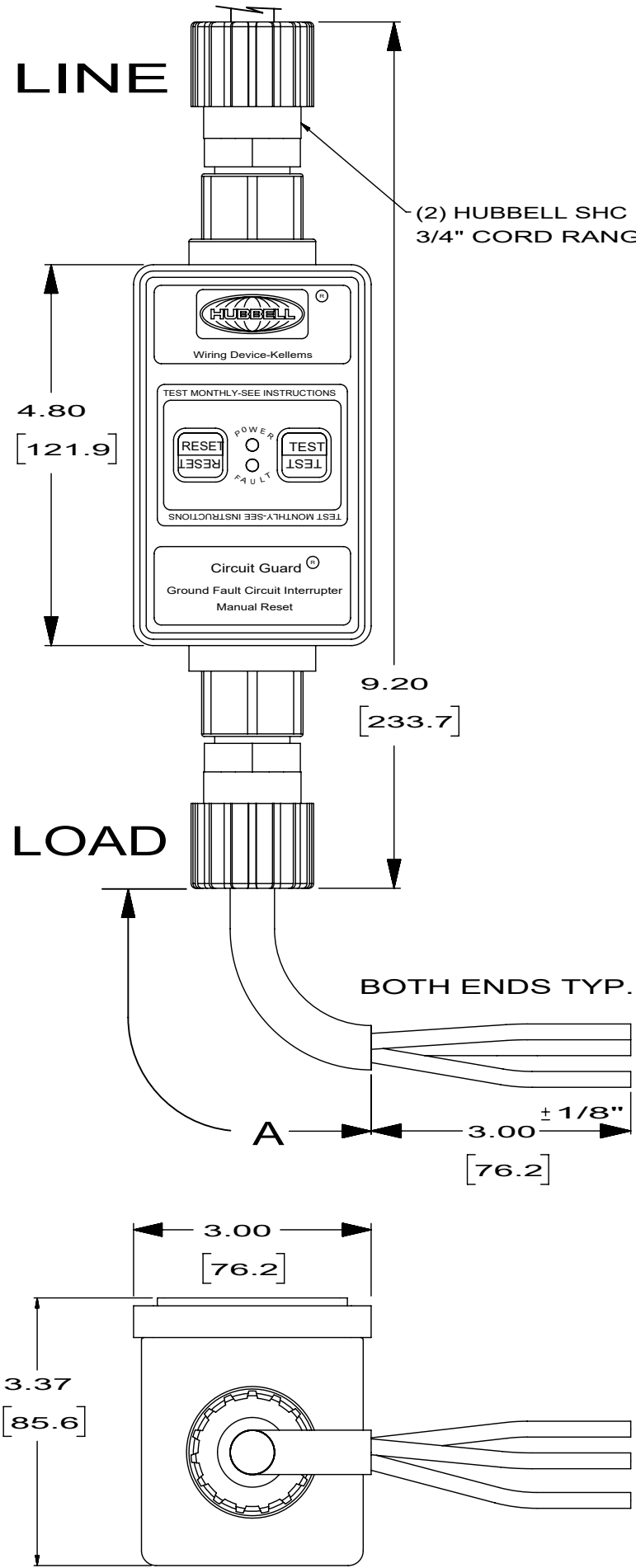
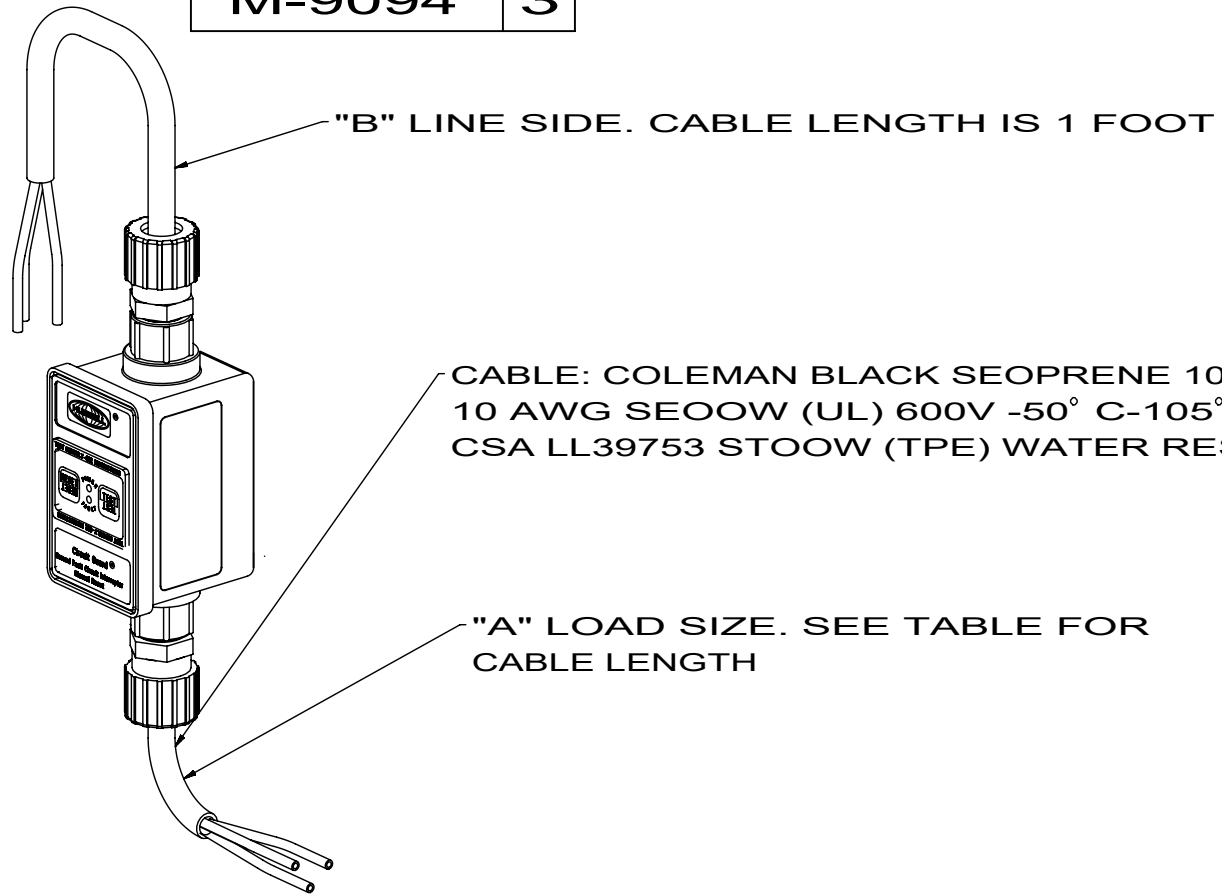


M-9094 3



(2) HUBBELL SHC 1038CR
3/4" CORD RANGE .75 -.88.



LIST OF PARTS

DESCRIPTION	MATERIAL	FINISH

CAT. NUMBER	CABLE LENGTH	RATING	REMARK
GFP-3305	6 FEET	120/240VAC MANUAL	
GFP-3315	6 FEET	120/240VAC AUTOMATIC	
GFP-5305	6 FEET	250VAC MANUAL 3 PHASE	
GFP-5315	6 FEET	250VAC AUTOMATIC 3 PHASE	
GFP-4305	6 FEET	120/208VAC MANUAL 3 PHASE	
GFP-4315	6 FEET	120/208VAC AUTOMATIC 3 PHASE	
GFP-3303	50 FEET	120/240VAC MANUAL	
GFPST4305	6 FEET	120/208VAC MANUAL 3 PHASE	SELF TEST
GFPST4315	6 FEET	120/208VAC AUTOMATIC 3 PHASE	SELF TEST

REV	DESCRIPTION	APP	DATE
3	ADDED SELF TEST CAT.# "-ST" TO TABLE PER DCN #221205026075. D.LI	D.LI	12/05/22
2	ADDED CABLE LENGTH COLUMN TO TABLE; ADDED "GFP-3303" TO TABLE; REVISED "A LOAD" & "B LINE" CALLOUT PER DCN 13367 RCM	JPP	9/1/06
1	INITIAL RELEASE PER DCN. 10717	SM	

THE DESIGN AND DIMENSIONS OF THE PRODUCT SHOWN ON THIS DRAWING ARE SUBJECT TO CHANGE WITHOUT NOTICE

TITLE
PORTABLE GFCI 30A SPLIT PHASE & 3 PHASE CIRCUIT GUARD SERIES MANUAL/AUTOMATIC WITH CORD

TOLERANCES UNLESS OTHERWISE SPECIFIED	WIRING DEVICE-KELLEMS HUBBELL INCORPORATED BRIDGEPORT, CT	
FRACTIONS ± 1/64	DR. BY TJV	APP. BY SM
DECIMALS ± .005	TR. BY	SCALE 1:2
ANGLES ± 2°	CHK'D BY SM	DATE 5-13-03

DIMENSION SHEET FOR CAT. NO.
 REPAIRABLE NON-REPAIRABLE
 SEE TABLE
 B M-9094 3