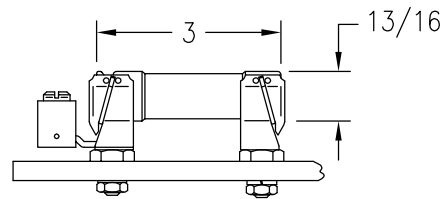
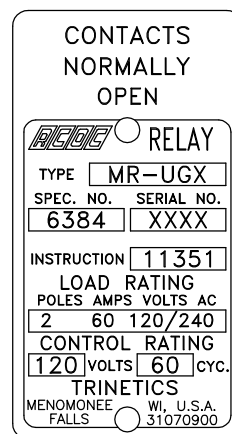


CONTROL TERMINALS WILL ACCEPT #6 THRU #14 AWG WIRE
 LINE/LOAD TERMINALS WILL ACCEPT #4 THRU #1/0 AWG WIRE

DIE-CAST ALUMINUM WEATHERPROOF CASE WITH BRACKET

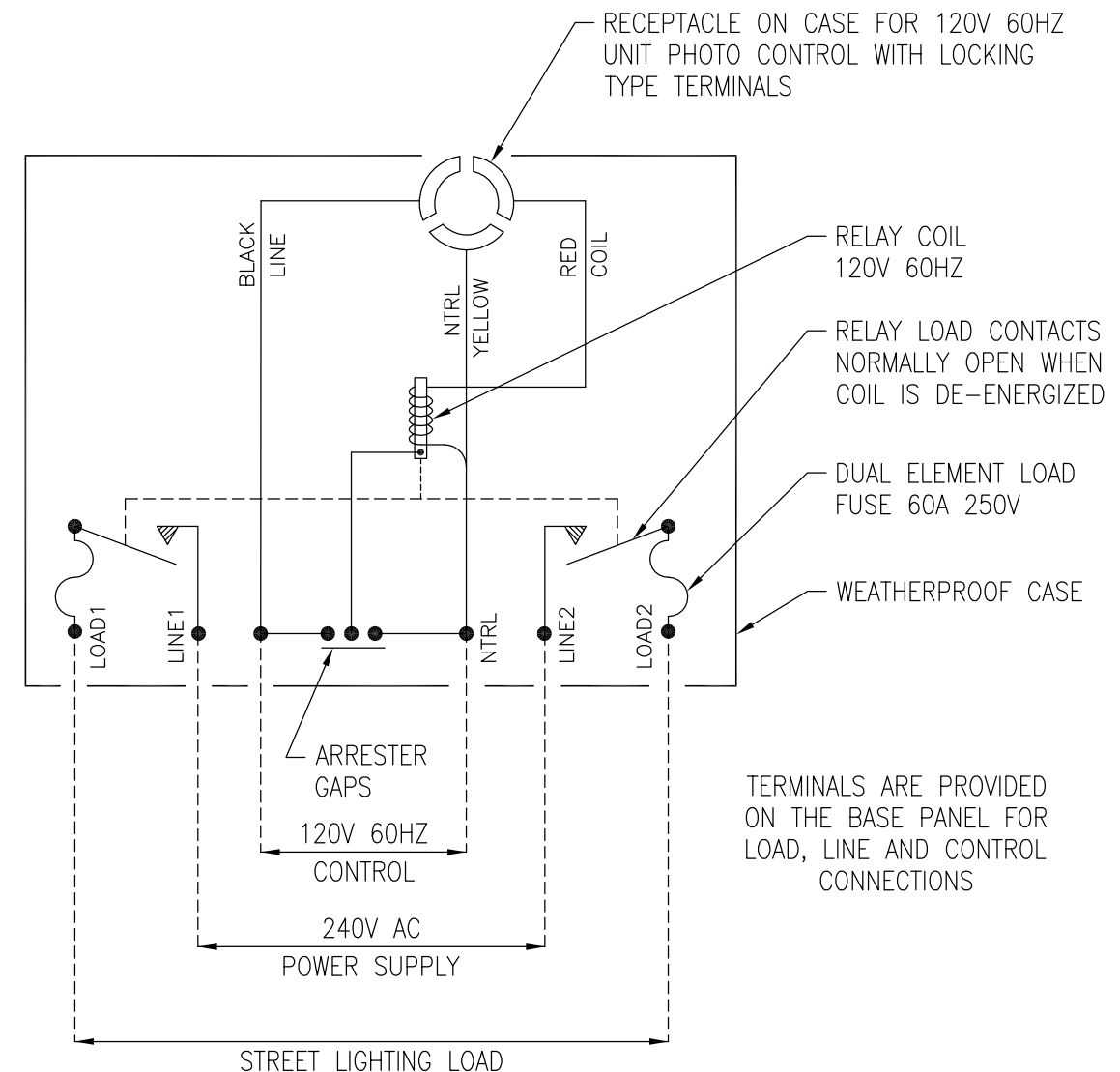


FUSE - DUAL ELEMENT, TIME DELAY, CLASS RK5 - 250V/60A



NAMEPLATE DETAIL

WIRING DIAGRAM



1. THE RECEPTACLE IS ADJUSTABLE FOR NORTH ORIENTATION IN ACCORDANCE WITH THE REQUIREMENTS OF EEI-STANDARD NO. TDJ-148.
2. THE PHOTO-CONTROL SHOULD OPERATE TO ENERGIZE THE RELAY COIL DURING THE ON SCHEDULE FOR THE STREET LIGHTING CIRCUIT.
3. SINCE STREET LIGHTING LOADS ARE CONTINUOUSLY ENERGIZED FOR LONG PERIODS, THE CONNECTED LOAD SHOULD NOT EXCEED 80% OF THE FUSE RATING. LOAD CALCULATIONS SHOULD BE BASED ON THE RATING OF THE BALLASTS, TRANSFORMERS, OR REACTORS AND NOT ON THE WATTAGE OF THE LAMPS.

THIS DRAWING AND ALL INFORMATION THEREON IS THE SOLE PROPERTY OF TRINETICS. IT MUST NOT BE COPIED, REPRODUCED OR SUBMITTED TO OTHERS WITHOUT WRITTEN AUTHORIZATION. ALL REPRODUCTIONS ARE SUBJECT TO RETURN ON DEMAND.

		RELAY ASSEMBLY MR-UGX SPEC 6384	
		DRAWN BY G Pietschmann	DATE 7/14/11
THIRD ANGLE PROJECTION	SIZE B	APPROX. WEIGHT 9 LB	SCALE 5/16
ALL DIMENSIONS ARE IN INCHES UNLESS OTHERWISE SPECIFIED		FAMILY ID C1643	