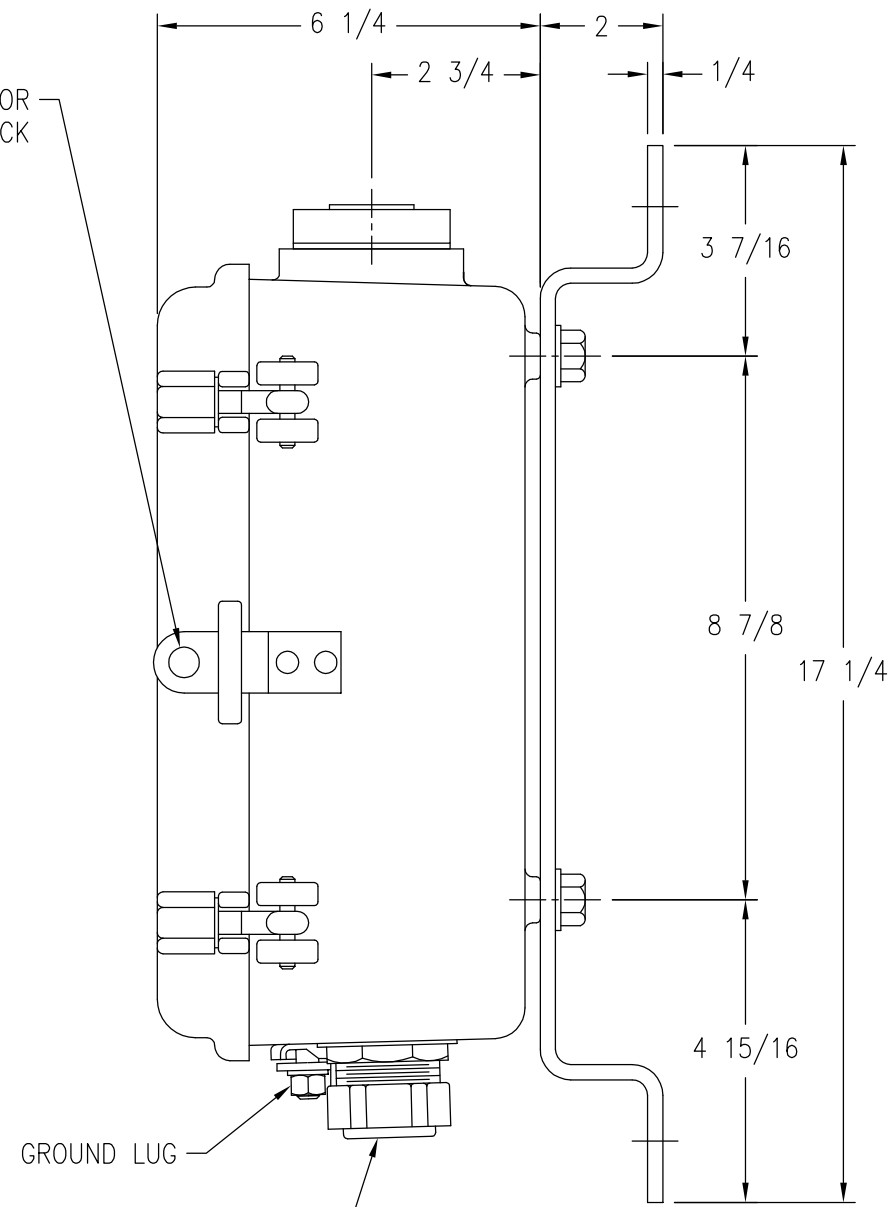
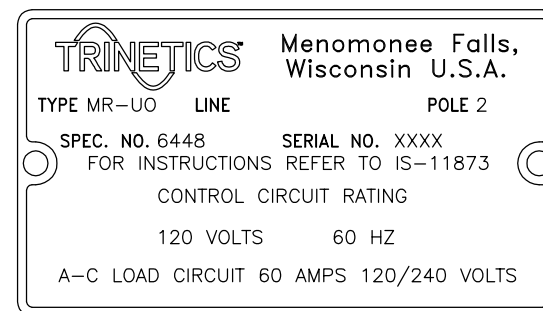


CONTROL TERMINALS WILL ACCEPT #6 THRU #14 AWG WIRE  
 LINE/LOAD TERMINALS WILL ACCEPT #4 THRU #1/0 AWG WIRE



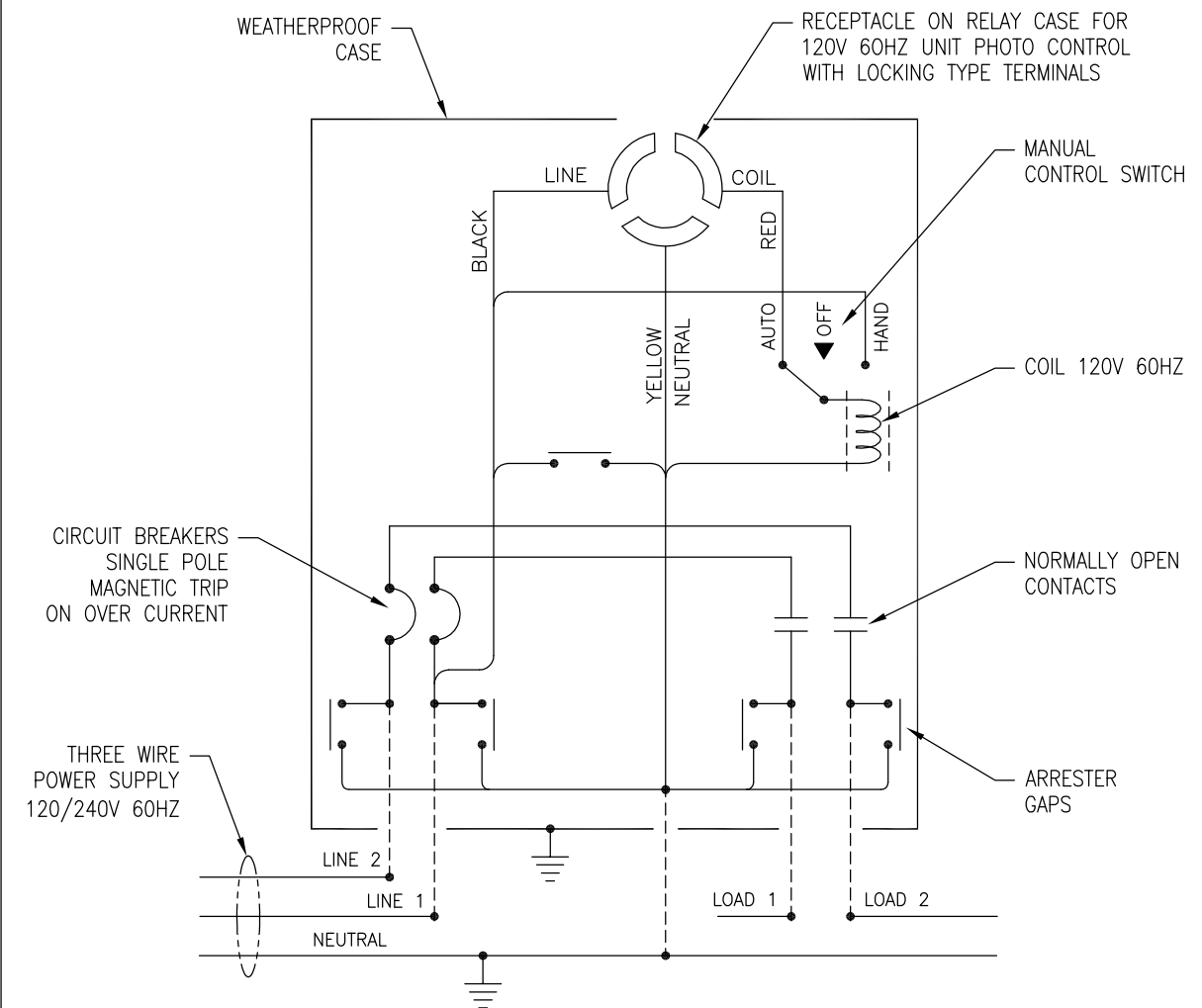
(2) COMPRESSION CONNECTORS WITH NEOPRENE BUSHINGS WITH OVAL HOLES FOR 0.547x0.89 TO 0.687x1.031 CABLE OD

CAST ALUMINUM WEATHERPROOF CASE WITH BRACKET



NAMEPLATE DETAIL

CONNECTIONS FOR TYPE MR-UO 2P RELAY  
 RATED 60A 120/240V 60HZ WITH PHOTO CONTROL UNIT



1. THE NEUTRAL TERMINAL MUST BE CONNECTED TO THE CASE GROUND TERMINAL OR TO THE SYSTEM NEUTRAL TO ASSURE AN EFFECTIVE GROUND FOR THE LIGHTNING ARRESTERS AND THE COIL.
2. THE CONTROL CIRCUIT RATING IS SHOWN ON THE NAMEPLATE. THE CONTACTS FOR THE PHOTO CONTROL USED WITH THIS RELAY MUST CLOSE TO ENERGIZE THE RELAY COIL.
3. THE LOAD CIRCUIT RATING IS SHOWN ON THE NAMEPLATE. THIS RELAY IS RECOMMENDED FOR SWITCHING THE POWER TO LOADS WITH 45% MIN. POWER FACTOR. RELAY LOADING SHOULD NOT EXCEED 80% OF THE CIRCUIT BREAKER RATING. THE CIRCUIT BREAKERS SUPPLIED WITH THESE RELAYS HAVE A 10,000 AMP SHORT CIRCUIT INTERRUPTING CAPACITY AT 250V AND A 5,000 AMP SHORT CIRCUIT INTERRUPTING CAPACITY AT 480V.

THIS DRAWING AND ALL INFORMATION THEREON IS THE SOLE PROPERTY OF TRINETICS. IT MUST NOT BE COPIED, REPRODUCED OR SUBMITTED TO OTHERS WITHOUT WRITTEN AUTHORIZATION. ALL REPRODUCTIONS ARE SUBJECT TO RETURN ON DEMAND.

		<b>RELAY ASSEMBLY</b> <b>MR-UO SPEC 6448</b>		DATE 12/09/11		PART NUMBER	
				31198201		DRAWN BY M Matuszewski	
ALL DIMENSIONS ARE IN INCHES UNLESS OTHERWISE SPECIFIED		FAMILY ID C1643		APPROX. WEIGHT 9 LB		SCALE 5/16	