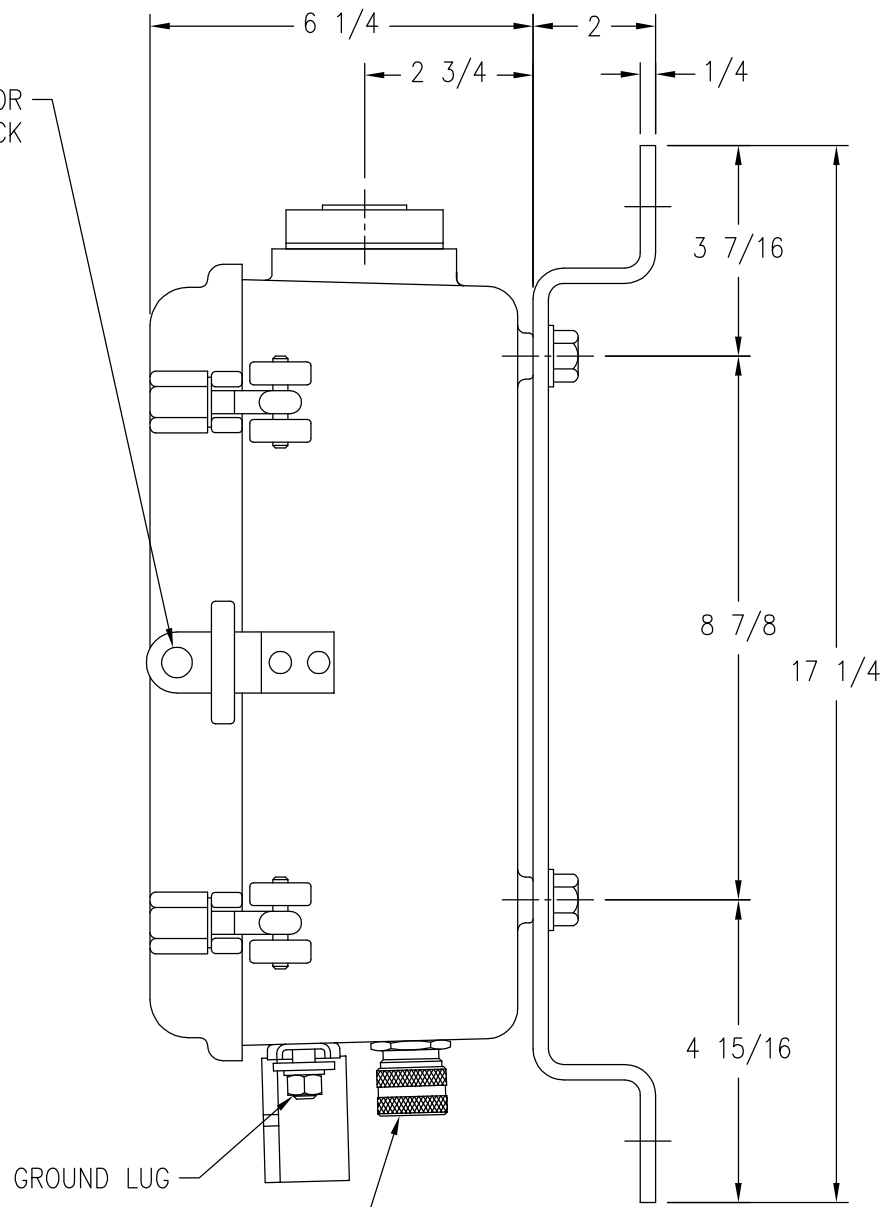


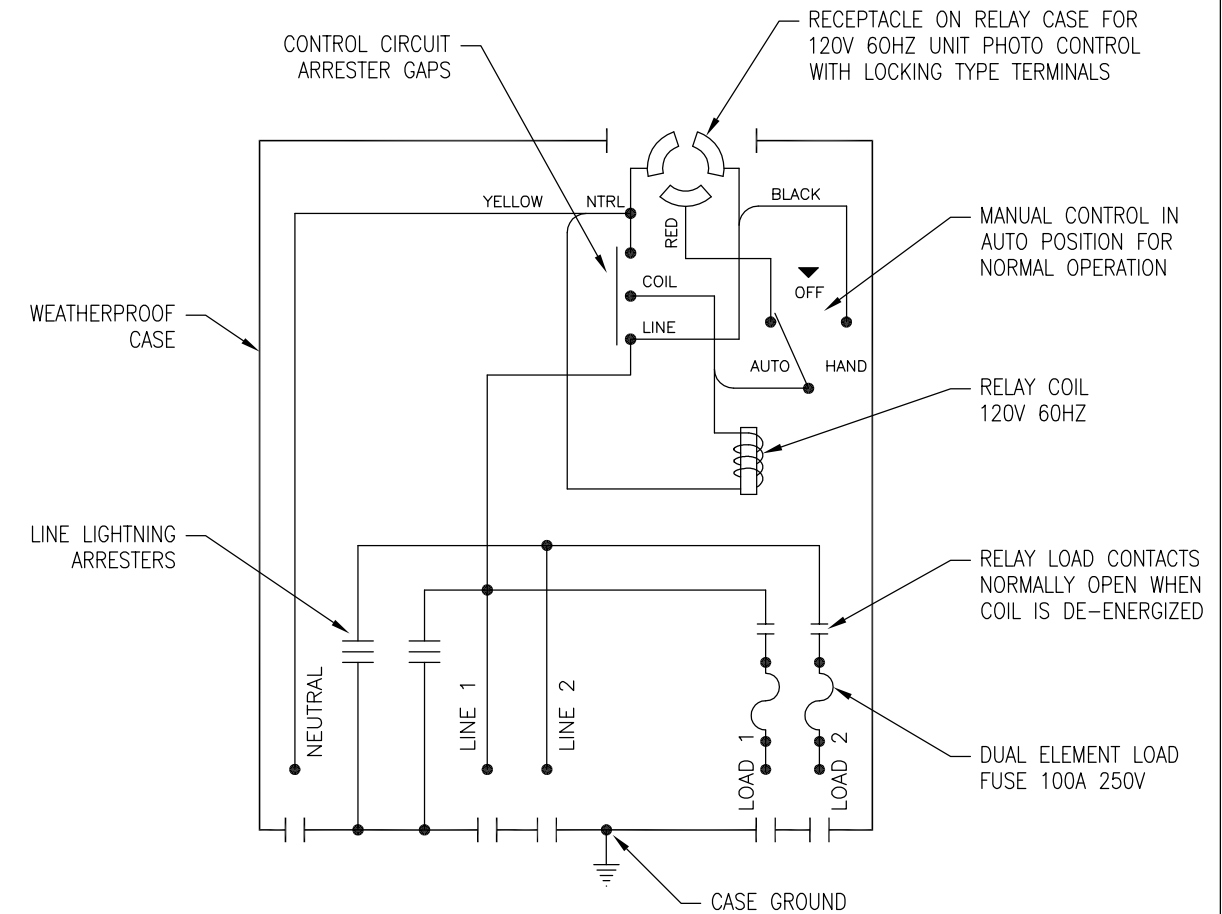
(4) COMPRESSION CONNECTORS WITH NEOPRENE BUSHINGS FOR .375-.500 OD CABLES AND (1) GROMMET 5/16 MAX CABLE OD

CONTROL TERMINALS WILL ACCEPT #6 THRU #14 AWG WIRE  
LINE/LOAD TERMINALS WILL ACCEPT #4 THRU #1/0 AWG WIRE



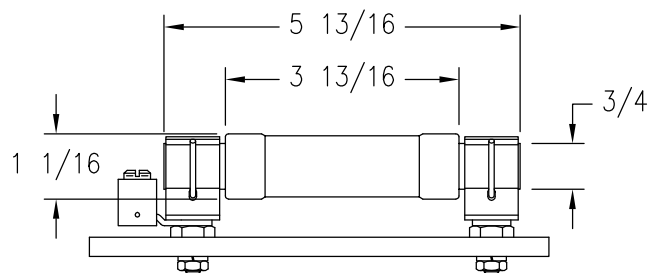
CAST ALUMINUM WEATHERPROOF CASE WITH BRACKET

CONNECTIONS FOR TYPE MR-YNE 2P RELAY RATED  
100A 120/240V 60HZ WITH PHOTO CONTROL UNIT

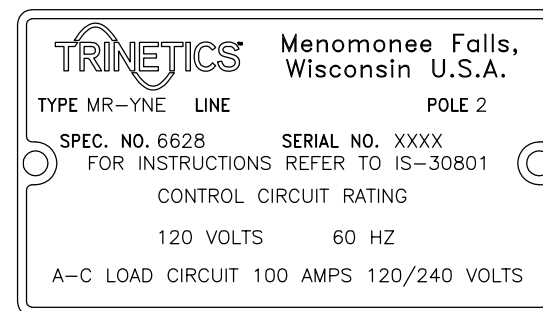


1. THE NEUTRAL TERMINAL MUST BE CONNECTED TO THE CASE GROUND TERMINAL OR TO THE SYSTEM NEUTRAL TO ASSURE AN EFFECTIVE GROUND FOR THE LIGHTNING ARRESTERS AND THE COIL. THE CASE MUST BE GROUNDED FOR THE LINE LIGHTNING ARRESTERS TO BE EFFECTIVE.
2. THE CONTROL CIRCUIT RATING IS SHOWN ON THE NAMEPLATE. THE CONTACTS OF THE PHOTO CONTROL USED WITH THIS RELAY MUST CLOSE TO ENERGIZE THE RELAY COIL. THE RECEPTACLE ON THE CASE IS ADJUSTABLE FOR NORTH ORIENTATION.
3. THE LOAD CIRCUIT RATING IS SHOWN ON THE NAMEPLATE. THIS RELAY IS RECOMMENDED FOR SWITCHING THE POWER TO LOADS WITH 45% MIN. POWER FACTOR. RELAY LOADING SHOULD NOT EXCEED 80% OF THE FUSE RATING. THE DUAL ELEMENT FUSES SUPPLIED WITH THESE RELAYS HAVE A 200,000 AMP. SHORT CIRCUIT INTERRUPTING CAPACITY.

THIS DRAWING AND ALL INFORMATION THEREON IS THE SOLE PROPERTY OF TRINETICS. IT MUST NOT BE COPIED, REPRODUCED OR SUBMITTED TO OTHERS WITHOUT WRITTEN AUTHORIZATION. ALL REPRODUCTIONS ARE SUBJECT TO RETURN ON DEMAND.



FUSE - DUAL ELEMENT, TIME DELAY, CLASS RK5 - 250V/100A



NAMEPLATE DETAIL

		<b>RELAY ASSEMBLY</b> <b>MR-YNE SPEC 6628</b>	
	THIRD ANGLE PROJECTION	SIZE <b>B</b>	DRAWN BY M Matuszewski
ALL DIMENSIONS ARE IN INCHES UNLESS OTHERWISE SPECIFIED	FAMILY ID C1643	APPROX. WEIGHT 24 LB	DATE 11/26/11
		SCALE 5/16	PART NUMBER <b>33081600</b>