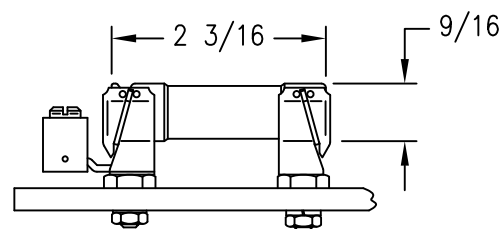
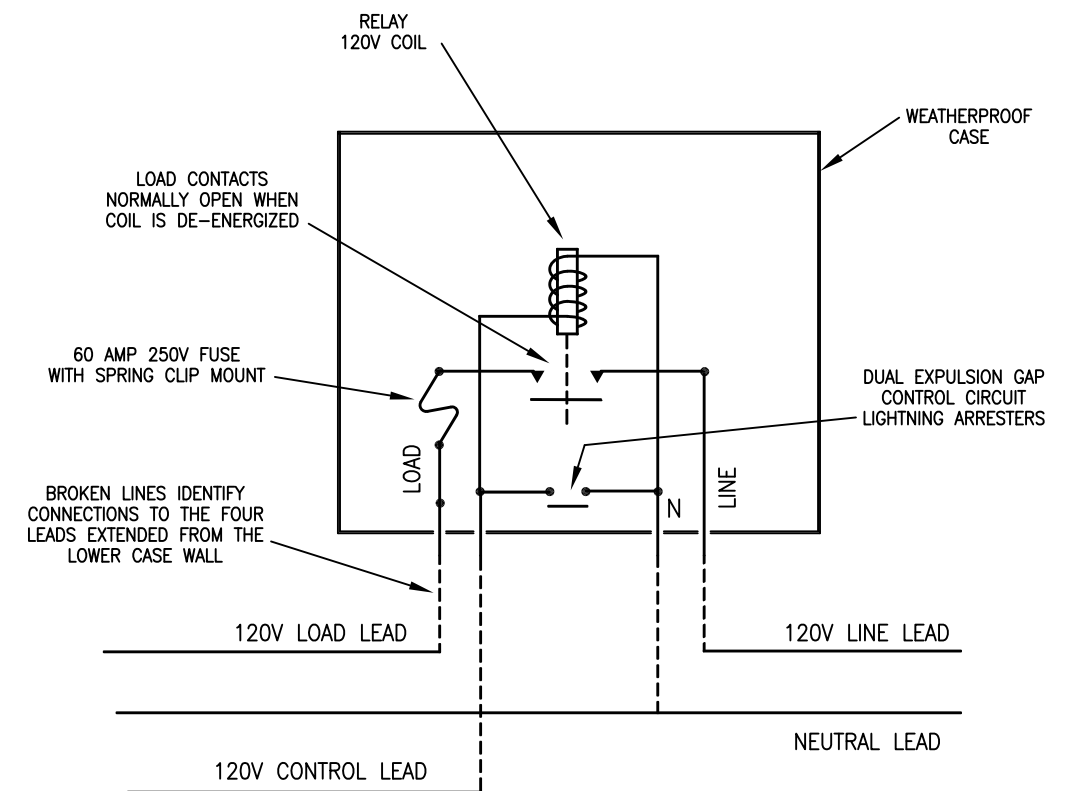
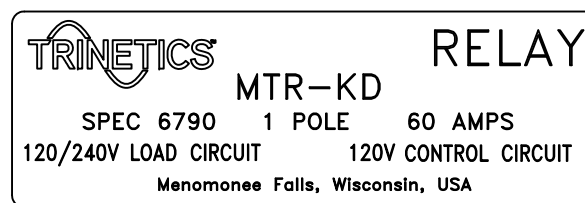


LEXAN WEATHERPROOF CASE, GRAY

WIRING DIAGRAM



FUSE - DUAL ELEMENT, TIME DELAY, CLASS RK5 - 250V/60A



NAMEPLATE DETAIL

THIS DRAWING AND ALL INFORMATION THEREON IS THE SOLE PROPERTY OF TRINETICS. IT MUST NOT BE COPIED, REPRODUCED OR SUBMITTED TO OTHERS WITHOUT WRITTEN AUTHORIZATION. ALL REPRODUCTIONS ARE SUBJECT TO RETURN ON DEMAND.



MERCURY RELAY ASSEMBLY  
 MTR-KD SPEC 6790

THIRD ANGLE PROJECTION	SIZE <b>B</b>	DRAWN BY G Pietschmann	DATE 3/4/12	PART NUMBER <b>33132200</b>
	ALL DIMENSIONS ARE IN INCHES UNLESS OTHERWISE SPECIFIED	FAMILY ID C1643	APPROX. WEIGHT 4 LB	SCALE FULL