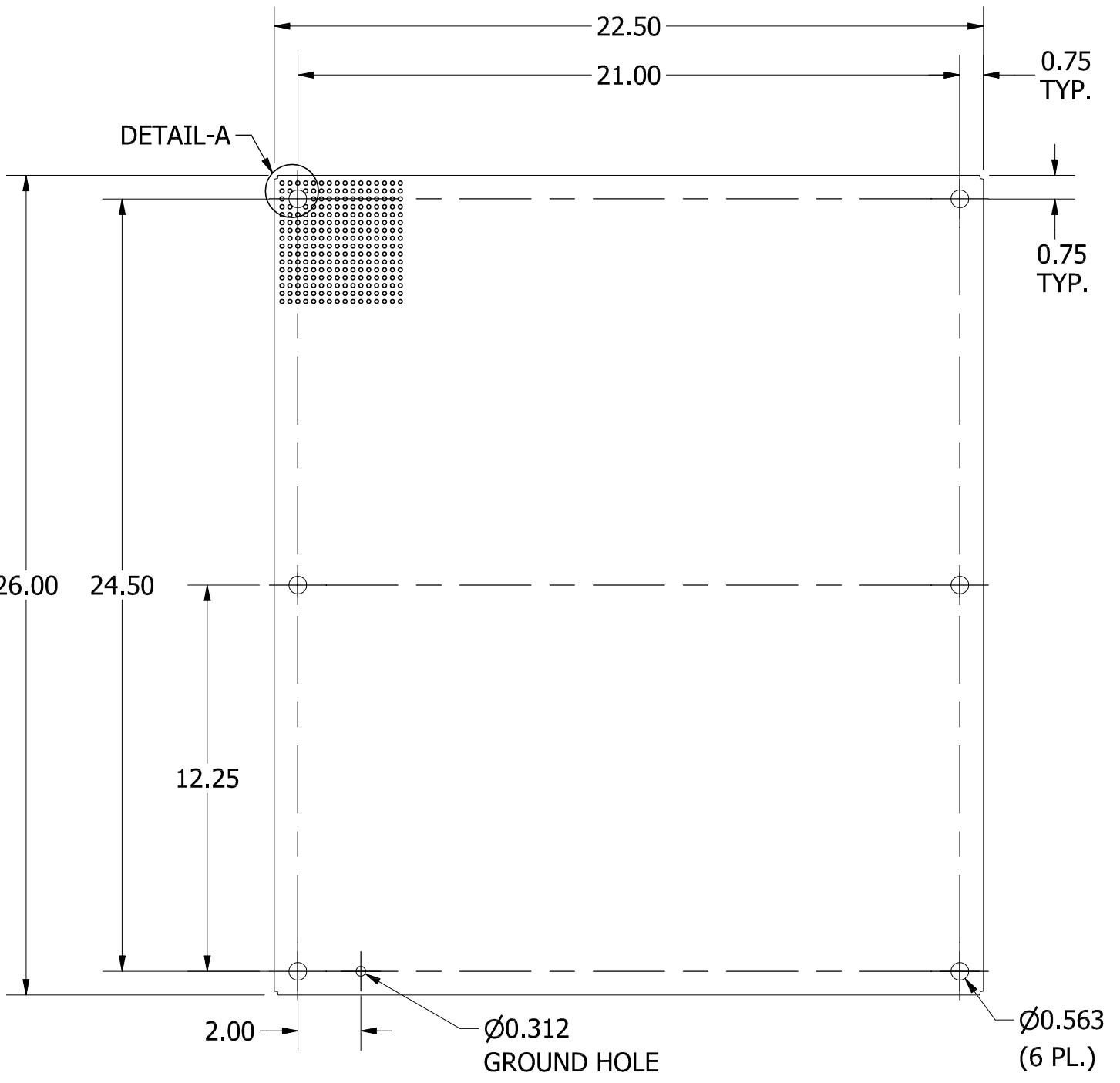
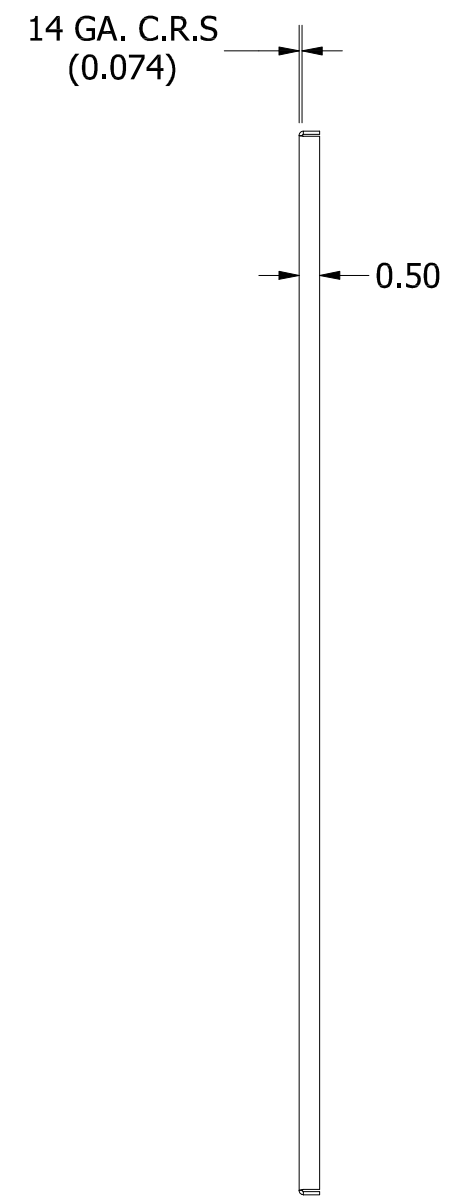


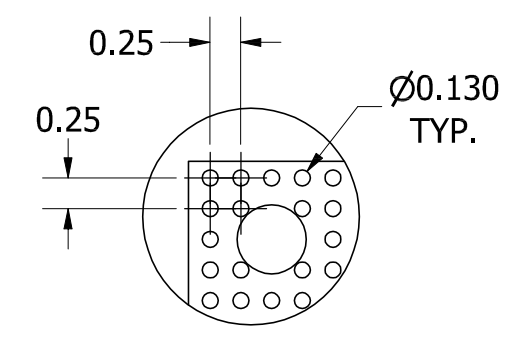
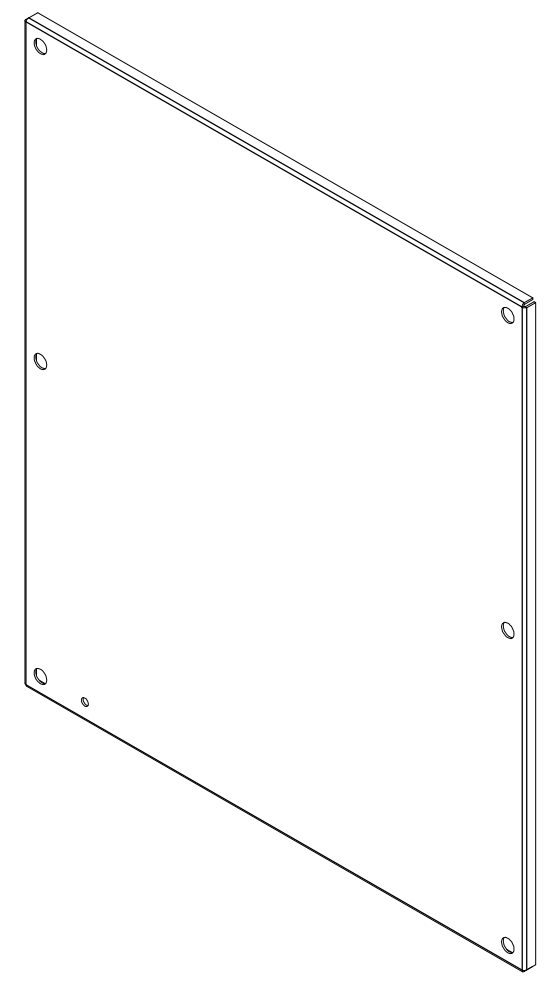
TOP VIEW



FRONT VIEW



SIDE VIEW



DETAIL-A  
(PERFORATED DETAIL)

PART#: N1P2430PP  
(DATA SUBJECT TO CHANGE WITHOUT NOTICE)

THIS DRAWING IS PROPERTY OF HUBBELL INC. WIEGMANN  
ALL INFORMATION IS PROPRIETARY AND NOT TO BE DUPLICATED