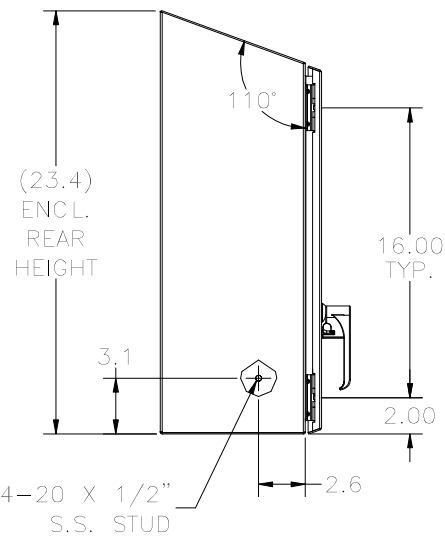
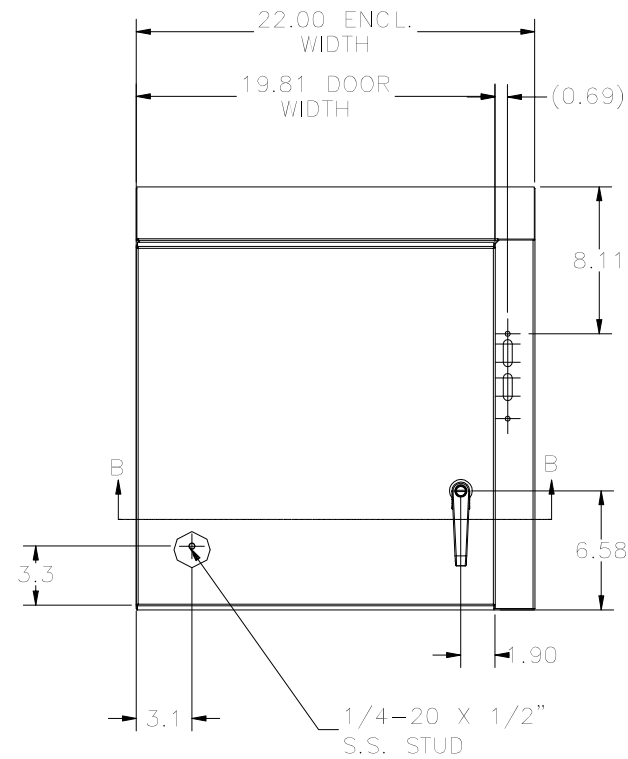


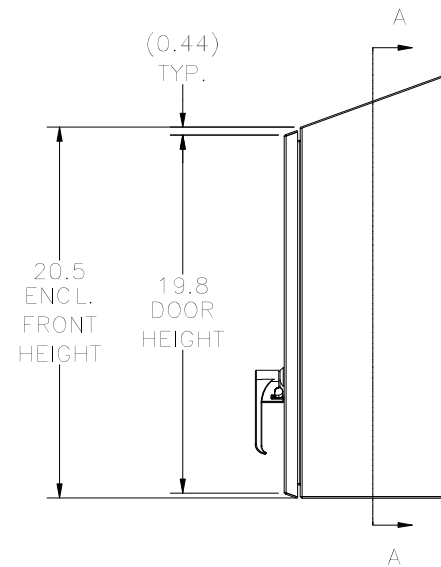
**REF. VIEW (DOOR OPEN)**



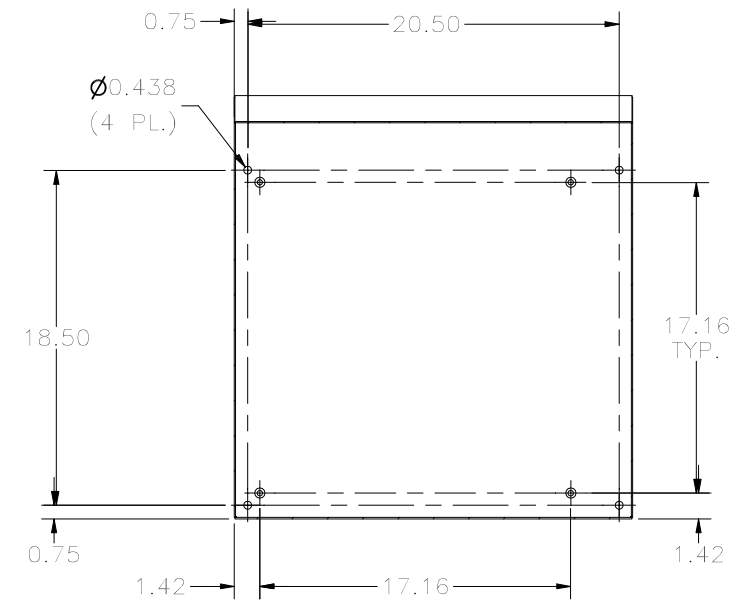
**LEFT SIDE VIEW**



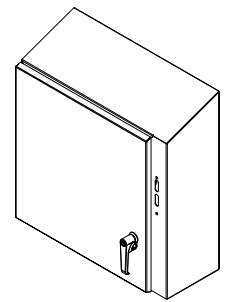
**FRONT VIEW**



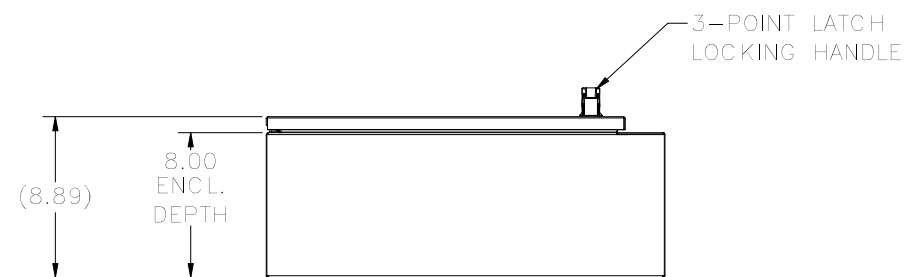
**RIGHT SIDE VIEW**



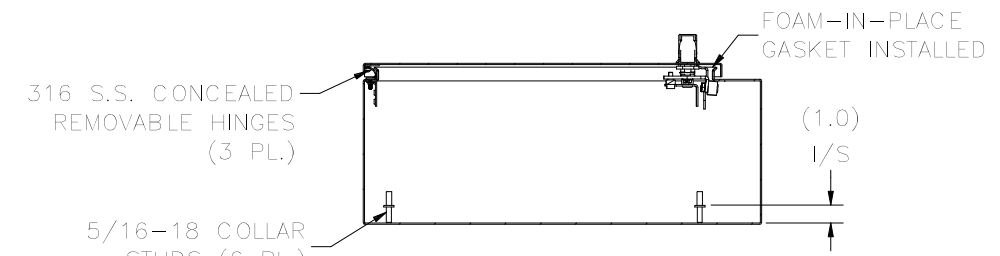
**SECTION A-A VIEW (INSIDE BACK OF ENCL.)**



**REF. VIEW (DOOR CLOSED)**



**BOTTOM VIEW**



**SECTION B-B VIEW (INSIDE TOP OF ENCL.)**

PART#: N412202208C STD  
(DATA SUBJECT TO CHANGE WITHOUT NOTICE)

THIS DRAWING IS PROPERTY OF HUBBELL INC. WIEGMANN  
ALL INFORMATION IS PROPRIETARY AND NOT TO BE DUPLICATED