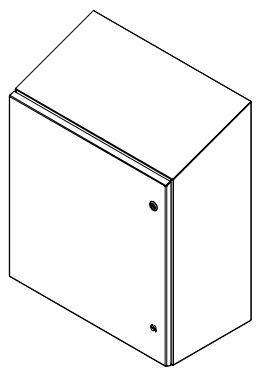
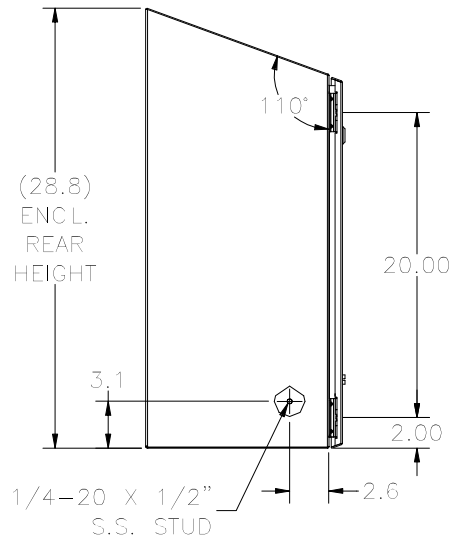
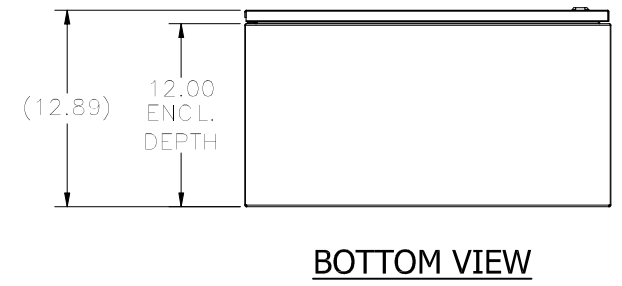
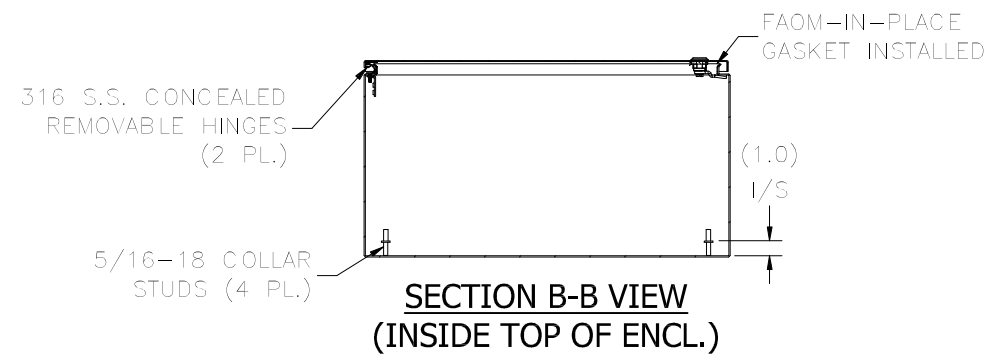
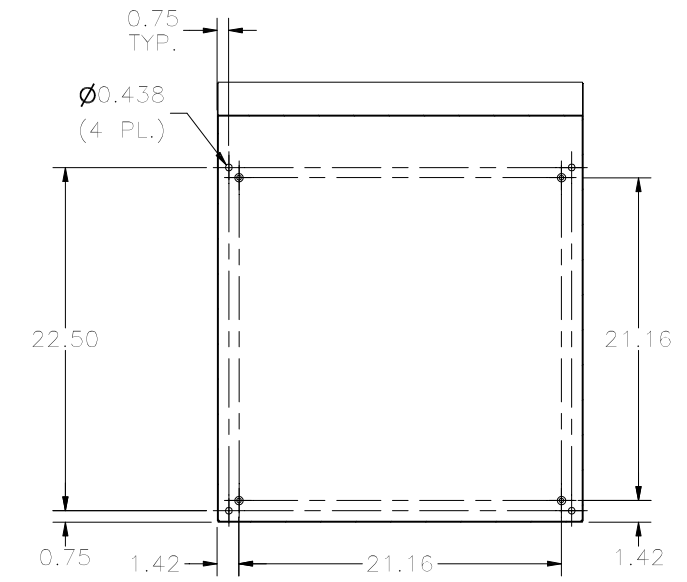
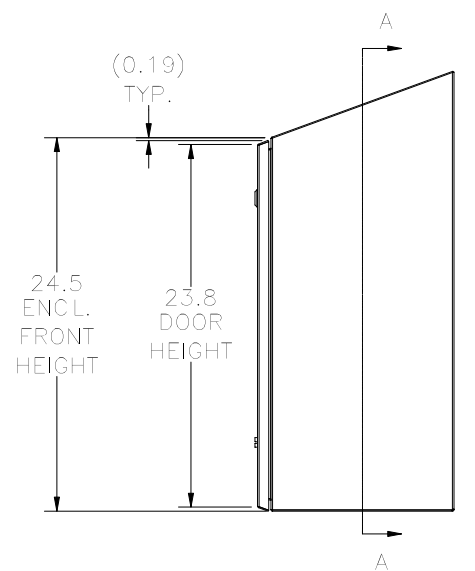
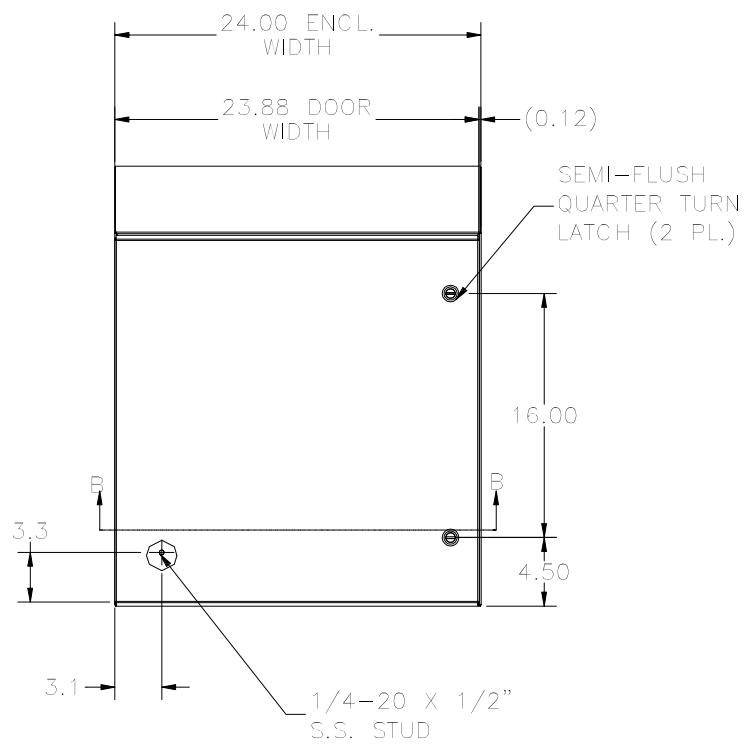


**REF. VIEW  
(DOOR OPEN)**



**REF. VIEW  
(DOOR CLOSED)**



PART#: N412242412C ST  
(DATA SUBJECT TO CHANGE WITHOUT NOTICE)

THIS DRAWING IS PROPERTY OF HUBBELL INC. WIEGMANN  
ALL INFORMATION IS PROPRIETARY AND NOT TO BE DUPLICATED