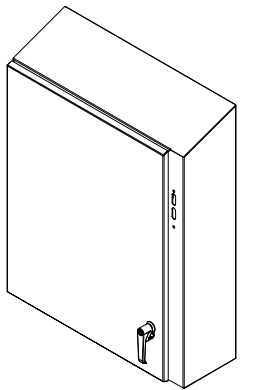
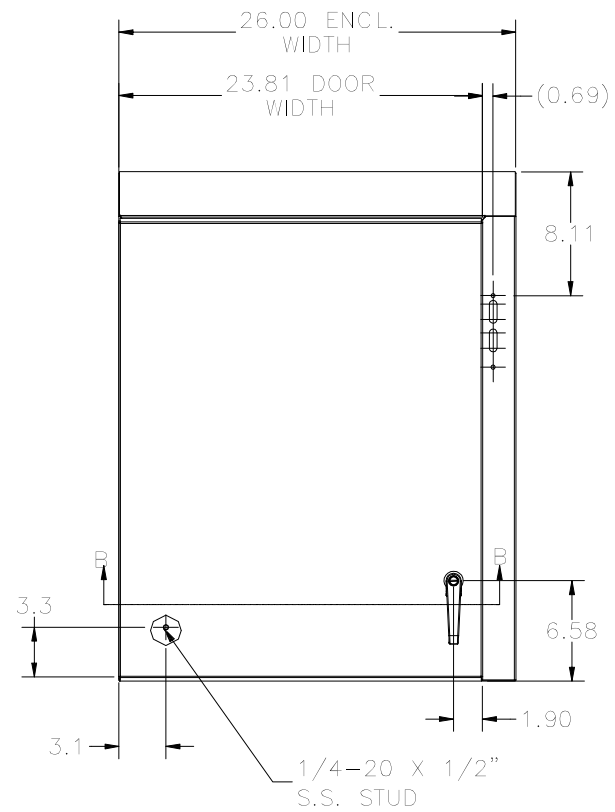


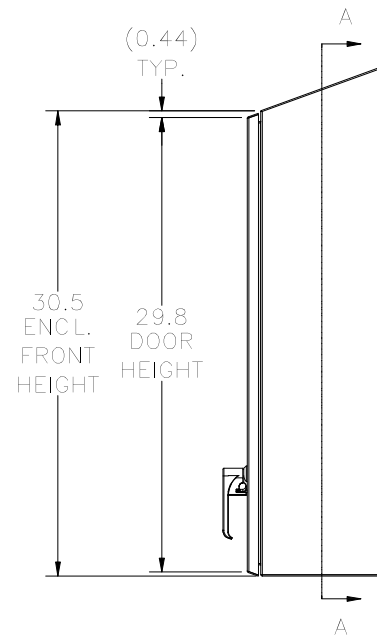
REF. VIEW (DOOR OPEN)



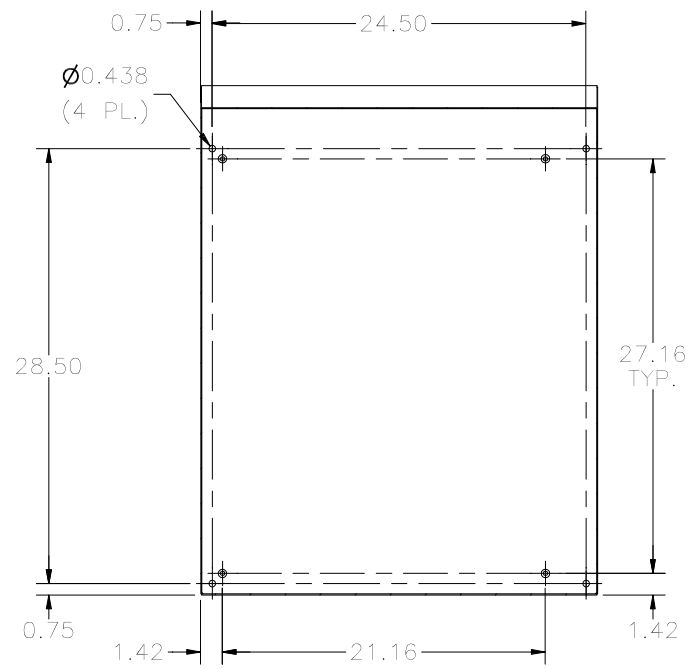
REF. VIEW (DOOR CLOSED)



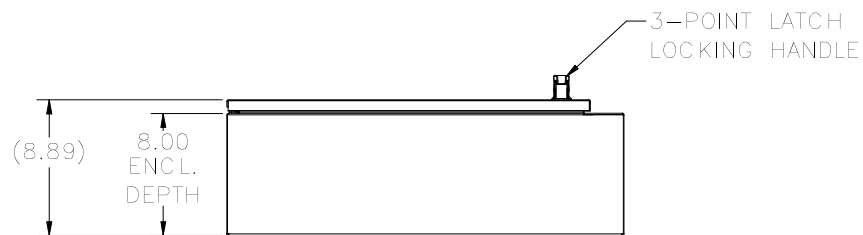
FRONT VIEW



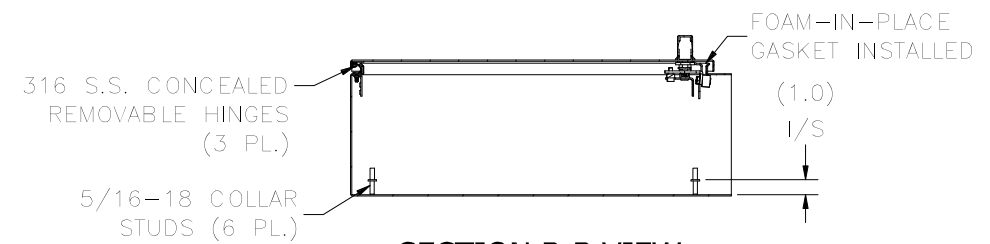
RIGHT SIDE VIEW



SECTION A-A VIEW (INSIDE BACK OF ENCL.)



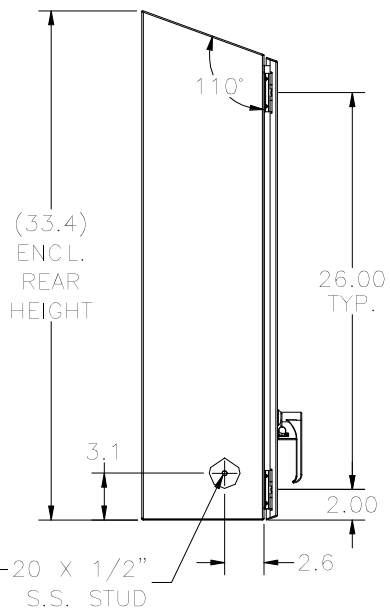
BOTTOM VIEW



SECTION B-B VIEW (INSIDE TOP OF ENCL.)

PART#: N412302608C STD
(DATA SUBJECT TO CHANGE WITHOUT NOTICE)

THIS DRAWING IS PROPERTY OF HUBBELL INC. WIEGMANN
ALL INFORMATION IS PROPRIETARY AND NOT TO BE DUPLICATED



LEFT SIDE VIEW