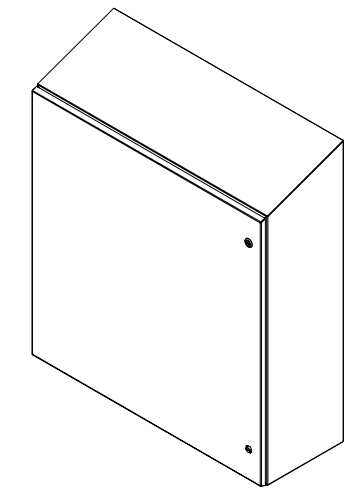
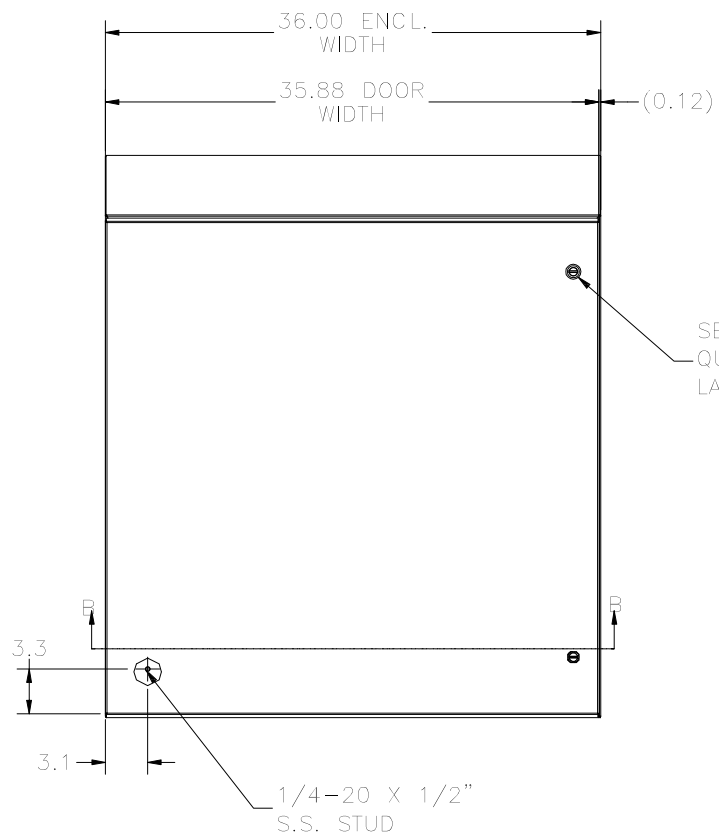


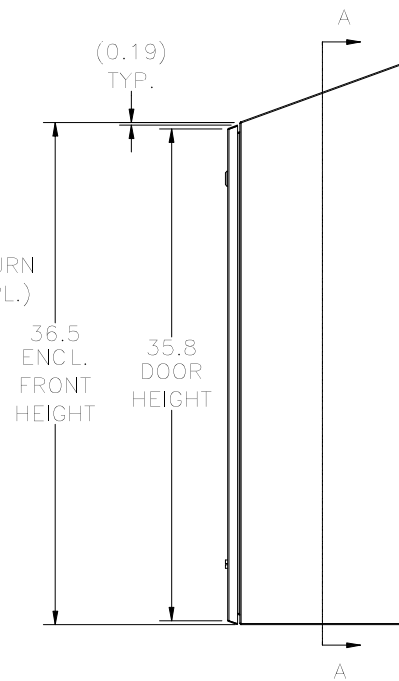
**REF. VIEW
(DOOR OPEN)**



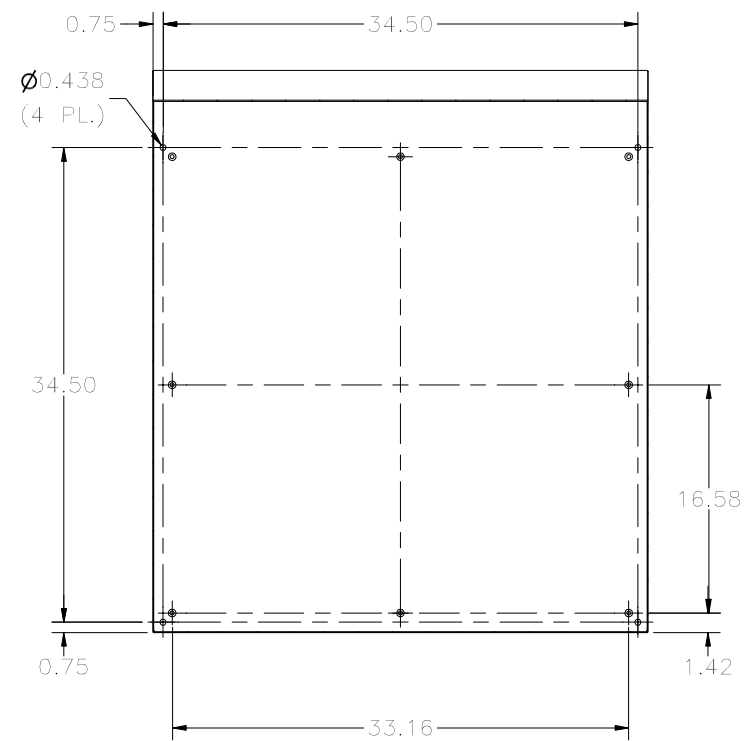
**REF. VIEW
(DOOR CLOSED)**



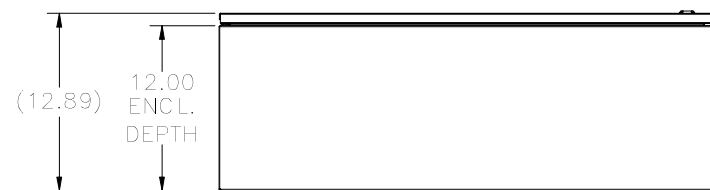
FRONT VIEW



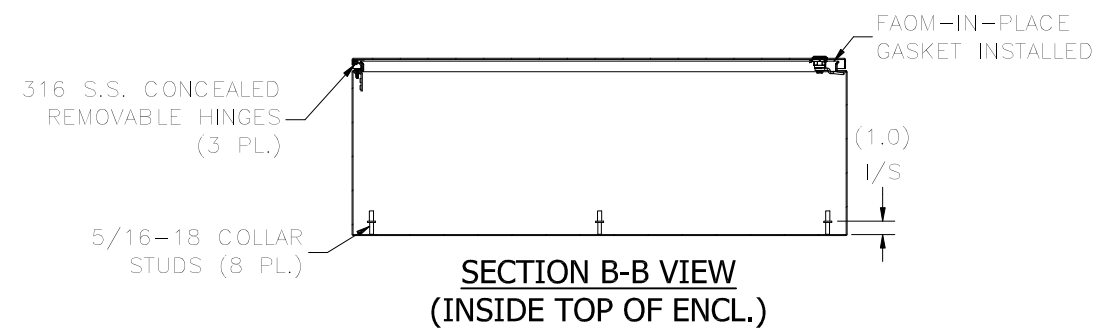
RIGHT SIDE VIEW



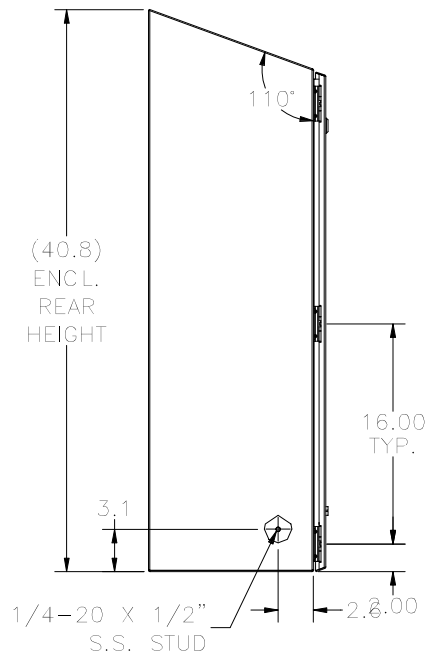
**SECTION A-A VIEW
(INSIDE BACK OF ENCL.)**



BOTTOM VIEW



**SECTION B-B VIEW
(INSIDE TOP OF ENCL.)**



LEFT SIDE VIEW

PART#: N412363612C ST
(DATA SUBJECT TO CHANGE WITHOUT NOTICE)

THIS DRAWING IS PROPERTY OF HUBBELL INC. WIEGMANN
ALL INFORMATION IS PROPRIETARY AND NOT TO BE DUPLICATED