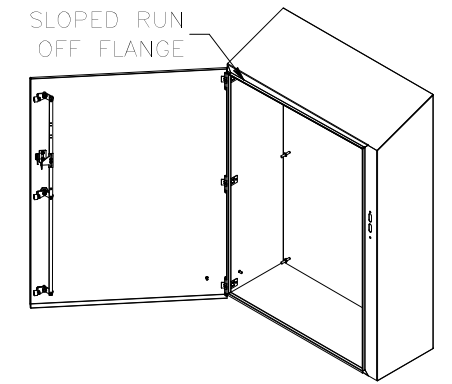
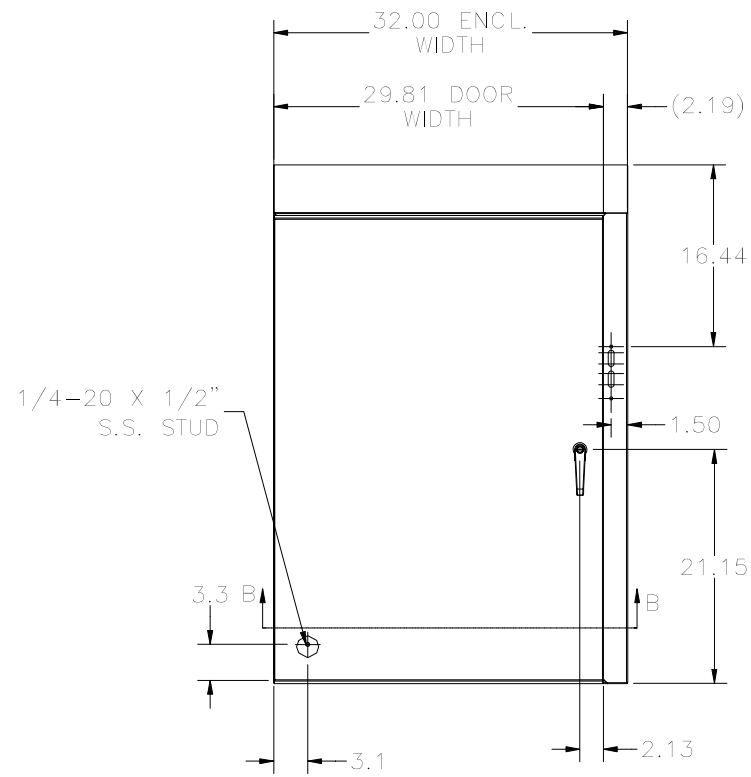


TOP VIEW



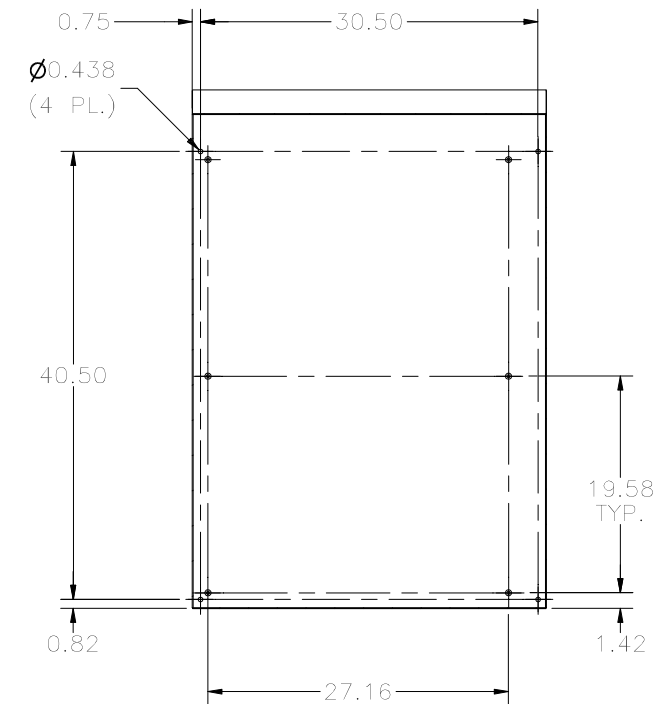
REF. VIEW (DOOR OPEN)



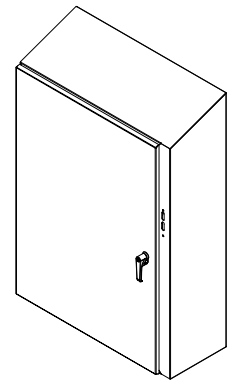
FRONT VIEW



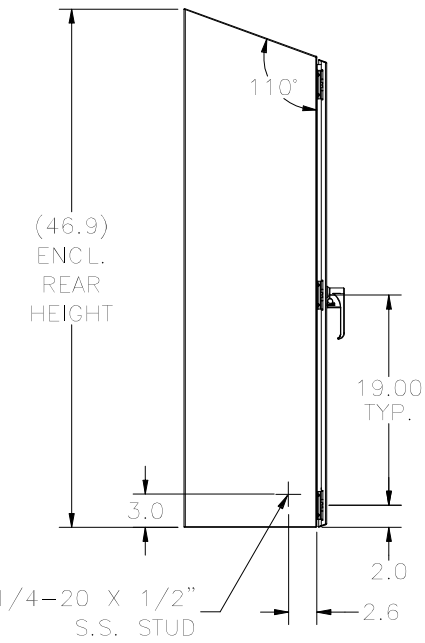
RIGHT SIDE VIEW



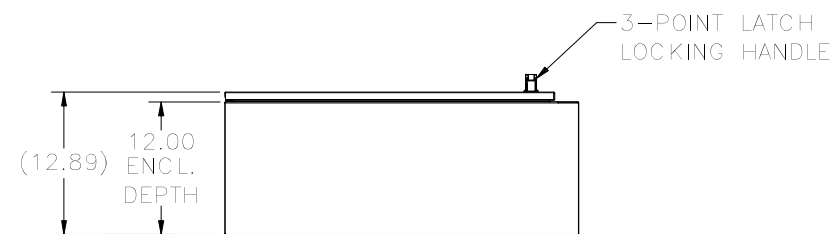
SECTION A-A VIEW (INSIDE BACK OF ENCL.)



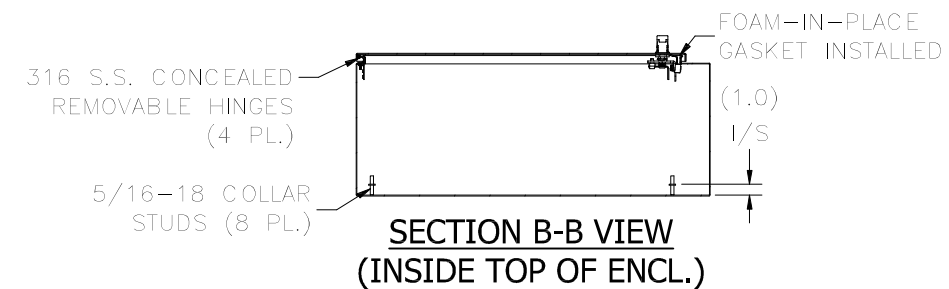
REF. VIEW (DOOR CLOSED)



LEFT SIDE VIEW



BOTTOM VIEW



SECTION B-B VIEW (INSIDE TOP OF ENCL.)

PART#: N412423212C STD
(DATA SUBJECT TO CHANGE WITHOUT NOTICE)

THIS DRAWING IS PROPERTY OF HUBBELL INC. WIEGMANN
ALL INFORMATION IS PROPRIETARY AND NOT TO BE DUPLICATED