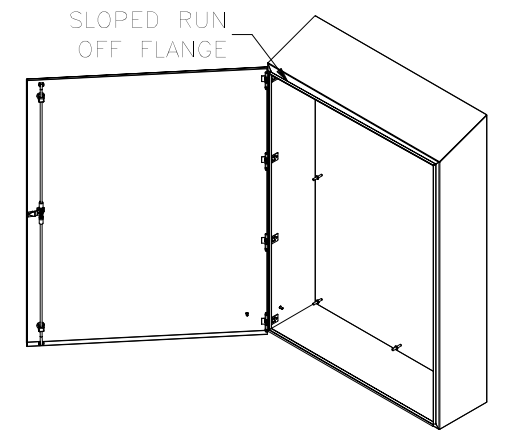
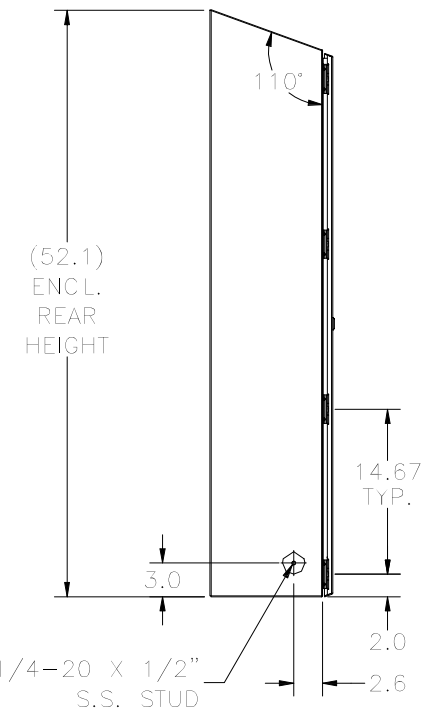


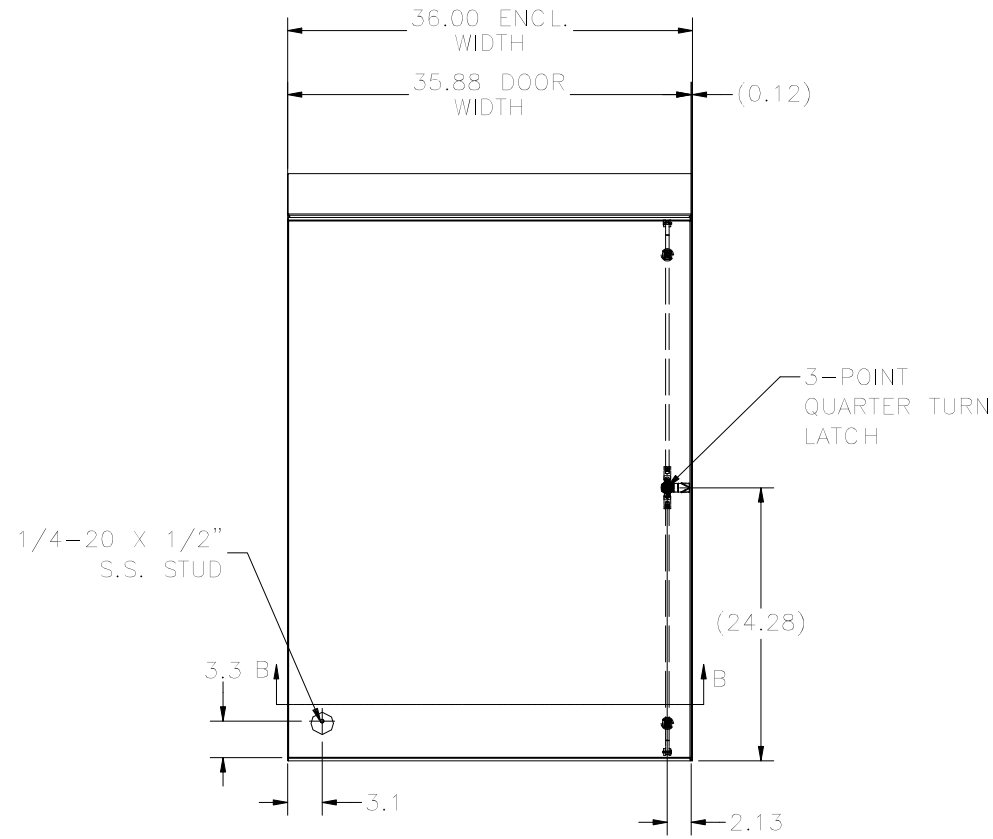
TOP VIEW



REF. VIEW (DOOR OPEN)



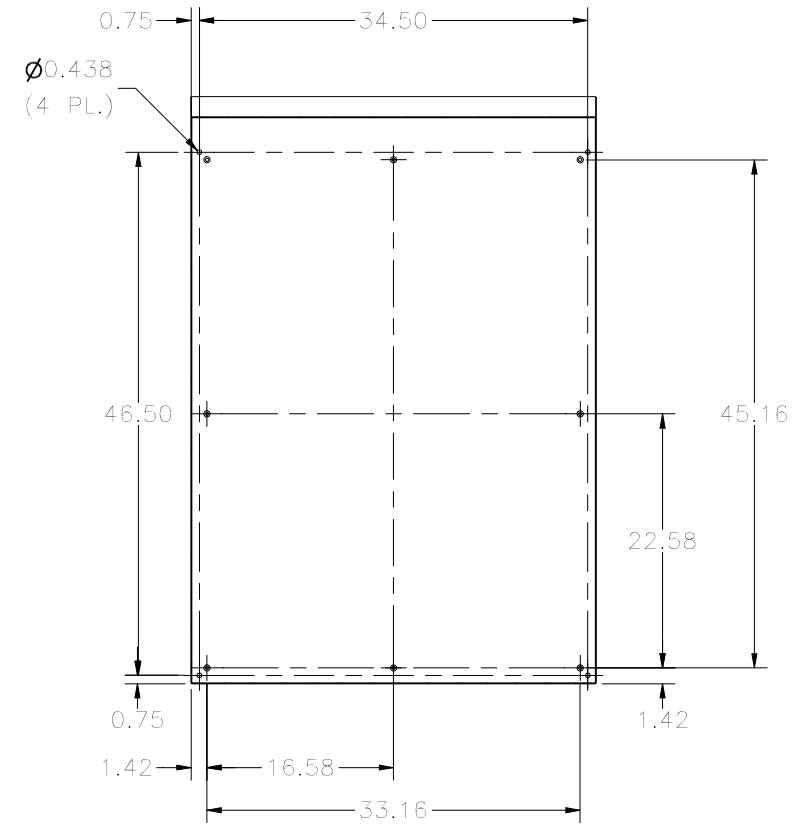
LEFT SIDE VIEW



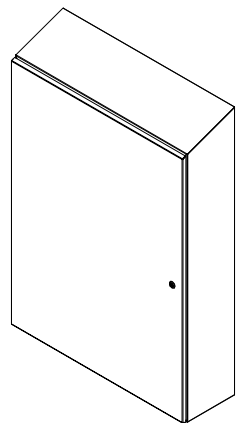
FRONT VIEW



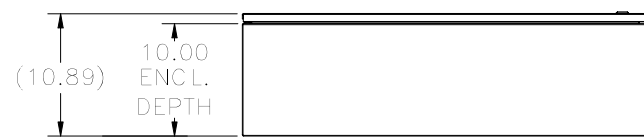
RIGHT SIDE VIEW



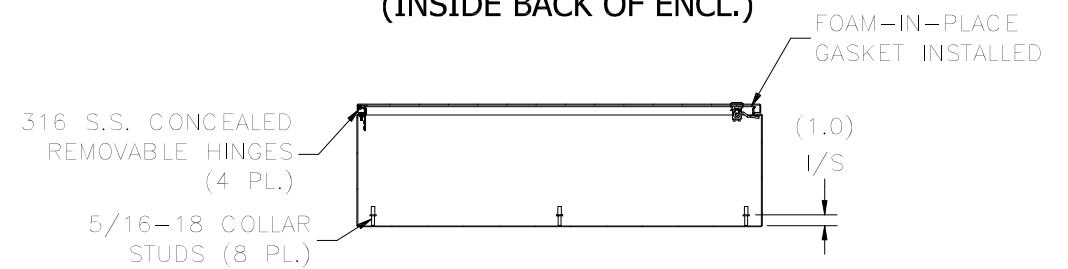
SECTION A-A VIEW (INSIDE BACK OF ENCL.)



REF. VIEW (DOOR CLOSED)



BOTTOM VIEW



SECTION B-B VIEW (INSIDE TOP OF ENCL.)

PART#: N412483610CST
 (DATA SUBJECT TO CHANGE WITHOUT NOTICE)