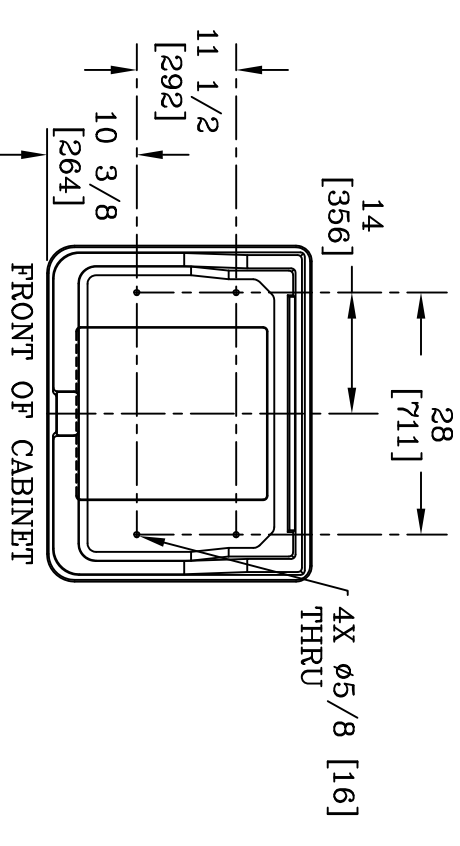
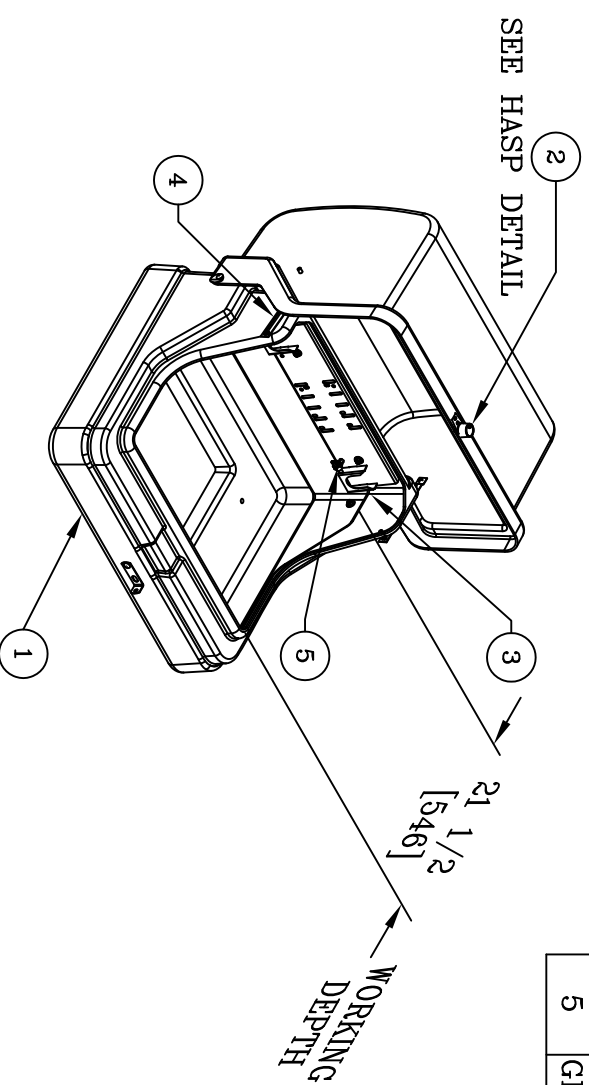
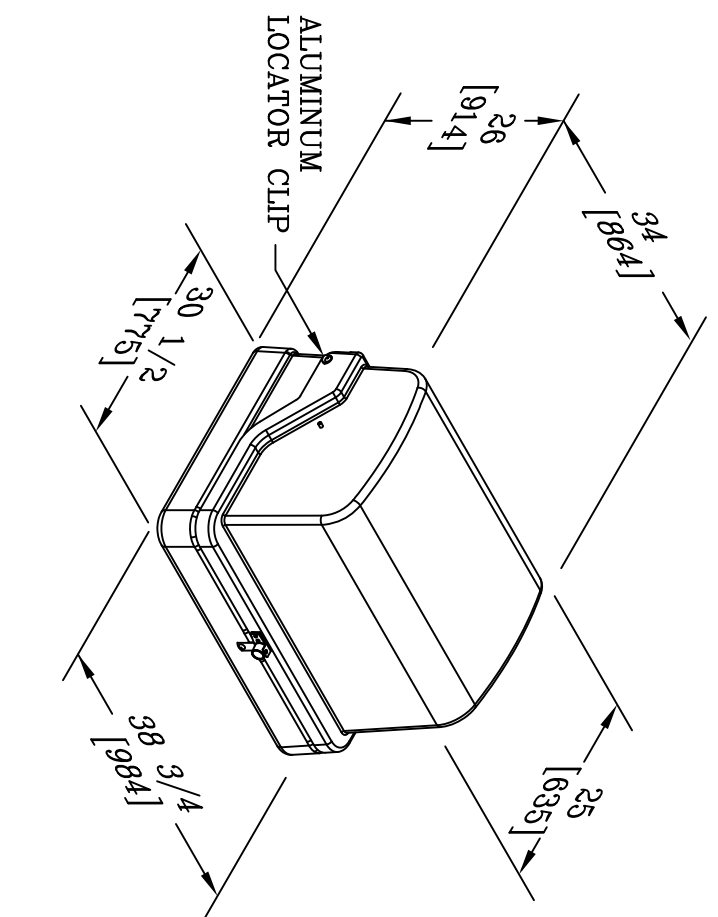


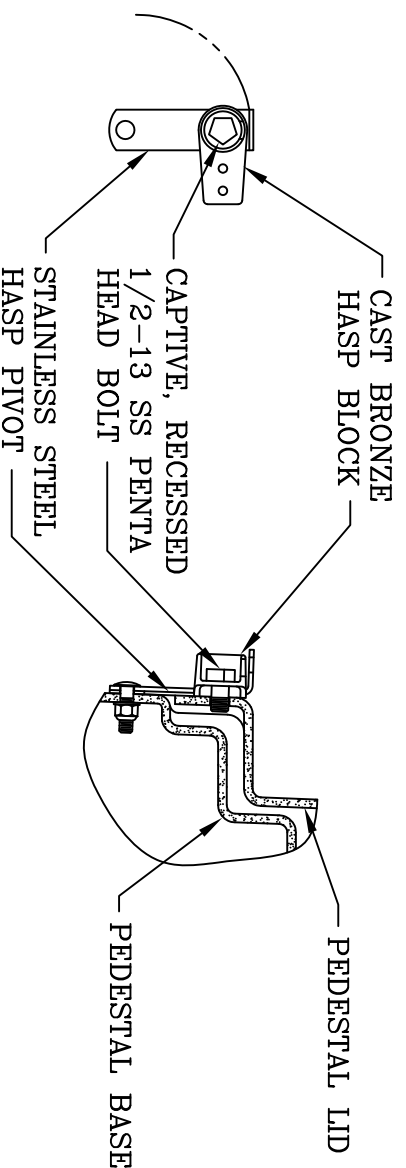
ITEM#	DESCRIPTION	QTY.
1	34X25X30 PRIMARY PEDESTAL	1
2	KIT, HASP ASS'Y DF3 PEDESTAL	1
3	34" JMB ASS'Y - INLINE STANDS	1
4	KIT, COVER WIND LOCK	2
5	GROUNDING LUG	1



MOUNTING HOLE  
LOCATION DETAIL  
(TOP VIEW SHOWN)

**NOTES:**

1. MOUNTING BAR WILL WITHSTAND A MINIMUM 400 LB. [181kg] LOADING TO INSTALL OR REMOVE ELBOWS.
2. JUNCTION MOUNTING MATERIAL IS ALUMINUM AND ALL MOUNTING HARDWARE IS STAINLESS STEEL.
3. MATERIAL & WORKMANSHIP PER WESTERN POWER PRODUCTS SPECIFICATION DATED JANUARY, 1990.
4. MATERIAL THICKNESS IS 1/4 [6].
5. A SMOOTH 12 [305] X 12 [305] SURFACE ON THE INSIDE OF THE COVER WILL BE PROVIDED FOR THE PLACEMENT LABELS



DF3 HASP DETAIL

DIMENSIONS ARE IN INCHES OR MILLIMETERS IN BRACKETS UNLESS OTHERWISE NOTED.

BY	DATE	WEIGHT	LOC
RLJ	1/18/12	84# 38kg	LC
CHK	2/13/12	SCALE	S
ENG	2/13/12	MTS	
APR	2/13/12	SIZE	
APR	2/13/12	B	
ESR OR PROJECT NUMBER 105336		DRAWING NUMBER P1342530MDL	
SHEET 1 OF 1		DRAWING NUMBER P1342530MDL	
		REV D 9/13	



3621 INDUSTRIAL PARK DR  
LENOIR CITY, TN 37771  
800-346-3062  
www.quazite.com

HUBBELL PRIMARY PEDESTAL  
34X25X30 MUNSELL GREEN