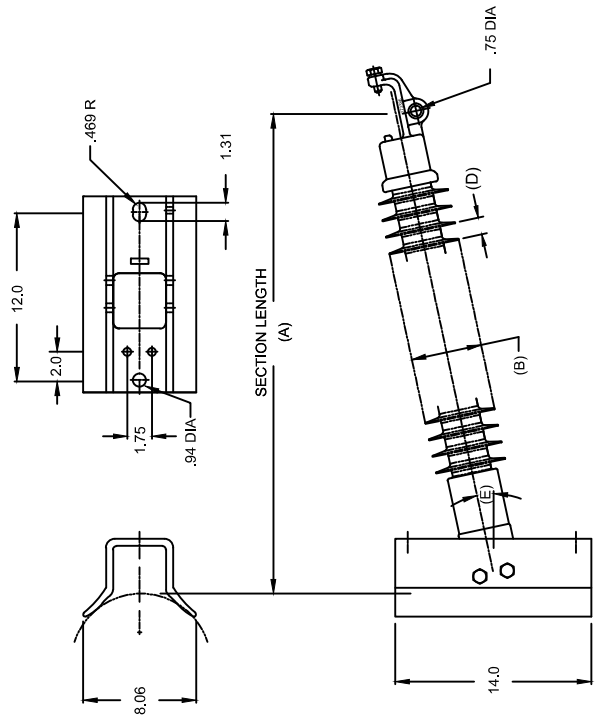


OHIO BRASS QUADRI*SIL LINE POST INSULATOR

CAT NO.: P250021S1020	
REV: 01	June 6, 2023



HUBBELL POWER SYSTEMS INC.
 CUSTOMER SERVICE: (573) 682-5521
www.hubbellpowersystems.com



MECHANICAL VALUES	LBS	KN
MAX DESIGN CANTILEVER LOAD (RCL)	2500	11.1
SPECIFIED CANTILEVER LOAD (SCL)	5000	22.2
ELECTRICAL VALUES		
60 HZ DRY FLASHOVER (DRY WITHSTAND)	220	-
60 HZ WET FLASHOVER (WET WITHSTAND)	200	(150)
CRITICAL IMPULSE FLASHOVER + (WITHSTAND)	340	(305)
CRITICAL IMPULSE FLASHOVER - (WITHSTAND)	455	(405)
RIV AT 115% SYSTEM VOLTAGE	<100	μ V
DIMENSIONAL VALUES		
SECTION LENGTH (A)	IN.	MM
MAJOR SHED DIAMETER (B)	35.3	897
MINOR SHED DIAMETER (C)	5.06	128.5
SHED SPACING (D)	-	-
DRY ARC DISTANCE	1.21	30.7
AVG. SHEATH THICKNESS	22	559
LEAKAGE DISTANCE	>0.118	>3
CORE ROD DIAMETER	57	1448
	2.50	63.5

OTHER DETAILS	
CORONA RING (TOWER)	NONE
CORONA RING (LINE)	N/A
TORQUE REQUIREMENTS	12 DEG
MOUNTING ANGLE (E)	18
NUMBER OF SHEDS	47 lbs.
WEIGHT	21 kg.

END FITTINGS AND MATERIALS
 TOWER END Gain - Al - 12in CL - 7/8 Bolts
 LINE END HORIZONTAL CLAMPTOP CAP / GALV STEEL

NOTES:
 1. SILICONE RUBBER SHEATH AND SHEDS. WASHABLE PER IEEE P957
 2. ELECTRICAL VALUES PER ANSI C29.11 (IEC 61952 IEC 62217)