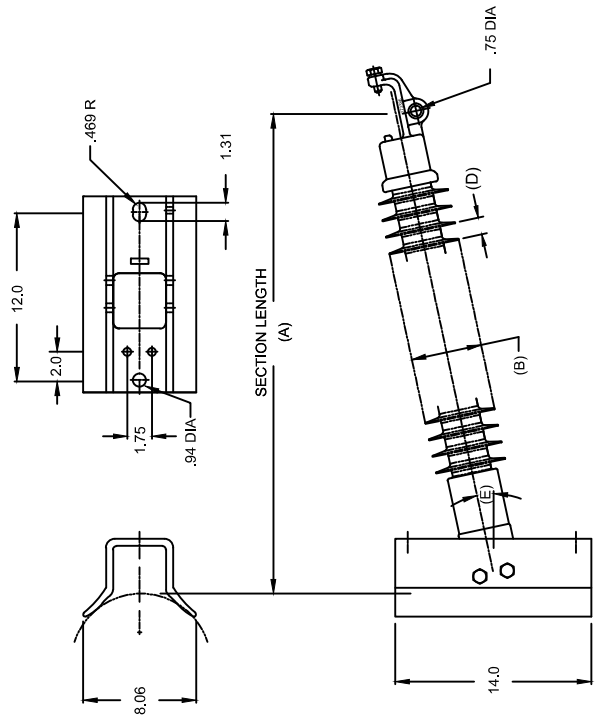


OHIO BRASS QUADRI\*SIL LINE POST INSULATOR

CAT NO.: P250024S1020	
REV: 01	June 6, 2023



HUBBELL POWER SYSTEMS INC.  
 CUSTOMER SERVICE: (573) 682-5521  
[www.hubbellpowersystems.com](http://www.hubbellpowersystems.com)



<b>MECHANICAL VALUES</b>	LBS	KN
MAX DESIGN CANTILEVER LOAD (RCL)	2500	11.1
SPECIFIED CANTILEVER LOAD (SCL)	5000	22.2
<b>ELECTRICAL VALUES</b>		
60 HZ DRY FLASHOVER (DRY WITHSTAND)	255	-
60 HZ WET FLASHOVER (WET WITHSTAND)	235	(175)
CRITICAL IMPULSE FLASHOVER + (WITHSTAND)	385	(345)
CRITICAL IMPULSE FLASHOVER - (WITHSTAND)	505	(450)
RIV AT 115% SYSTEM VOLTAGE	<100	$\mu$ V
<b>DIMENSIONAL VALUES</b>		
SECTION LENGTH (A)	IN.	MM
MAJOR SHED DIAMETER (B)	37.7	958
MINOR SHED DIAMETER (C)	5.06	128.5
SHED SPACING (D)	-	-
DRY ARC DISTANCE	1.21	30.7
AVG. SHEATH THICKNESS	25	635
LEAKAGE DISTANCE	>0.118	>3
CORE ROD DIAMETER	63	1600
	2.50	63.5

<b>OTHER DETAILS</b>	
CORONA RING (TOWER)	NONE
CORONA RING (LINE)	N/A
TORQUE REQUIREMENTS	12 DEG
MOUNTING ANGLE (E)	20
NUMBER OF SHEDS	48 lbs.
WEIGHT	22 kg.

**END FITTINGS AND MATERIALS**  
 TOWER END Gain - Al - 12in CL - 7/8 Bolts  
 LINE END HORIZONTAL CLAMPTOP CAP / GALV STEEL

**NOTES:**  
 1. SILICONE RUBBER SHEATH AND SHEDS. WASHABLE PER IEEE P957  
 2. ELECTRICAL VALUES PER ANSI C29.11 (IEC 61952 IEC 62217)