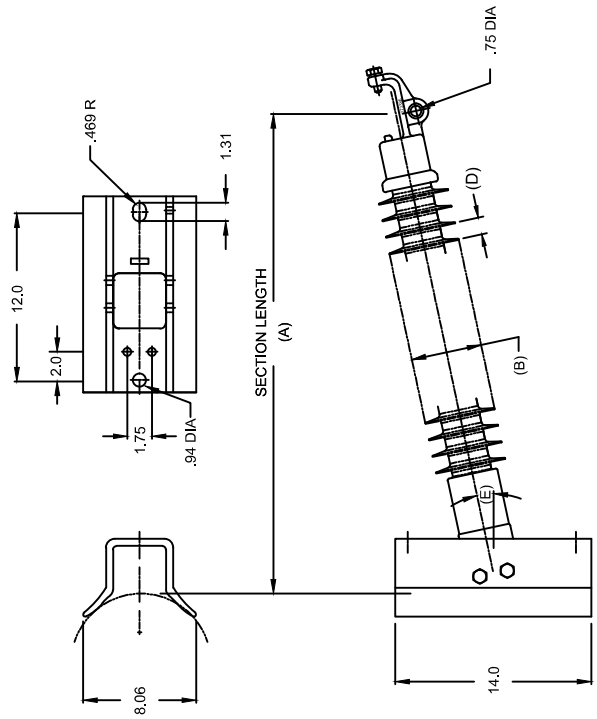


OHIO BRASS QUADRI\*SIL LINE POST INSULATOR

CAT NO.: P250038S1020	
REV: 01	June 6, 2023



HUBBELL POWER SYSTEMS INC.  
 CUSTOMER SERVICE: (573) 682-5521  
[www.hubbellpowersystems.com](http://www.hubbellpowersystems.com)



<b>MECHANICAL VALUES</b>	
MAX DESIGN CANTILEVER LOAD (RCL)	LBS 1775 KN 7.8
SPECIFIED CANTILEVER LOAD (SCL)	3550 15.7

<b>ELECTRICAL VALUES</b>	
60 HZ DRY FLASHOVER (DRY WITHSTAND)	KV 410 -
60 HZ WET FLASHOVER (WET WITHSTAND)	370 (275)
CRITICAL IMPULSE FLASHOVER + (WITHSTAND)	615 (550)
CRITICAL IMPULSE FLASHOVER - (WITHSTAND)	730 (655)
RIV AT 115% SYSTEM VOLTAGE	<100 μV

<b>DIMENSIONAL VALUES</b>	
SECTION LENGTH (A)	IN. 51.9 MM 1318
MAJOR SHED DIAMETER (B)	5.06 128.5
MINOR SHED DIAMETER (C)	-
SHED SPACING (D)	1.21 30.7
DRY ARC DISTANCE	39 991
AVG. SHEATH THICKNESS	>0.118 >3
LEAKAGE DISTANCE	101 2565
CORE ROD DIAMETER	2.50 63.5

<b>OTHER DETAILS</b>	
CORONA RING (TOWER)	NONE
CORONA RING (LINE)	N/A
TORQUE REQUIREMENTS	12 DEG
MOUNTING ANGLE (E)	32
NUMBER OF SHEDS	52 lbs.
WEIGHT	24 kg.

**END FITTINGS AND MATERIALS**  
 TOWER END Gain - Al - 12in CL - 7/8 Bolts  
 LINE END HORIZONTAL CLAMPTOP CAP / GALV STEEL

- NOTES:**
- SILICONE RUBBER SHEATH AND SHEDS. WASHABLE PER IEEE P957
  - ELECTRICAL VALUES PER ANSI C29.11 (IEC 61952 IEC 62217)