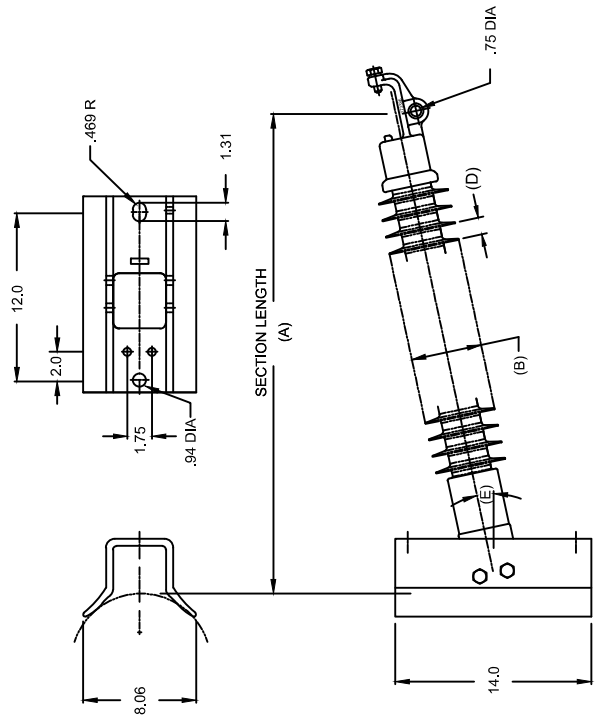


OHIO BRASS QUADRI\*SIL LINE POST INSULATOR

CAT NO.: P250048S1020	
REV: 01	June 6, 2023



HUBBELL POWER SYSTEMS INC.  
 CUSTOMER SERVICE: (573) 682-5521  
[www.hubbellpowersystems.com](http://www.hubbellpowersystems.com)



<b>MECHANICAL VALUES</b>	
MAX DESIGN CANTILEVER LOAD (RCL)	LBS 1460 KN 6.4
SPECIFIED CANTILEVER LOAD (SCL)	2920 12.9
<b>ELECTRICAL VALUES</b>	
60 HZ DRY FLASHOVER (DRY WITHSTAND)	515 -
60 HZ WET FLASHOVER (WET WITHSTAND)	450 (335)
CRITICAL IMPULSE FLASHOVER + (WITHSTAND)	770 (690)
CRITICAL IMPULSE FLASHOVER - (WITHSTAND)	880 (790)
RIV AT 115% SYSTEM VOLTAGE	<100 $\mu$ V
<b>DIMENSIONAL VALUES</b>	
SECTION LENGTH (A)	IN. 61.4 MM 1560
MAJOR SHED DIAMETER (B)	5.06 128.5
MINOR SHED DIAMETER (C)	-
SHED SPACING (D)	1.21 30.7
DRY ARC DISTANCE	49 1245
AVG. SHEATH THICKNESS	>0.118 >3
LEAKAGE DISTANCE	126 3200
CORE ROD DIAMETER	2.50 63.5

<b>OTHER DETAILS</b>	
CORONA RING (TOWER)	NONE
CORONA RING (LINE)	N/A
TORQUE REQUIREMENTS	12 DEG
MOUNTING ANGLE (E)	40
NUMBER OF SHEDS	55 lbs.
WEIGHT	25 kg.

- END FITTINGS AND MATERIALS**
- TOWER END Gain - Al - 12in CL - 7/8 Bolts
- LINE END HORIZONTAL CLAMPTOP CAP / GALV STEEL
- NOTES:**
- SILICONE RUBBER SHEATH AND SHEDS. WASHABLE PER IEEE P957
  - ELECTRICAL VALUES PER ANSI C29.11 (IEC 61952 IEC 62217)

CONFIDENTIAL: THIS DRAWING AND ITS CONTENTS ARE CONFIDENTIAL AND THE EXCLUSIVE PROPERTY OF HUBBELL POWER SYSTEMS. NO PUBLICATION, DISTRIBUTION OR COPIES MAY BE MADE WITHOUT THE WRITTEN CONSENT OF HUBBELL POWER SYSTEMS. HUBBELL POWER SYSTEMS UNPUBLISHED ALL RIGHTS RESERVED UNDER THE COPYRIGHT LAWS