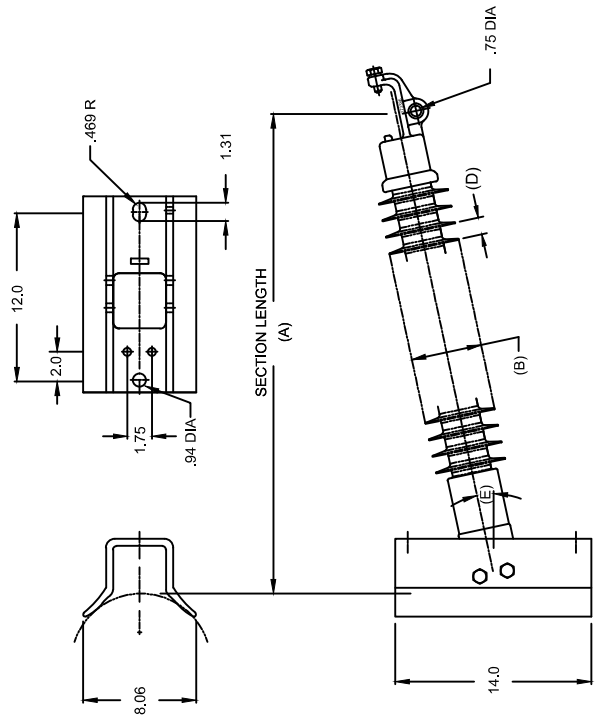


OHIO BRASS QUADRI*SIL LINE POST INSULATOR

CAT NO.: P250053S1020	
REV: 01	June 6, 2023



HUBBELL POWER SYSTEMS INC.
 CUSTOMER SERVICE: (573) 682-5521
www.hubbellpowersystems.com



MECHANICAL VALUES	LBS	KN
MAX DESIGN CANTILEVER LOAD (RCL)	1340	5.9
SPECIFIED CANTILEVER LOAD (SCL)	2680	11.9

ELECTRICAL VALUES	KV
60 HZ DRY FLASHOVER (DRY WITHSTAND)	565 -
60 HZ WET FLASHOVER (WET WITHSTAND)	495 (370)
CRITICAL IMPULSE FLASHOVER + (WITHSTAND)	855 (765)
CRITICAL IMPULSE FLASHOVER - (WITHSTAND)	950 (855)
RIV AT 115% SYSTEM VOLTAGE	<100 μ V

DIMENSIONAL VALUES	IN.	MM
SECTION LENGTH (A)	66.1	1679
MAJOR SHED DIAMETER (B)	5.06	128.5
MINOR SHED DIAMETER (C)	-	-
SHED SPACING (D)	1.21	30.7
DRY ARC DISTANCE	54	1372
AVG. SHEATH THICKNESS	>0.118	>3
LEAKAGE DISTANCE	139	3531
CORE ROD DIAMETER	2.50	63.5

OTHER DETAILS	
CORONA RING (TOWER)	NONE
CORONA RING (LINE)	N/A
TORQUE REQUIREMENTS	12 DEG
MOUNTING ANGLE (E)	44
NUMBER OF SHEDS	57 lbs.
WEIGHT	26 kg.

END FITTINGS AND MATERIALS
 TOWER END Gain - Al - 12in CL - 7/8 Bolts
 LINE END HORIZONTAL CLAMPTOP CAP / GALV STEEL

- NOTES:**
- SILICONE RUBBER SHEATH AND SHEDS. WASHABLE PER IEEE P957
 - ELECTRICAL VALUES PER ANSI C29.11 (IEC 61952 IEC 62217)

CONFIDENTIAL: THIS DRAWING AND ITS CONTENTS ARE CONFIDENTIAL AND THE EXCLUSIVE PROPERTY OF HUBBELL POWER SYSTEMS. NO PUBLICATION, DISTRIBUTION OR COPIES MAY BE MADE WITHOUT THE WRITTEN CONSENT OF HUBBELL POWER SYSTEMS. HUBBELL POWER SYSTEMS UNPUBLISHED ALL RIGHTS RESERVED UNDER THE COPYRIGHT LAWS