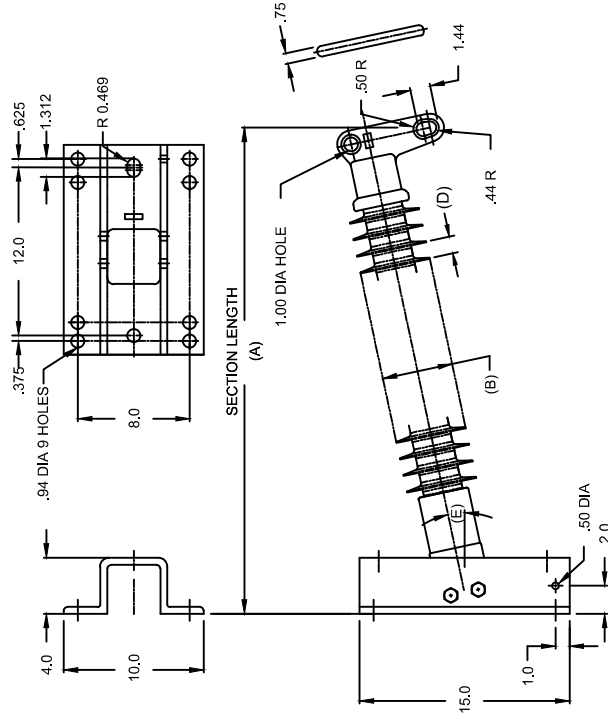


OHIO BRASS QUADRI\*SIL LINE POST INSULATOR

CAT NO.: P250055S9030	
REV: 01	June 6, 2023



HUBBELL POWER SYSTEMS INC.  
 CUSTOMER SERVICE: (573) 682-5521  
[www.hubbellpowersystems.com](http://www.hubbellpowersystems.com)



<b>MECHANICAL VALUES</b>	LBS	KN
MAX DESIGN CANTILEVER LOAD (RCL)	1300	5.7
SPECIFIED CANTILEVER LOAD (SCL)	2600	11.5
<b>ELECTRICAL VALUES</b>		
60 HZ DRY FLASHOVER (DRY WITHSTAND)	580	-
60 HZ WET FLASHOVER (WET WITHSTAND)	510	(380)
CRITICAL IMPULSE FLASHOVER + (WITHSTAND)	885	(795)
CRITICAL IMPULSE FLASHOVER - (WITHSTAND)	990	(890)
RIV AT 115% SYSTEM VOLTAGE	<100	$\mu$ V
<b>DIMENSIONAL VALUES</b>		
SECTION LENGTH (A)	IN.	MM
MAJOR SHED DIAMETER (B)	67.7	1720
MINOR SHED DIAMETER (C)	5.06	128.5
SHED SPACING (D)	-	-
DRY ARC DISTANCE	1.21	30.7
AVG. SHEATH THICKNESS	56	1422
LEAKAGE DISTANCE	>0.118	>3
CORE ROD DIAMETER	145	3683
	2.50	63.5

<b>END FITTINGS AND MATERIALS</b>	<b>OTHER DETAILS</b>
TOWER END Flat - Al - 8x10 - 7/8 Bolts	CORONA RING (TOWER) NONE
LINE END EXTENDED BLADE TOP CAP / GALV STEEL	CORONA RING (LINE) N/A
	TORQUE REQUIREMENTS 12 DEG
	MOUNTING ANGLE (E) 46
	NUMBER OF SHEDS 55 lbs.
	WEIGHT 25 kg.

- NOTES:
1. SILICONE RUBBER SHEATH AND SHEDS. WASHABLE PER IEEE P957
  2. ELECTRICAL VALUES PER ANSI C29.11 (IEC 61952 IEC 62217)

CONFIDENTIAL: THIS DRAWING AND ITS CONTENTS ARE CONFIDENTIAL AND THE EXCLUSIVE PROPERTY OF HUBBELL POWER SYSTEMS. NO PUBLICATION, DISTRIBUTION OR COPIES MAY BE MADE WITHOUT THE WRITTEN CONSENT OF HUBBELL POWER SYSTEMS. HUBBELL POWER SYSTEMS UNPUBLISHED ALL RIGHTS RESERVED UNDER THE COPYRIGHT LAWS