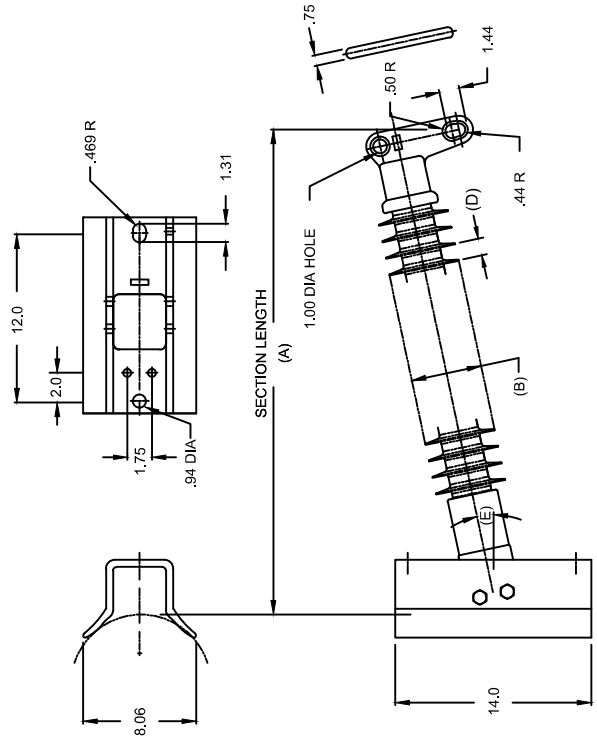


OHIO BRASS QUADRI*SIL LINE POST INSULATOR

CAT NO.: P250065S9020	
REV: 01	June 6, 2023



HUBBELL POWER SYSTEMS INC.
 CUSTOMER SERVICE: (573) 682-5521
www.hubbellpowersystems.com



MECHANICAL VALUES	LBS	KN
MAX DESIGN CANTILEVER LOAD (RCL)	1120	4.9
SPECIFIED CANTILEVER LOAD (SCL)	2240	9.9
ELECTRICAL VALUES		
60 HZ DRY FLASHOVER (DRY WITHSTAND)	675	-
60 HZ WET FLASHOVER (WET WITHSTAND)	580	(435)
CRITICAL IMPULSE FLASHOVER + (WITHSTAND)	1035	(930)
CRITICAL IMPULSE FLASHOVER - (WITHSTAND)	1140	(1025)
RIV AT 115% SYSTEM VOLTAGE	<100	μ V
DIMENSIONAL VALUES		
SECTION LENGTH (A)	IN.	MM
MAJOR SHED DIAMETER (B)	77.2	1961
MINOR SHED DIAMETER (C)	5.06	128.5
SHED SPACING (D)	-	-
DRY ARC DISTANCE	1.21	30.7
AVG. SHEATH THICKNESS	66	1676
LEAKAGE DISTANCE	>0.118	>3
CORE ROD DIAMETER	170	4318
	2.50	63.5

OTHER DETAILS	
CORONA RING (TOWER)	NONE
CORONA RING (LINE)	N/A
TORQUE REQUIREMENTS	12 DEG
MOUNTING ANGLE (E)	54
NUMBER OF SHEDS	63 lbs.
WEIGHT	29 kg.

END FITTINGS AND MATERIALS
 TOWER END Gain - Al - 12in CL - 7/8 Bolts
 LINE END EXTENDED BLADE TOP CAP / GALV STEEL

- NOTES:**
- SILICONE RUBBER SHEATH AND SHEDS. WASHABLE PER IEEE P957
 - ELECTRICAL VALUES PER ANSI C29.11 (IEC 61952 IEC 62217)

CONFIDENTIAL: THIS DRAWING AND ITS CONTENTS ARE CONFIDENTIAL AND THE EXCLUSIVE PROPERTY OF HUBBELL POWER SYSTEMS. NO PUBLICATION, DISTRIBUTION OR COPIES MAY BE MADE WITHOUT THE WRITTEN CONSENT OF HUBBELL POWER SYSTEMS. HUBBELL POWER SYSTEMS UNPUBLISHED ALL RIGHTS RESERVED UNDER THE COPYRIGHT LAWS