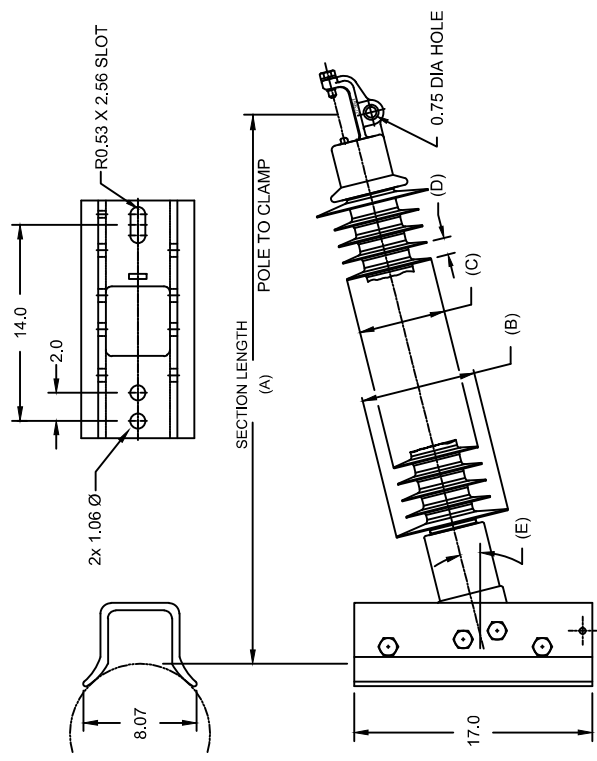


OHIO BRASS QUADRI***SIL** LINE POST INSULATOR

CAT NO.: P300047S1020	
REV: 01	June 6, 2023



HUBBELL POWER SYSTEMS INC.
 CUSTOMER SERVICE: (573) 682-5521
www.hubbellpowersystems.com



MECHANICAL VALUES		LBS	KN
MAX DESIGN CANTILEVER LOAD (RCL)		2500	11.1
SPECIFIED CANTILEVER LOAD (SCL)		5000	22.2
ELECTRICAL VALUES			
60 HZ DRY FLASHOVER (DRY WITHSTAND)		490	-
60 HZ WET FLASHOVER (WET WITHSTAND)		445	(330)
CRITICAL IMPULSE FLASHOVER + (WITHSTAND)		765	(685)
CRITICAL IMPULSE FLASHOVER - (WITHSTAND)		860	(770)
RIV AT 115% SYSTEM VOLTAGE		<100 μ V	
DIMENSIONAL VALUES			
SECTION LENGTH (A)		IN.	MM
MAJOR SHED DIAMETER (B)		60.6	1539.2
MINOR SHED DIAMETER (C)		8.20	208
SHED SPACING (D)		6.20	157
DRY ARC DISTANCE		1.21	30.7
AVG. SHEATH THICKNESS		49.7	1262.4
LEAKAGE DISTANCE		>0.118	>3
CORE ROD DIAMETER		149	3784.6
		3.00	76.2

OTHER DETAILS	
CORONA RING (TOWER)	NONE
CORONA RING (LINE)	NONE
TORQUE REQUIREMENTS	N/A
MOUNTING ANGLE (E)	14 DEG
NUMBER OF SHEDS	39
WEIGHT	65 lbs. 29 kg.

END FITTINGS AND MATERIALS
 TOWER END 14 IN - 1 GAIN BASE - ALUMINUM
 LINE END HORIZONTAL CLAMPTOP CAP / GALV STEEL

- NOTES:**
- SILICONE RUBBER SHEATH AND SHEDS. WASHABLE PER IEEE P957
 - ELECTRICAL VALUES PER ANSI C29.11 (IEC 61952 IEC 62217)

CONFIDENTIAL: THIS DRAWING AND ITS CONTENTS ARE CONFIDENTIAL AND THE EXCLUSIVE PROPERTY OF HUBBELL POWER SYSTEMS. NO PUBLICATION, DISTRIBUTION OR COPIES MAY BE MADE WITHOUT THE WRITTEN CONSENT OF HUBBELL POWER SYSTEMS. HUBBELL POWER SYSTEMS UNPUBLISHED ALL RIGHTS RESERVED UNDER THE COPYRIGHT LAWS