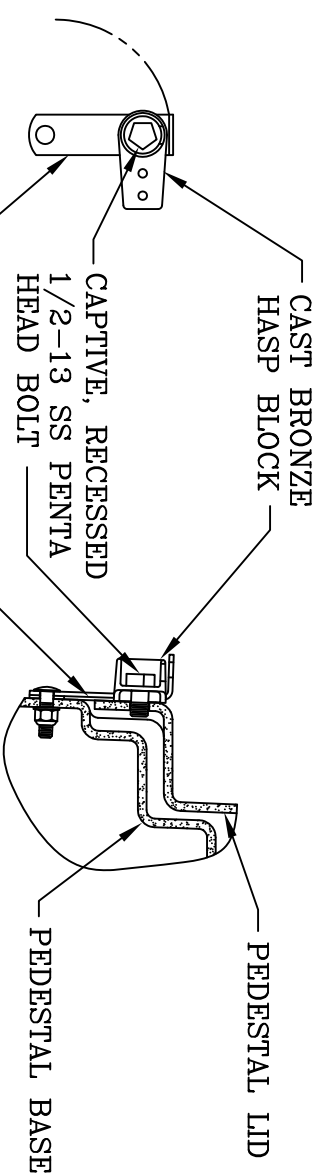


ITEM#	DESCRIPTION	QTY.
1	78X32X54 PRIMARY PEDESTAL	1
2	KIT, HASP ASS'Y DF-3 PEDESTAL	1
3	78" JMB ASS'Y - MODULAR PLATES	1
4	KIT, LIFTING EYE ASSEMBLY	4
5	KIT, COVER WIND LOCK	2
6	GROUNDING LUG	1



DF-3 HASP DETAIL

NOTES:

1. MOUNTING BAR WILL WITHSTAND A MINIMUM 400 LB. [181kg] LOADING TO INSTALL OR REMOVE ELBOWS.
2. JUNCTION MOUNTING MATERIAL IS ALUMINUM AND ALL MOUNTING HARDWARE IS STAINLESS STEEL.
3. MATERIAL & WORKMANSHIP PER WESTERN POWER PRODUCTS SPECIFICATION DATED JANUARY, 1990.
4. MATERIAL THICKNESS IS 1/4 [6].
5. A SMOOTH 12 [305] X 12 [305] SURFACE ON THE INSIDE OF THE COVER WILL BE PROVIDED FOR THE PLACEMENT LABELS.

DIMENSIONS ARE IN INCHES OR MILLIMETERS IN BRACKETS UNLESS OTHERWISE NOTED.

BY	DATE	WEIGHT		3621 INDUSTRIAL PARK DR LENOIR CITY, TN 37771 800-346-3062 www.quazite.com	LOC
DRN	1/23/12	313# 142kg			LC
CHK	2/13/12	SCALE	HUBBELL® PRIMARY PEDESTAL 78X32X54 MUNSELL GREEN MODULAR PLATES	REV B	5/12
ENG	2/13/12	MTS			
APR	2/13/12	SIZE	B		
APR	2/13/12				
PROJECT NUMBER		105336		DRAWING NUMBER	
				P3783254MDM	
SHEET		1 OF 1			