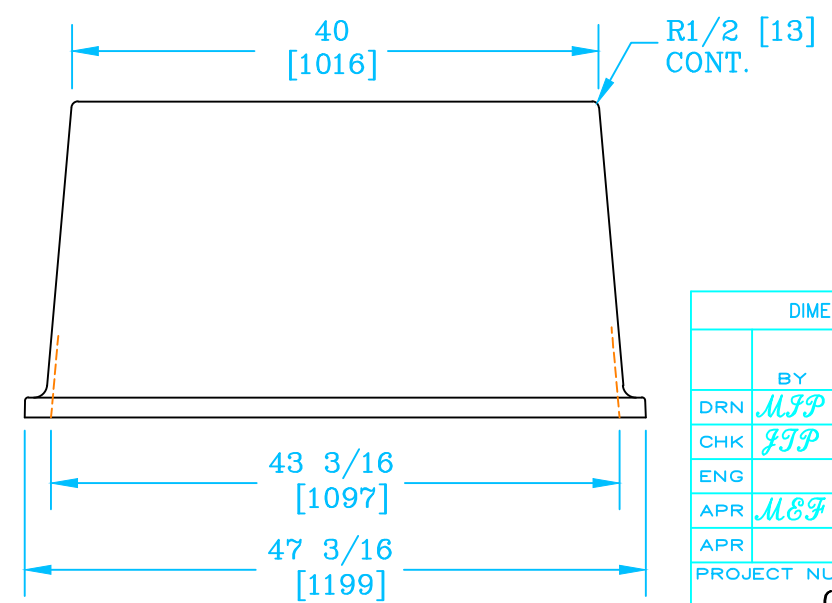
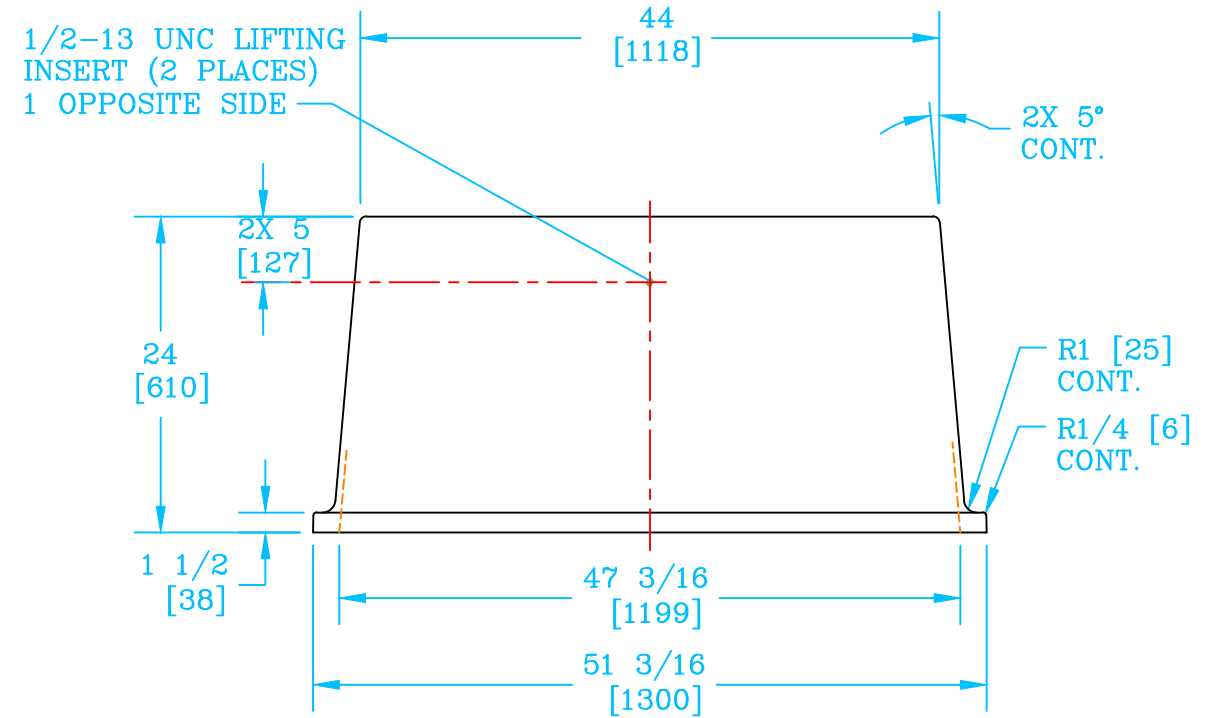


**CUSTOMER APPROVAL**

APPROVED BY: \_\_\_\_\_

DATE: \_\_\_\_\_



- NOTE:**
1. CUSTOMER IS GA DOT.
  2. DIMENSIONS IN BRACKETS ARE IN MILLIMETERS UNLESS NOTED OTHERWISE.

DIMENSIONS ARE IN INCHES OR MILLIMETERS IN BRACKETS UNLESS OTHERWISE NOTED.

DRN	BY	DATE	WEIGHT	3621 INDUSTRIAL PARK DR LENOIR CITY, TN 37771 800-346-3062 www.quazite.com	LOC
CHK	MEP	4/25/06	375# 170kg		S
ENG	JJP	4/26/06	SCALE	DRAWING DESCRIPTION	REV
APR	MEP	4/26/06	3/4"=1'		F
APR			SIZE B		8/07
PROJECT NUMBER			DRAWING NUMBER		
06286			PB40441323A24		
SHEET 1 OF 1					