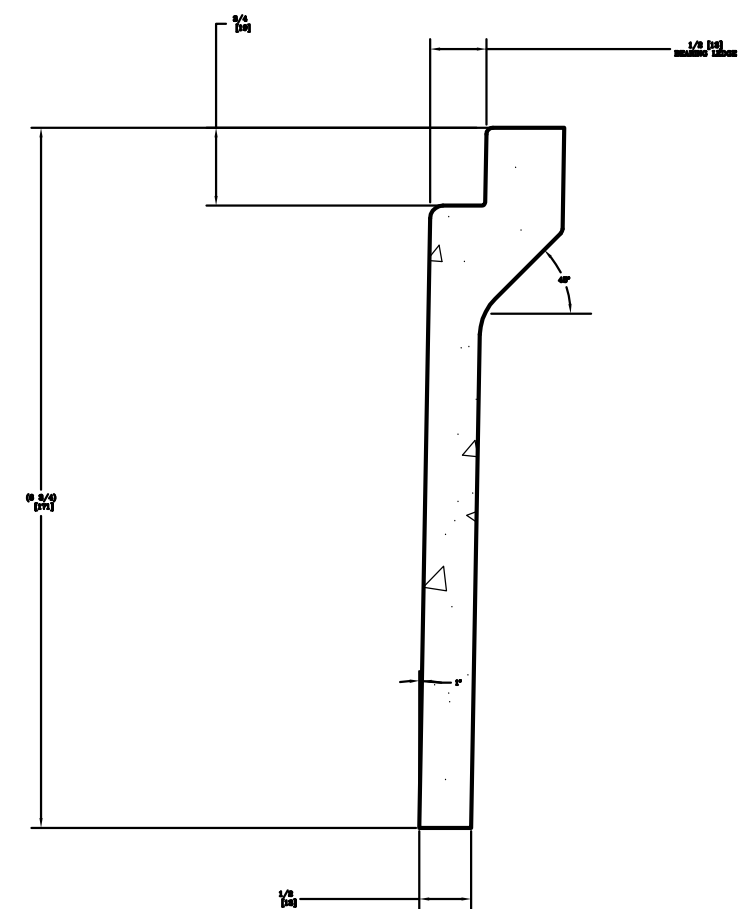
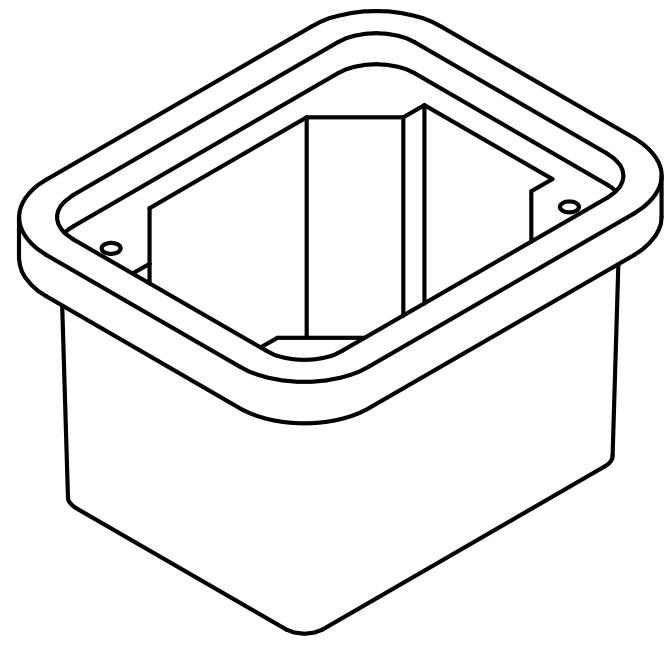
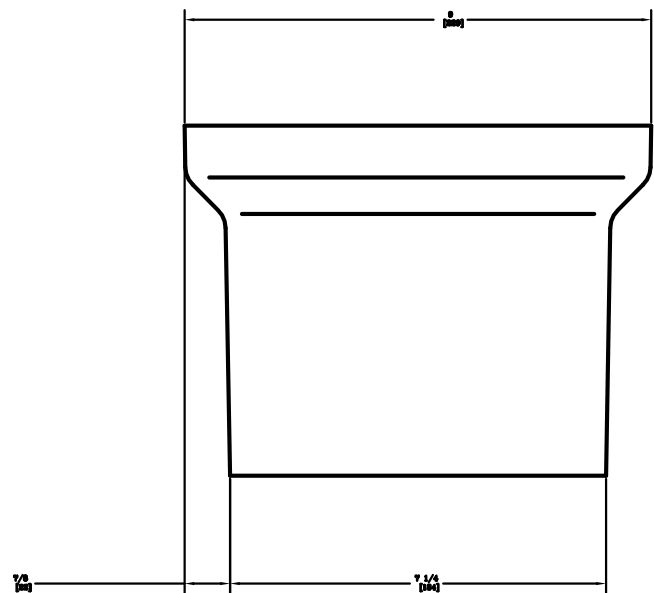
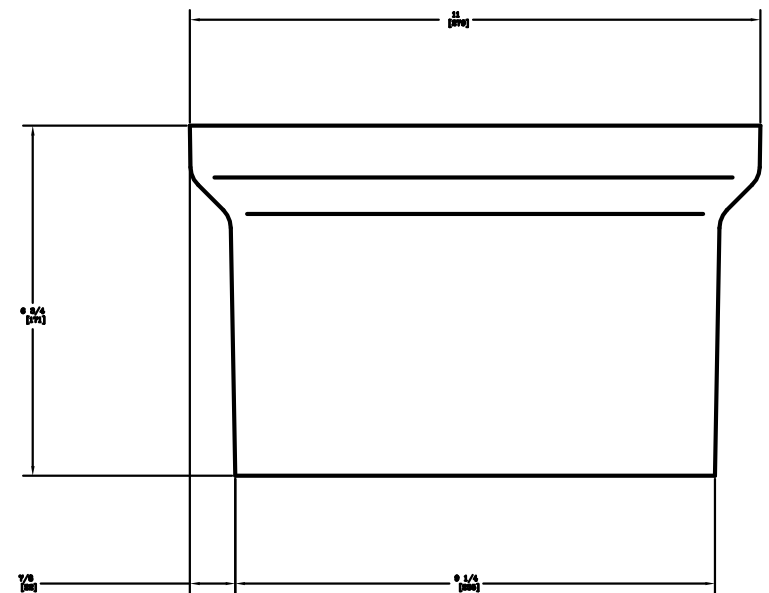


3/8-7 SELF ALIGNING,
REPLACEABLE S.S. EZ-NUT
2 PLACES



SECTION A-A
SCALE: HALF



NOTE:

1. DIMENSIONS IN BRACKETS ARE IN MILLIMETERS
UNLESS NOTED OTHERWISE.



DIMENSIONS ARE IN INCHES OR MILLIMETERS IN BRACKETS UNLESS OTHERWISE NOTED.				HUBBELL® 3621 INDUSTRIAL PARK DR LENOIR CITY, TN 37771 800-346-3062 www.quazite.com		LOC
DRN	BY	DATE	WEIGHT	DRAWING DESCRIPTION	QUAZITE® BOX	S
CHK	MBF	2/2/94	12#			REV
ENG	MS	3/14/94	5kg			F
APR	FMS	3/14/94	SCALE			3/12
APR			3"=1'			
PROJECT NUMBER			SIZE	DRAWING NUMBER		
94033			B	PC0608BA06		
SHEET 1 OF 1						