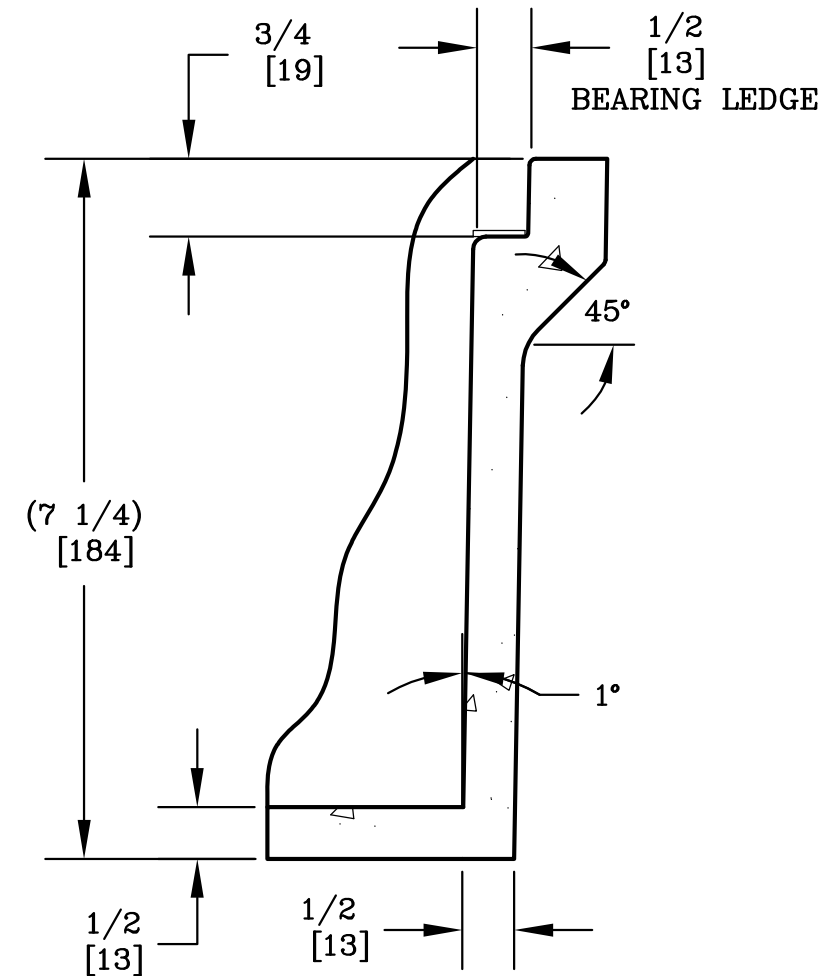
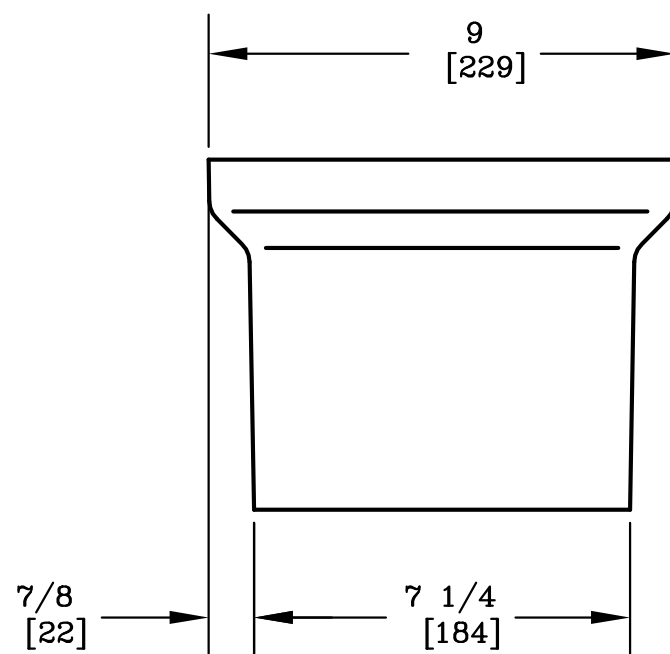
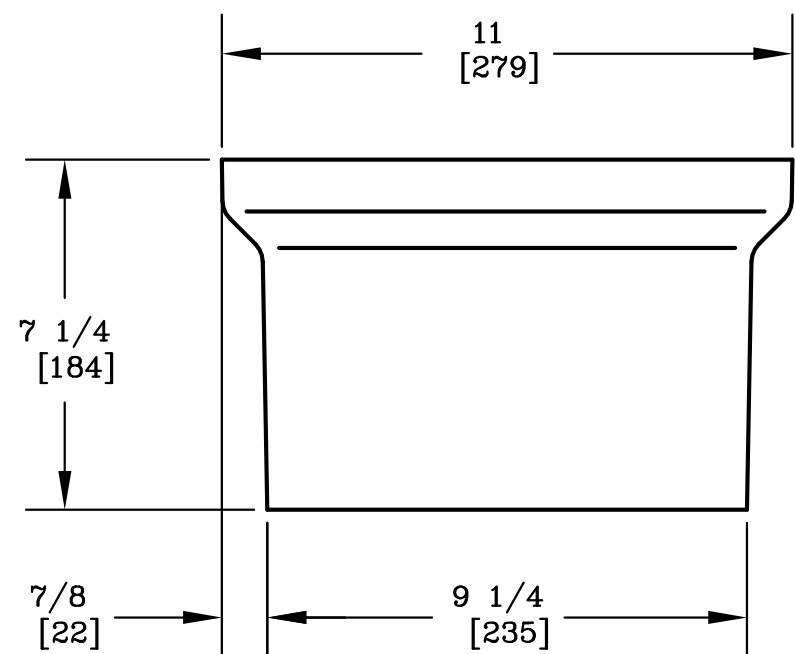


3/8-7 SELF ALIGNING,  
REPLACEABLE S.S. EZ-NUT  
4 PLACES




**SECTION A-A**  
SCALE: HALF

**NOTE:**

1. DIMENSIONS IN BRACKETS ARE IN MILLIMETERS  
UNLESS NOTED OTHERWISE.



DIMENSIONS ARE IN INCHES OR MILLIMETERS IN BRACKETS UNLESS OTHERWISE NOTED.					
DRN	BY	DATE	WEIGHT	 3621 INDUSTRIAL PARK DR LENOIR CITY, TN 37771 800-346-3062 www.quazite.com	LOC
CHK	WRJ	7/24/00	14.5# 6.6kg		S
ENG			SCALE	<b>QUAZITE®</b> <b>BOX</b>	REV
APR			3"=1'		B
APR			SIZE		3/12
PROJECT NUMBER			DRAWING NUMBER		
00519			PC0608DG06		
SHEET 1 OF 1					