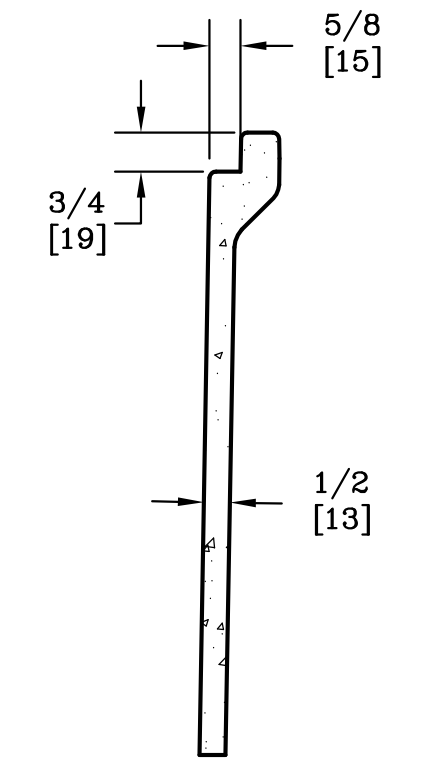
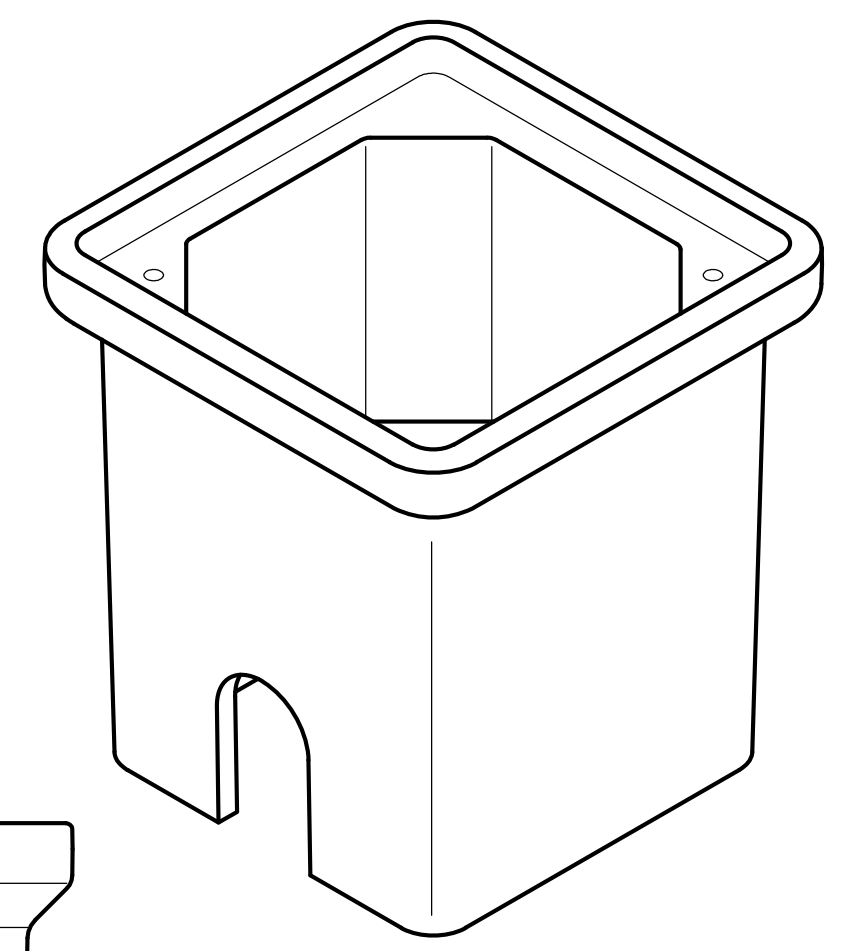


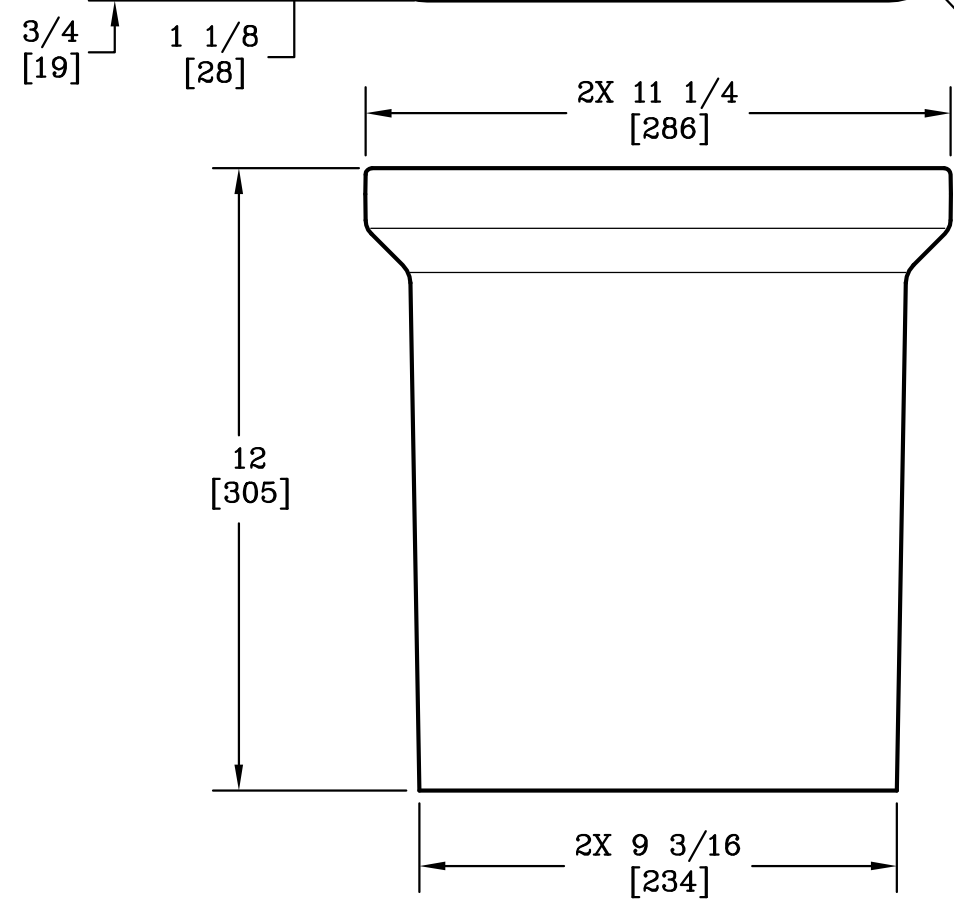
A
↑

A
↑

3/8-7 SELF ALIGNING,
REPLACEABLE S.S. EZ-NUT
2 PLACES




SECTION A-A



2 1/2 [64] X 4 [102] MOUSEHOLE
(ONE CENTERED OPPOSITE SIDE)

NOTE:

1. DIMENSIONS IN BRACKETS ARE IN MILLIMETERS UNLESS NOTED OTHERWISE.

DIMENSIONS ARE IN INCHES OR MILLIMETERS IN BRACKETS UNLESS OTHERWISE NOTED.				 3621 INDUSTRIAL PARK DR LENOIR CITY, TN 37771 800-346-3062 www.quazite.com	LOC	
DRN	BY	DATE	WEIGHT		DRAWING DESCRIPTION	REV
CHK	ENG	SCALE	25# 11kg	QUAZITE[®] BOX		B
APR	APR	SIZE	3"=1'			3/12
APR		B				
PROJECT NUMBER						DRAWING NUMBER
06923			SHEET 1 OF 1	PC0808BB12		