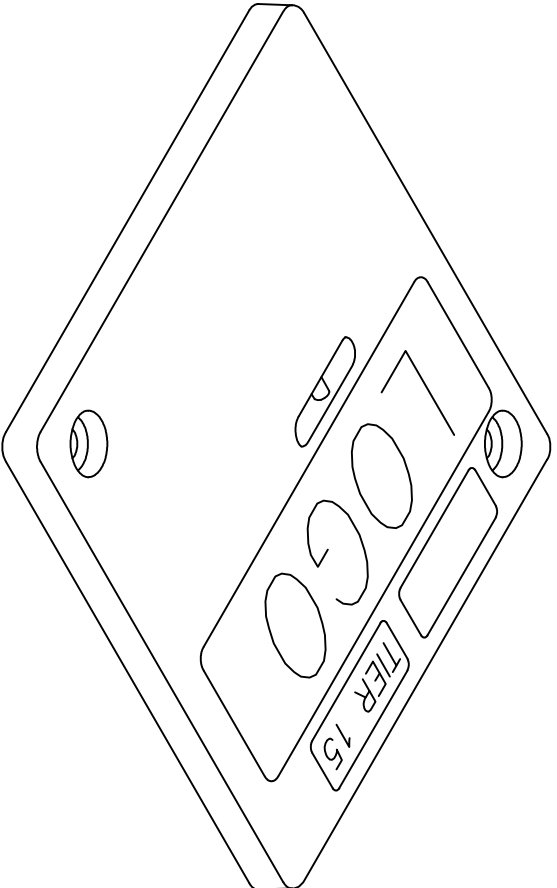


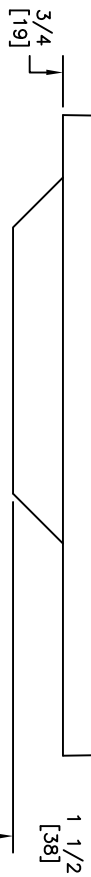
2x ø1/2 [13] THRU W/ø1 [25] X 3/8 [10] DEEP COUNTERBORE



NOTES:

1. LOGO TO BE SPECIFIED: _____.
2. FURNISHED WITH (2) 3/8-7 X 1 3/4 [44] LG. S.S. HEX HEAD BOLTS, (2) ø3/8 [10] S.S. FLAT WASHERS, AND (2) ø3/8 [10] GROMMETS.
3. THIS COVER IS RATED FOR A STATIC DESIGN LOAD OF 15,000 LBS. [66,720 N] OVER A 10 [254] X 10 [254] AREA AND MUST PASS A MIN. STATIC LOAD TEST LOAD TEST OF 22,500 LBS. [100,080 N]
4. DIMENSIONS IN BRACKETS ARE IN MILLIMETERS UNLESS OTHERWISE SPECIFIED.

DIMENSIONS ARE IN INCHES OR MILLIMETERS IN BRACKETS UNLESS OTHERWISE NOTED.



DATE	BY	UNITS	SCALE	PRODUCT NUMBER	REV
03/11	9/99	6#	3kg	07504	S
DATE	BY	UNITS	SCALE	PRODUCT NUMBER	REV
07/07	9/3	HALF	12#	07504	B
DATE	BY	UNITS	SCALE	PRODUCT NUMBER	REV
07/07	11/35	B	12#	07504	B
DATE	BY	UNITS	SCALE	PRODUCT NUMBER	REV
07/07	11/35	B	12#	07504	9/12

UNLESS OTHERWISE SPECIFIED