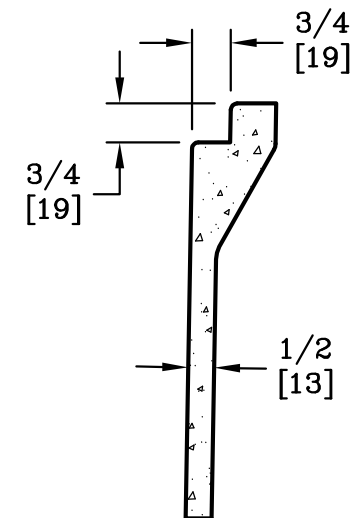
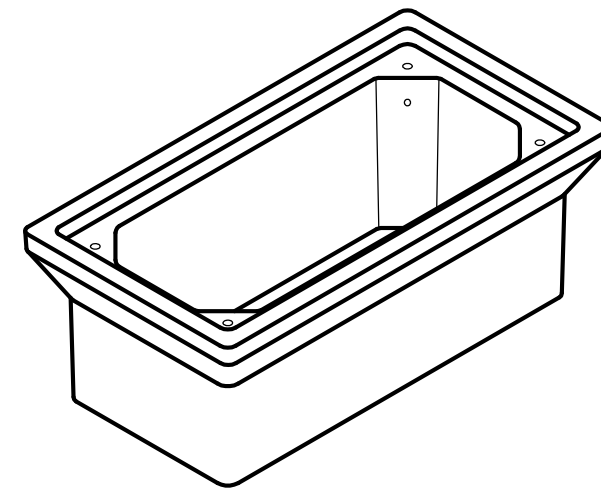
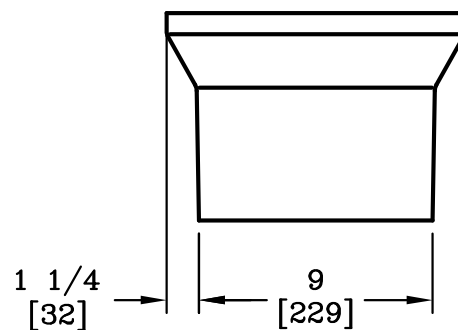
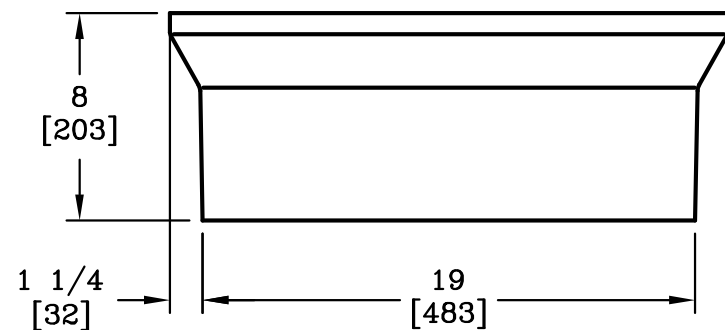


3/8-7 SELF ALIGNING,
REPLACEABLE S.S. EZ-NUT
4 PLACES




SECTION A-A
SCALE: 3"=1'



NOTE:

1. DIMENSIONS IN BRACKETS ARE IN MILLIMETERS UNLESS NOTED OTHERWISE.



DIMENSIONS ARE IN INCHES OR MILLIMETERS IN BRACKETS UNLESS OTHERWISE NOTED.					
DRN	BY	DATE	WEIGHT	 3621 INDUSTRIAL PARK DR LENOIR CITY, TN 37771 800-346-3062 www.quazite.com	LOC
			27# 12kg		
CHK			SCALE	DRAWING DESCRIPTION	S
ENG			1 1/2"=1'		REV
APR			SIZE		
APR			B		
PROJECT NUMBER				QUAZITE[®] BOX	E
88260					3/12
SHEET 1 OF 1				DRAWING NUMBER	
				PC0818BA08	