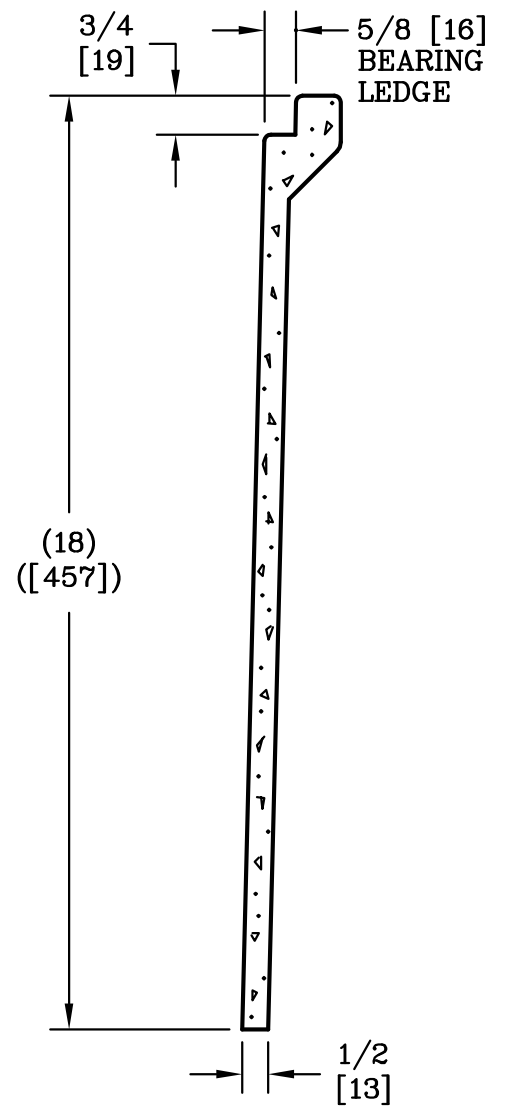
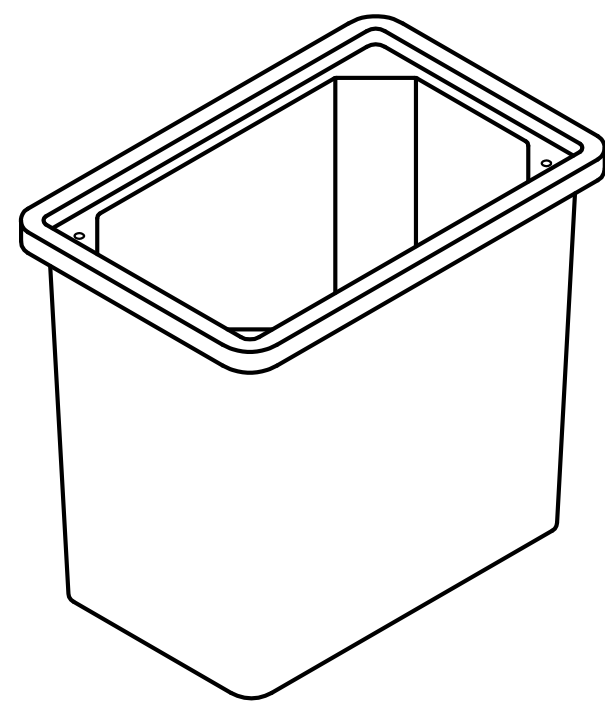
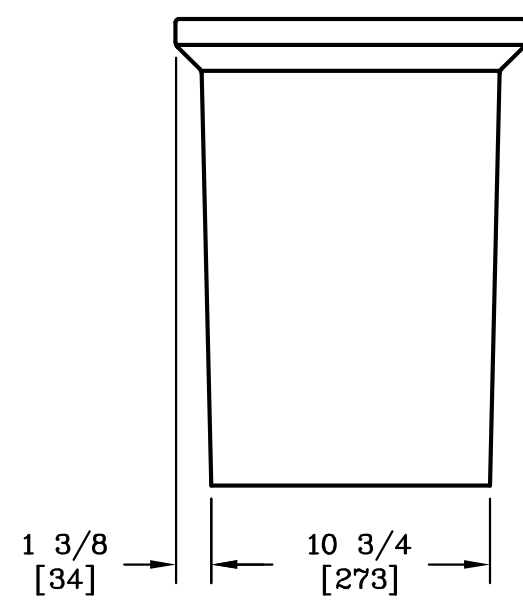
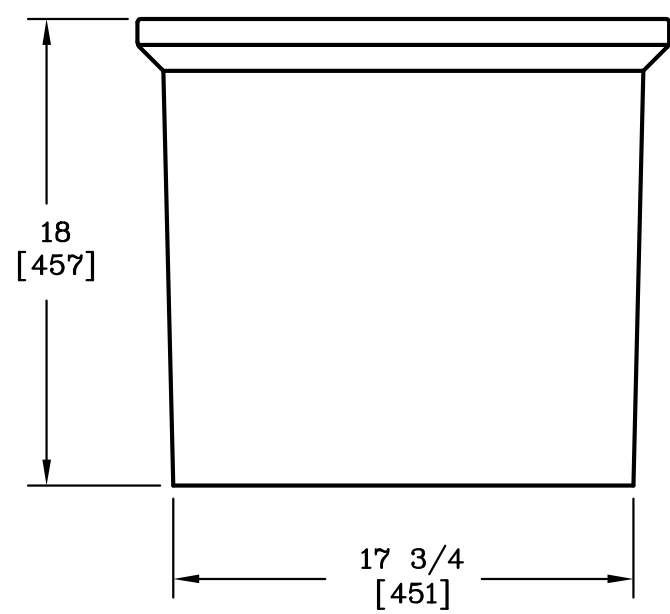


3/8-7 SELF ALIGNING,
REPLACEABLE S.S. EZ-NUT
2 PLACES



SECTION A-A
SCALE 3"=1'



NOTE:

1. DIMENSIONS IN BRACKETS ARE IN MILLIMETERS UNLESS OTHERWISE NOTED.



DIMENSIONS ARE IN INCHES OR MILLIMETERS IN BRACKETS UNLESS OTHERWISE NOTED.				3621 INDUSTRIAL PARK DR LENOIR CITY, TN 37771 800-346-3062 www.quazite.com	LOC
DRN	BY	DATE	WEIGHT		DRAWING DESCRIPTION
CHK	ENG	APR	APR	SCALE	
				1 1/2"=1'	
				SIZE	H
				B	3/12
PROJECT NUMBER				DRAWING NUMBER	
90078				PC1118BA18	
SHEET 1 OF 1					