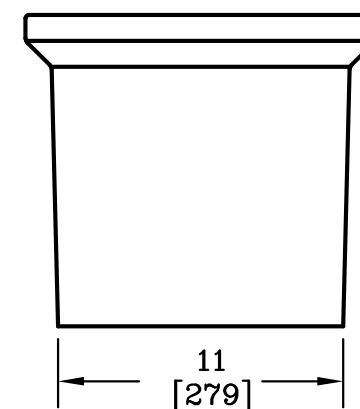
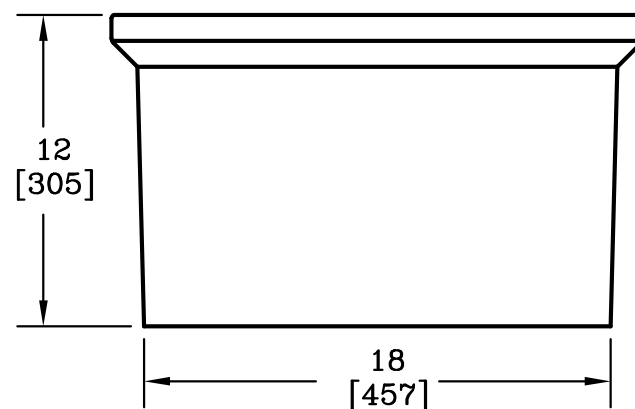


**SECTION A-A**

SCALE: 3"=1'



**NOTE:**

- 1. DIMENSIONS IN BRACKETS ARE IN MILLIMETERS UNLESS OTHERWISE NOTED.



DIMENSIONS ARE IN INCHES OR MILLIMETERS IN BRACKETS UNLESS OTHERWISE NOTED.				3621 INDUSTRIAL PARK DR LENOIR CITY, TN 37771 800-346-3062 www.quazite.com	LOC
DRN	BY	DATE	WEIGHT		LC
CHK	ENG	APR	APR	DRAWING DESCRIPTION <b>QUAZITE® 11 X 18 X 12 BOX</b> <b>W/GASKET</b>	REV
APR	APR	APR	APR		D
PROJECT NUMBER				DRAWING NUMBER	
90075				PC1118BG12	
SHEET 1 OF 1					